

# INSTALLATION INSTRUCTIONS

**AA2000, AA2001, AA3000 AND  
AA3001 HOUSE SIDE SHIELD**  
Sheet 1 of 1

**3/11/03 IMI-549**

**IMPORTANT:** Read carefully before installing fixture. Retain for future reference.

**General:** Upon receipt of the fixture, thoroughly inspect for any freight damage, which should be brought to the attention of the delivery carrier. Compare the catalog description listed on the packing slip with the fixture label on the housing to assure you have received the correct merchandise.

**Safety:** This fixture must be wired in accordance with the national electrical code and applicable local codes and ordinances. Proper grounding is required to insure personal safety. Carefully observe grounding procedure under installation section. All work should be done by a qualified electrician.

**WARNING:** Make certain power is OFF before starting installation or attempting any maintenance.

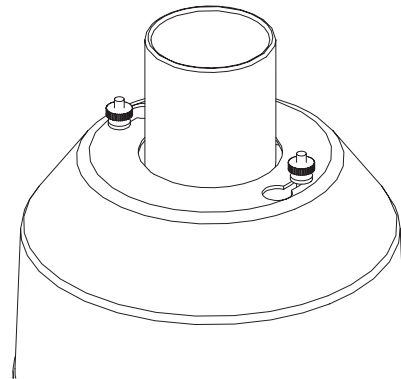
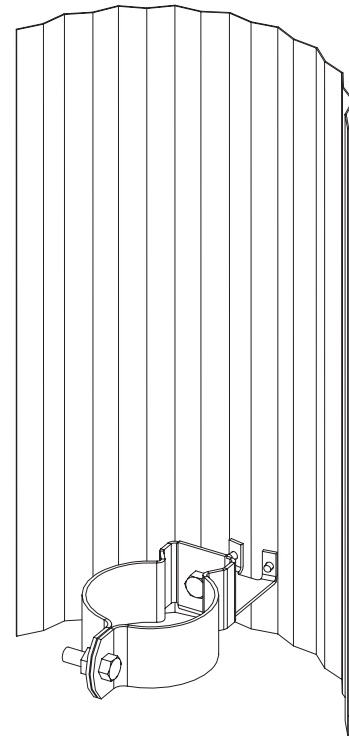
**ATTENTION: READ INSTRUCTION SHEET IMI-455  
AND IMI-485 FOR COMPLETE  
LUMINAIRE INSTALLATION  
INSTRUCTIONS.**

**NOTE:** Remove shield from packaging and inspect for any damage that may have occurred during shipping.

## HOUSE SIDE SHIELD INSTALLATION

1. Lamp must be removed prior to installation.
2. Loosen bolt on house side shield bracket slightly to allow easy installation onto socket.
3. Once installed on socket, rotate shield and bracket to the desired location.
4. Firmly tighten screw on bracket to secure in location.
5. Replace refractor and install per luminaire instructions.

**NOTE:** House side shield and lamp must be removed prior to replacement of power pack.



These instructions do not claim to cover all details or variations in the equipment, procedure, or process described, nor to provide directions for meeting every possible contingency during installation, operation or maintenance. When additional information is desired to satisfy a problem not covered sufficiently for user's purpose, please contact your nearest representative.