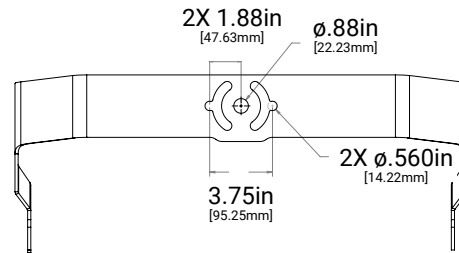
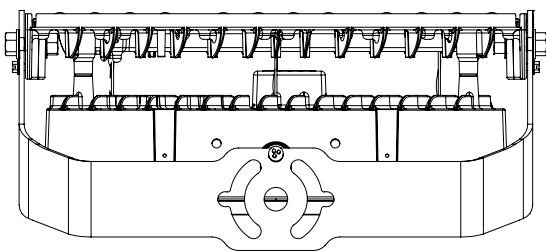
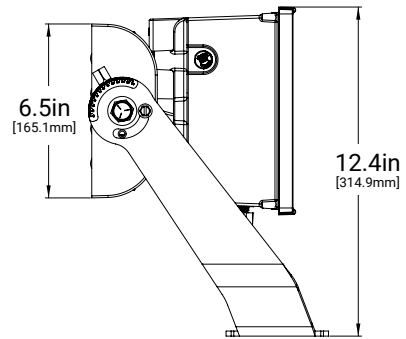
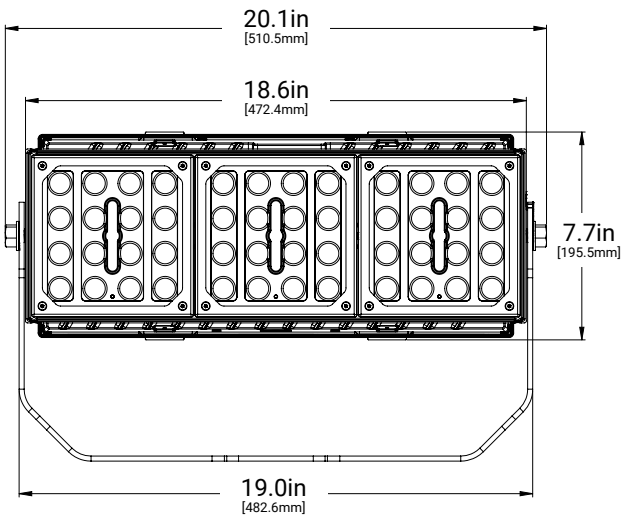
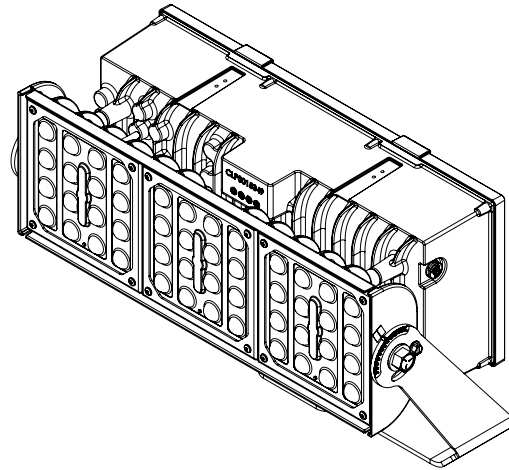
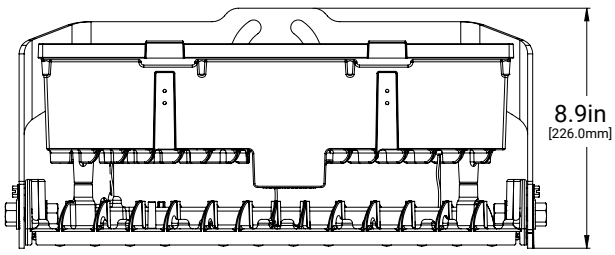


Dimensional & Mounting Details

MODEL: 3 Square

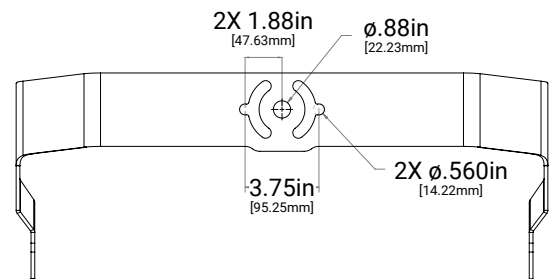
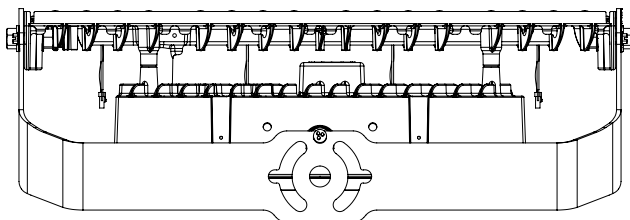
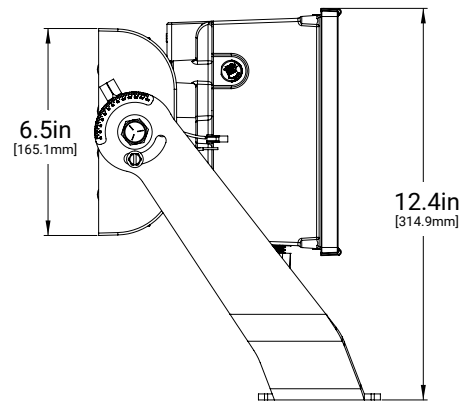
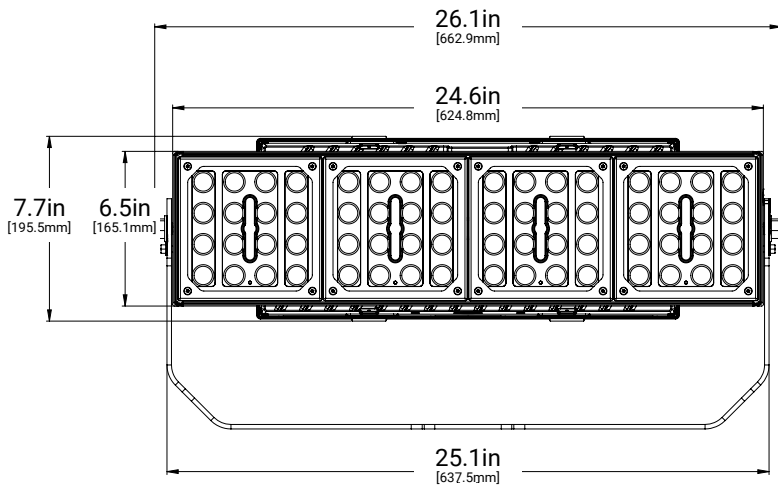
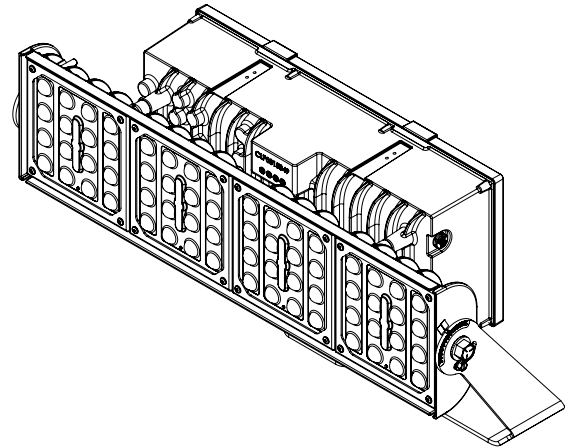
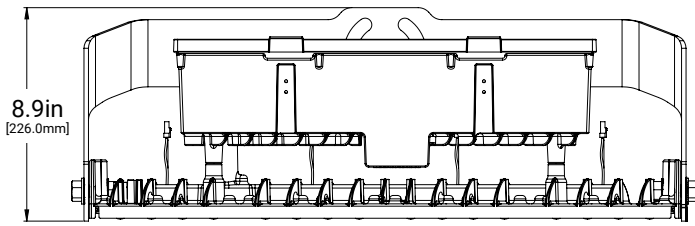
MOUNT TYPE: Yoke Mount



Dimensional & Mounting Details

MODEL: 4 Square

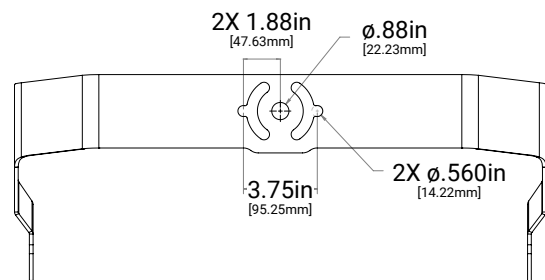
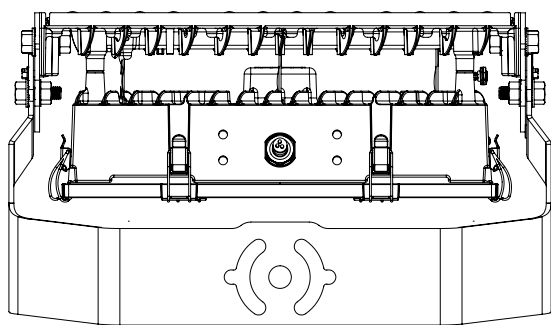
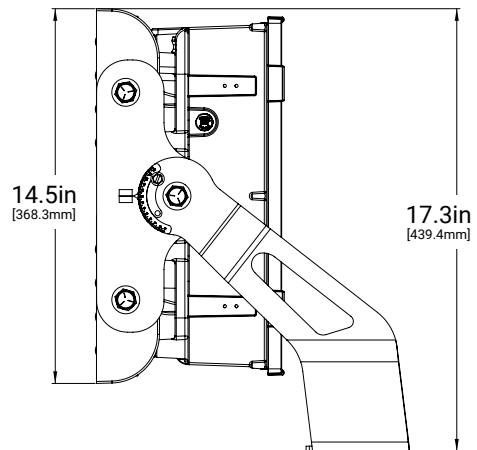
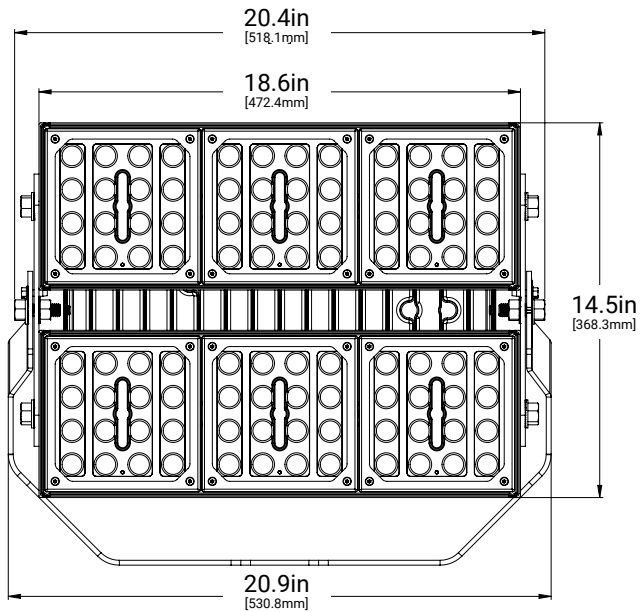
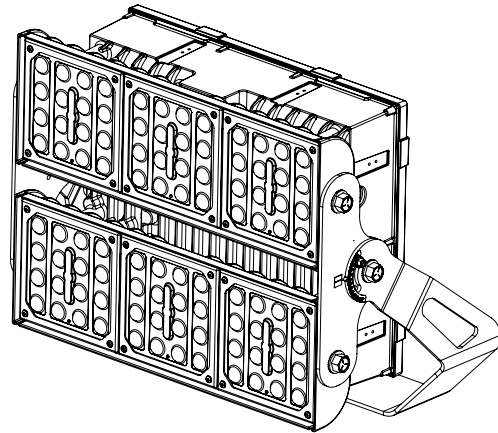
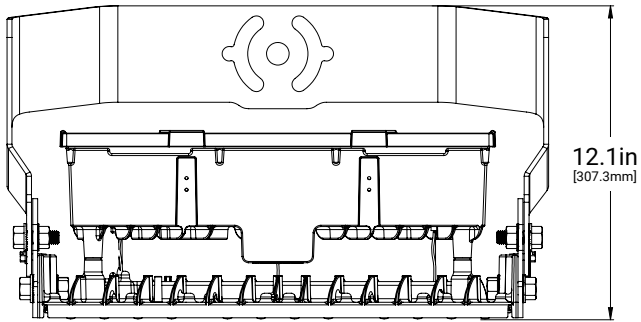
MOUNT TYPE: Yoke Mount



Dimensional & Mounting Details

MODEL: 6 Square

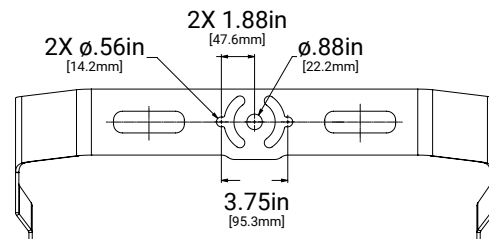
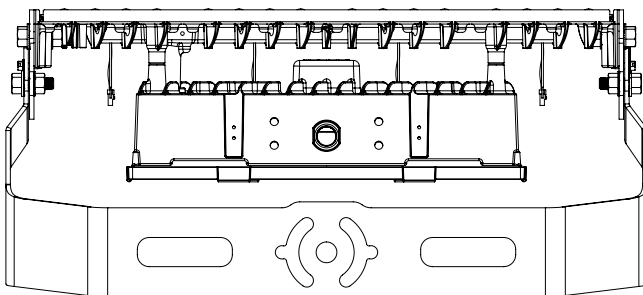
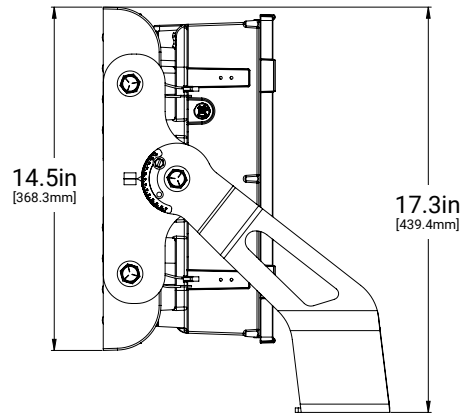
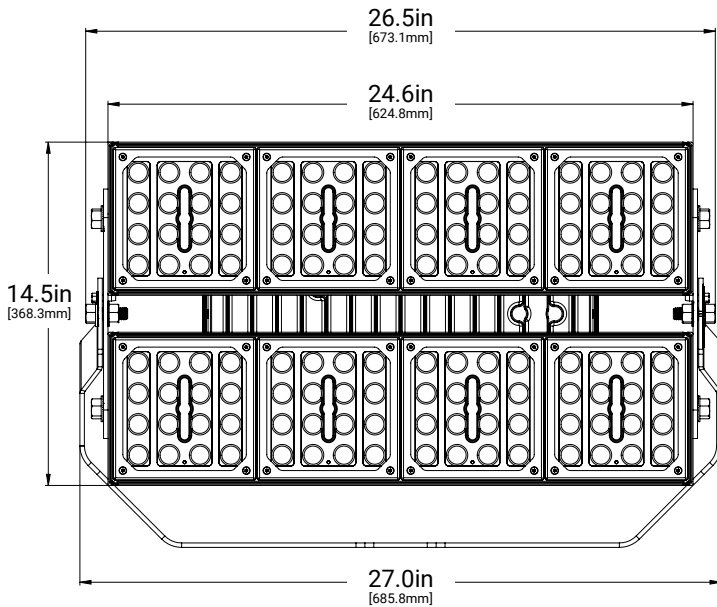
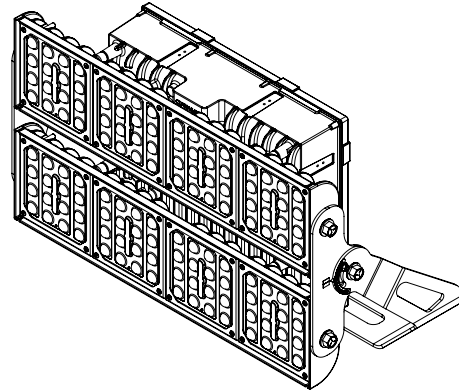
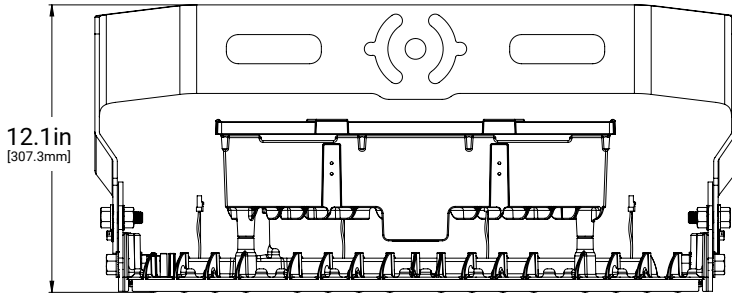
MOUNT TYPE: Yoke Mount



Dimensional & Mounting Details

MODEL: 7 & 8 Square (8 square shown)

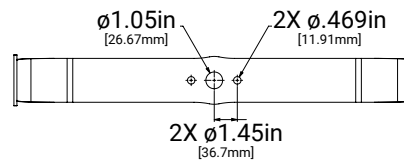
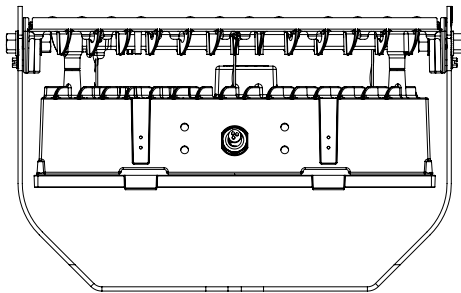
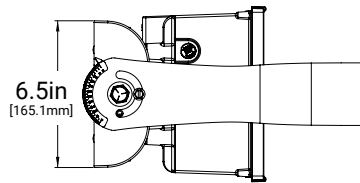
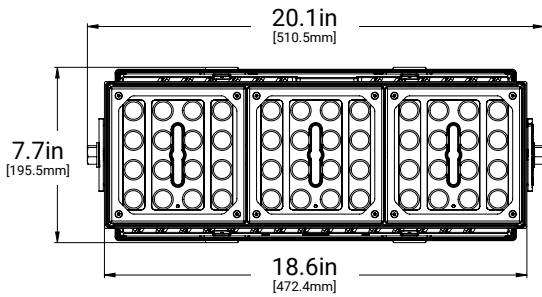
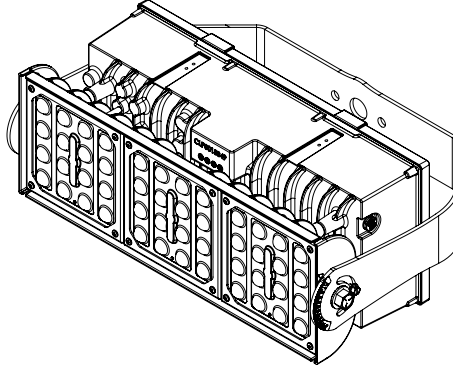
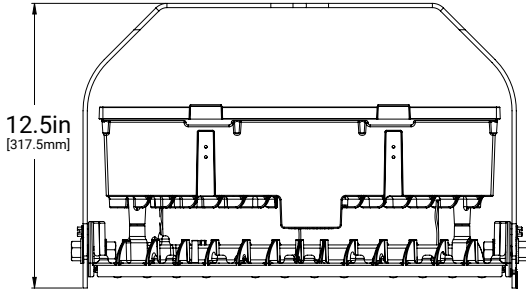
MOUNT TYPE: Yoke Mount



Dimensional & Mounting Details

MODEL: 3 Square

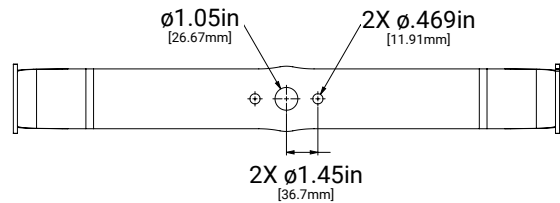
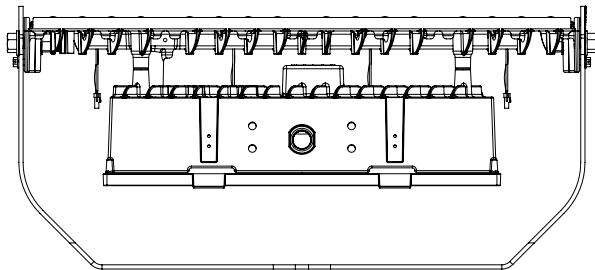
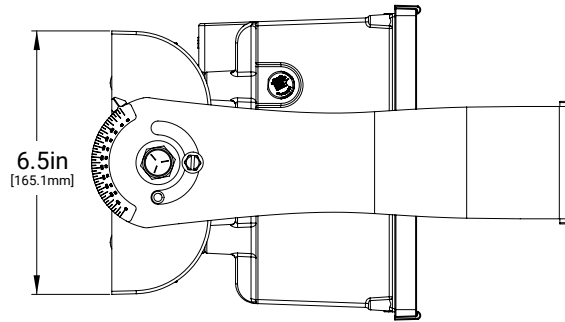
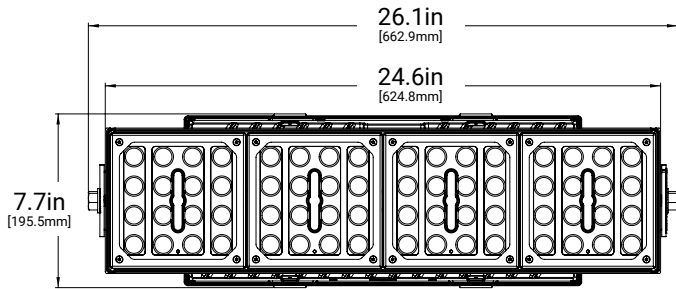
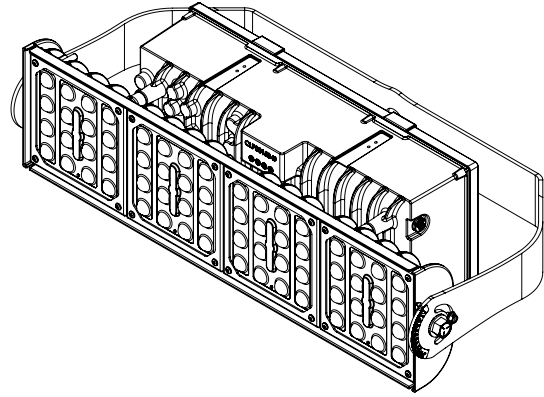
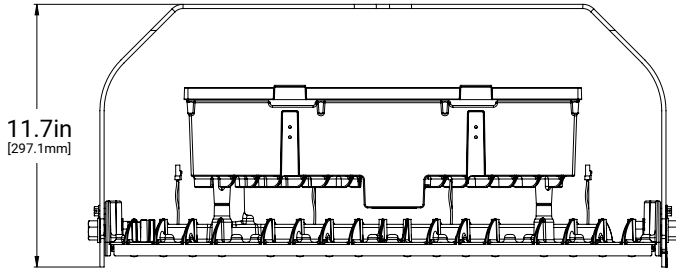
MOUNT TYPE: Pendant Mount



Dimensional & Mounting Details

MODEL: 4 Square

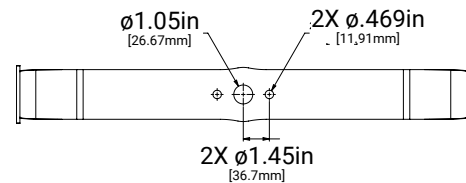
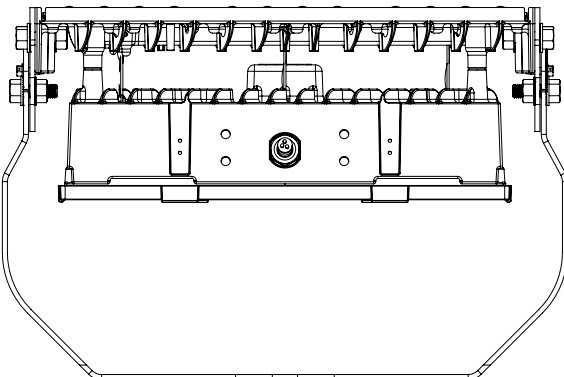
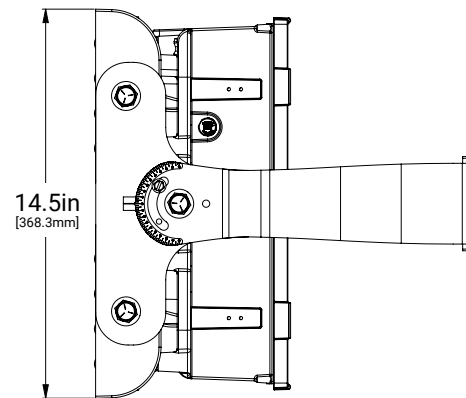
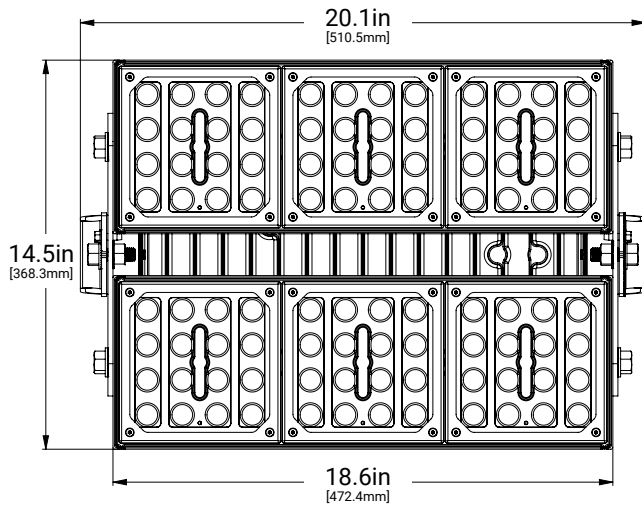
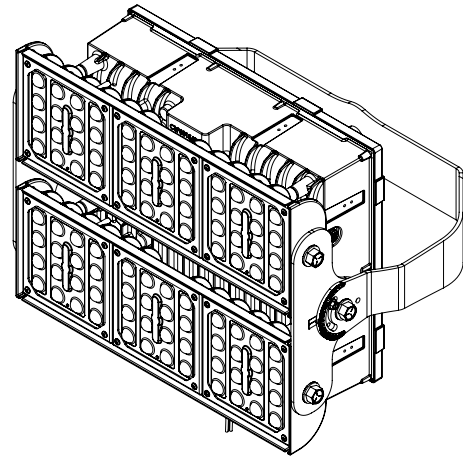
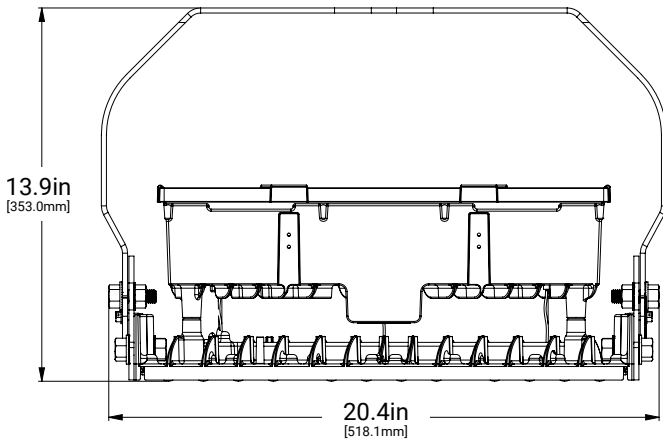
MOUNT TYPE: Pendant Mount



Dimensional & Mounting Details

MODEL: 6 Square

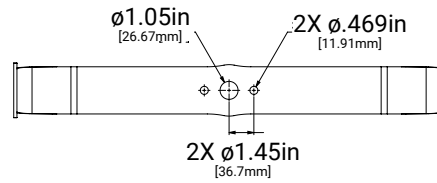
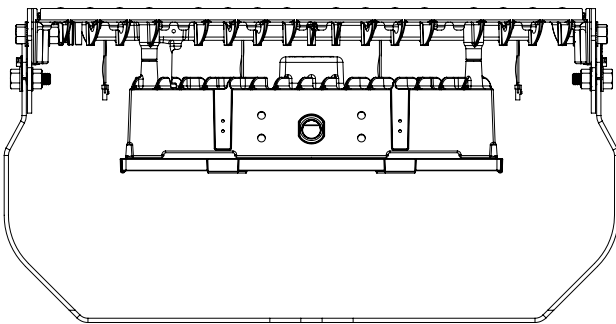
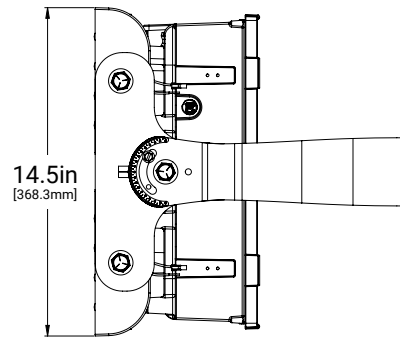
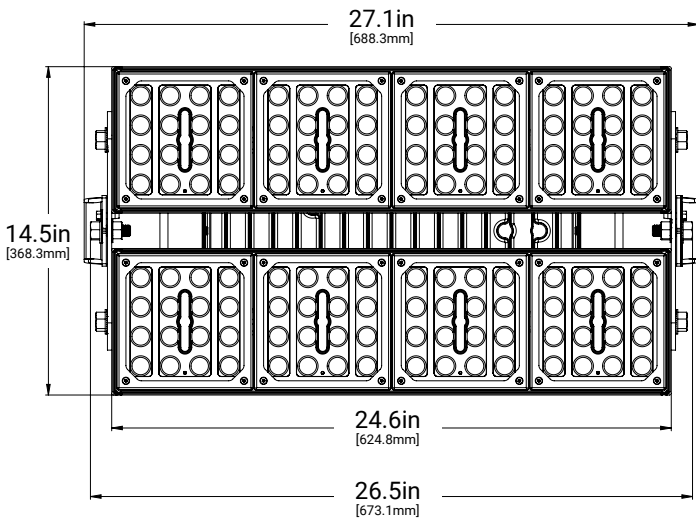
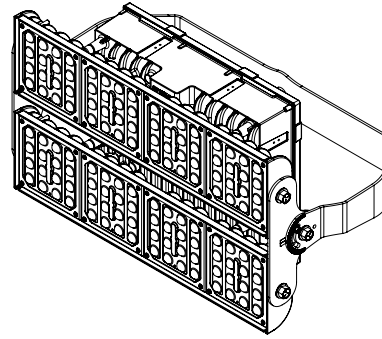
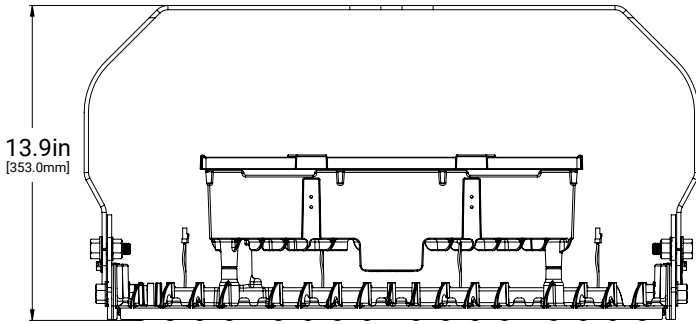
MOUNT TYPE: Pendant Mount



Dimensional & Mounting Details

MODEL: 7 & 8 Square (8 square shown)

MOUNT TYPE: Pendant Mount

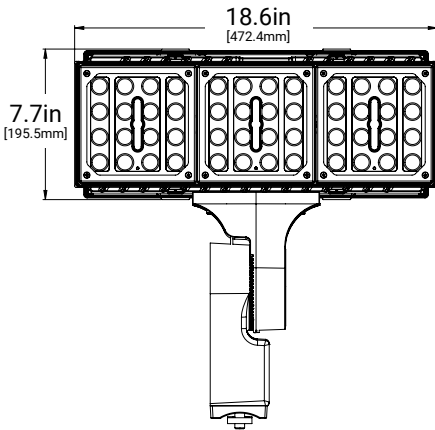
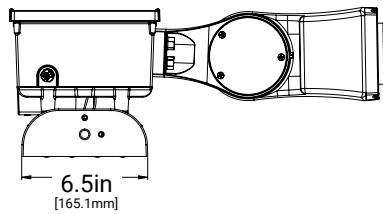
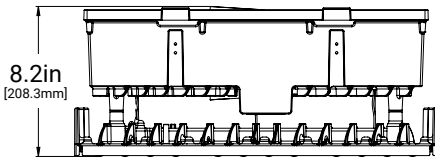
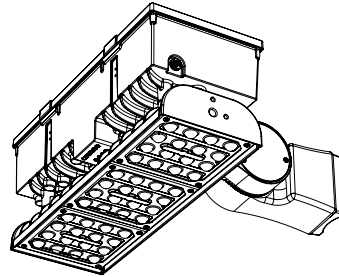
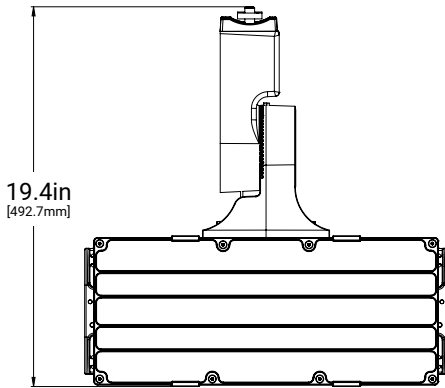


Dimensional & Mounting Details

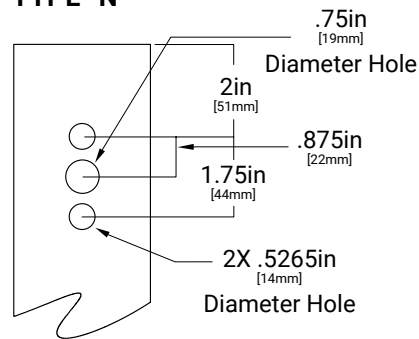
MODEL: 3 Square

MOUNT TYPE:

- **ADJA** (ADJUSTABLE ARM DIRECT POLE MOUNT)



TYPE "N"



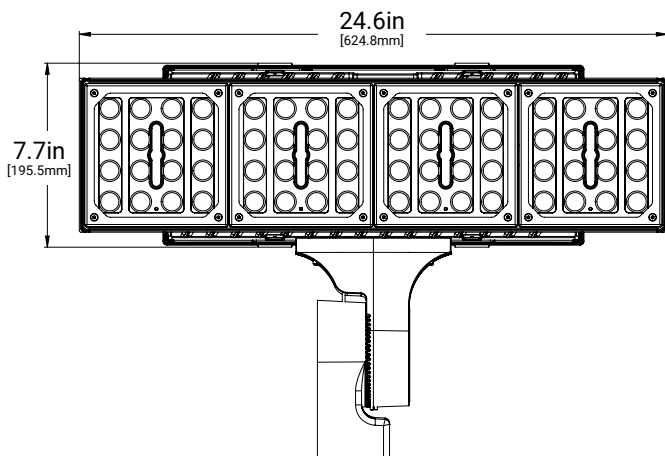
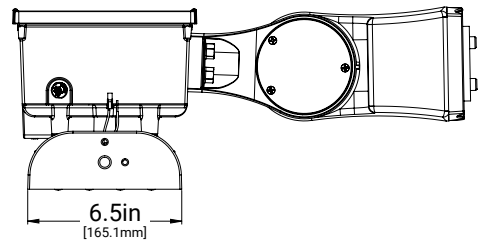
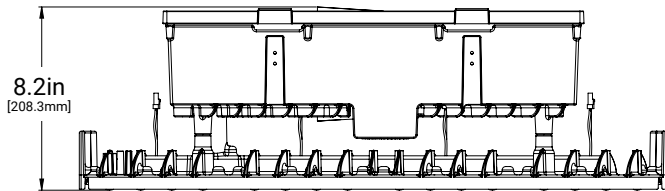
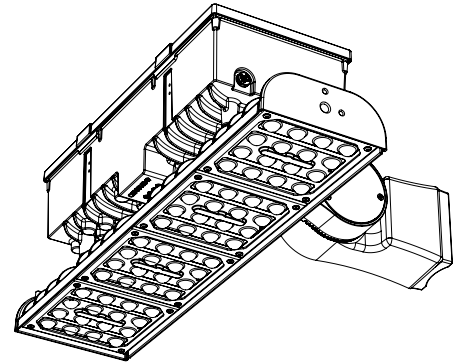
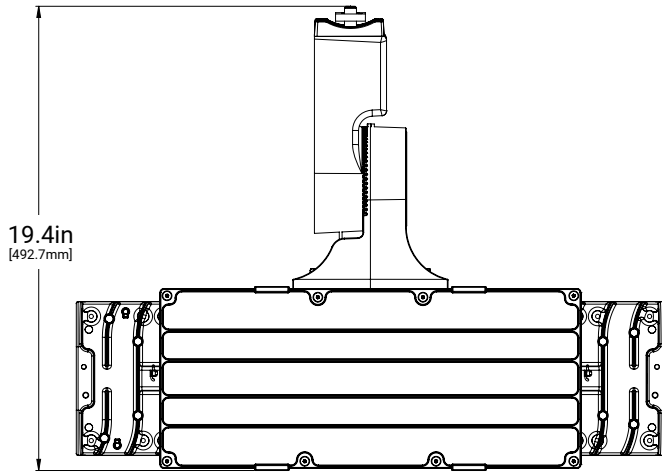
WARNING: Customer is responsible for engineering analysis to confirm pole and fixture compatibility for all applications. Refer to [Pole Drill Patterns Document](#) for additional support information.

Dimensional & Mounting Details

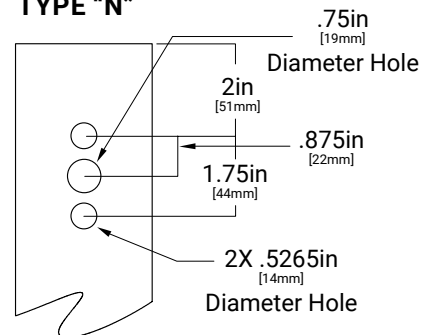
MODEL: 4 Square

MOUNT TYPE:

- **ADJA** (ADJUSTABLE ARM DIRECT POLE MOUNT)



TYPE "N"



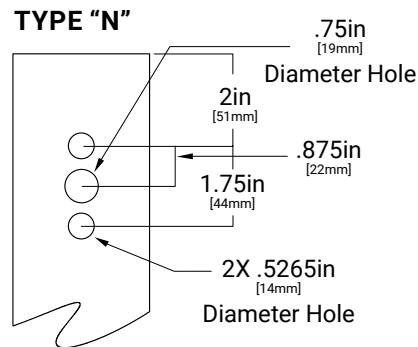
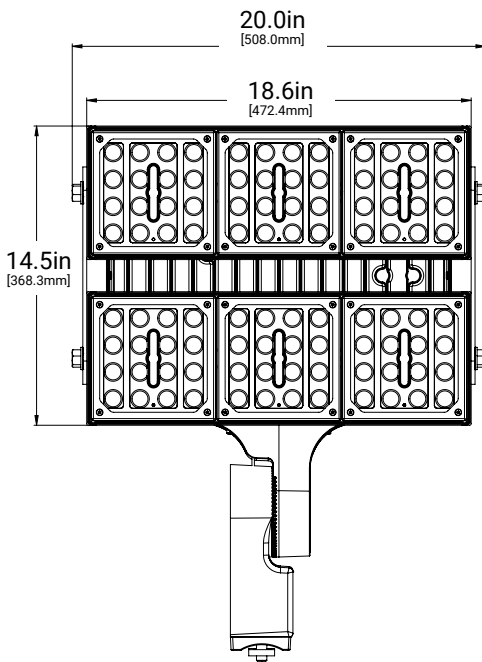
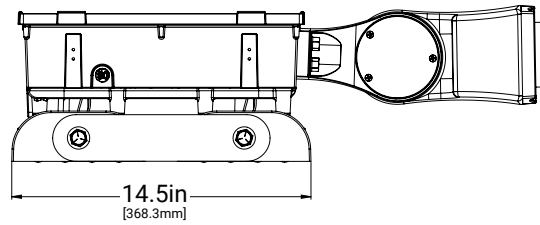
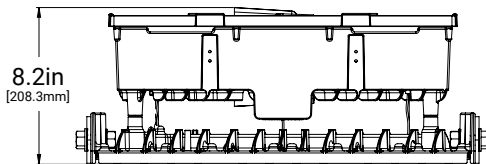
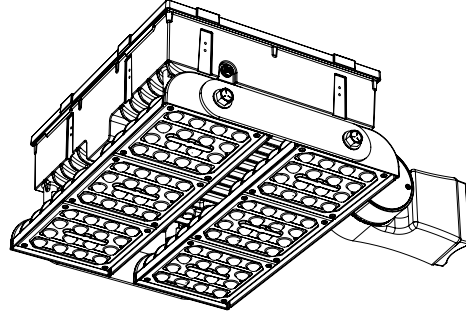
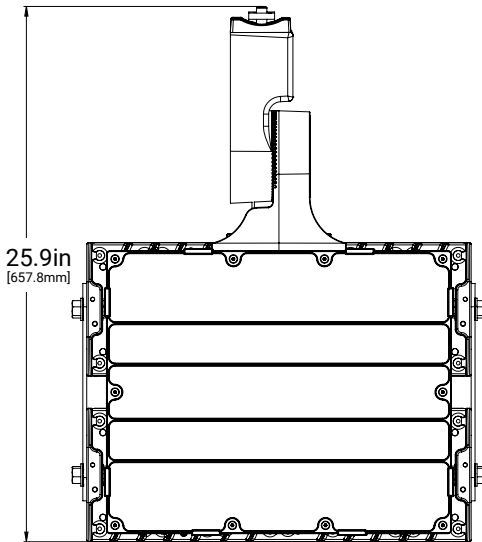
WARNING: Customer is responsible for engineering analysis to confirm pole and fixture compatibility for all applications. Refer to [Pole Drill Patterns Document](#) for additional support information.

Dimensional & Mounting Details

MODEL: 6 Square

MOUNT TYPE:

- **ADJA** (ADJUSTABLE ARM DIRECT POLE MOUNT)



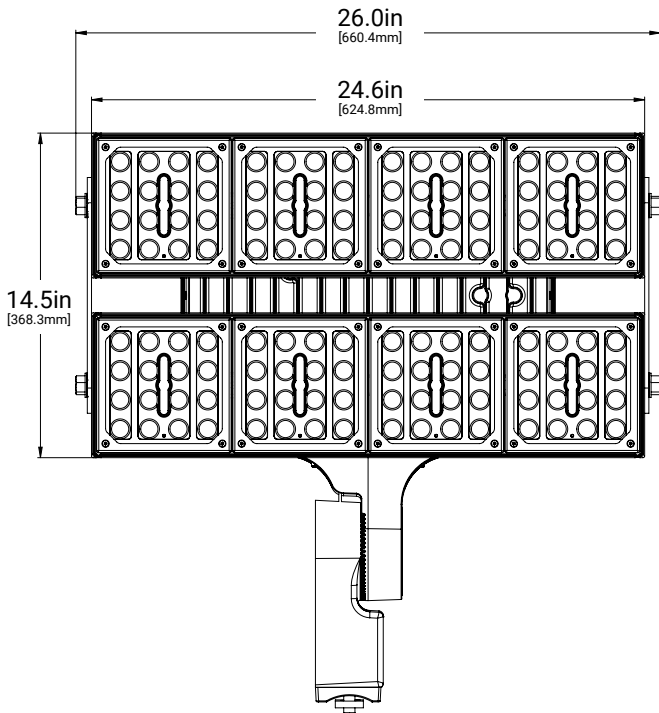
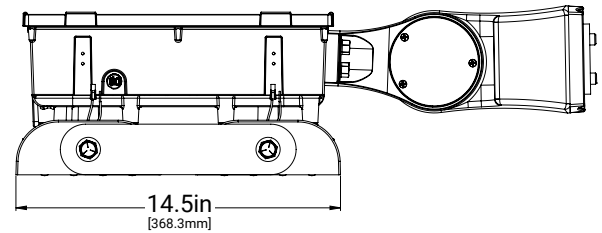
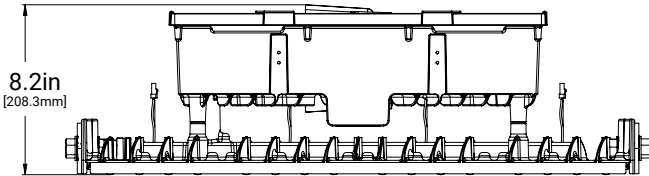
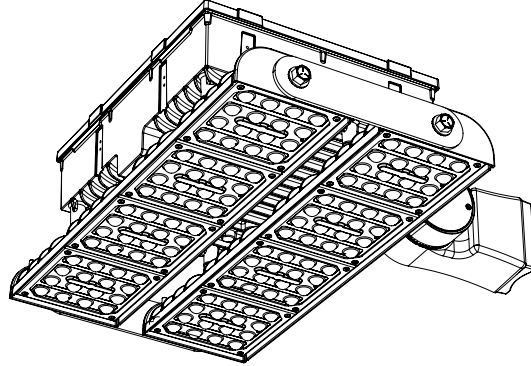
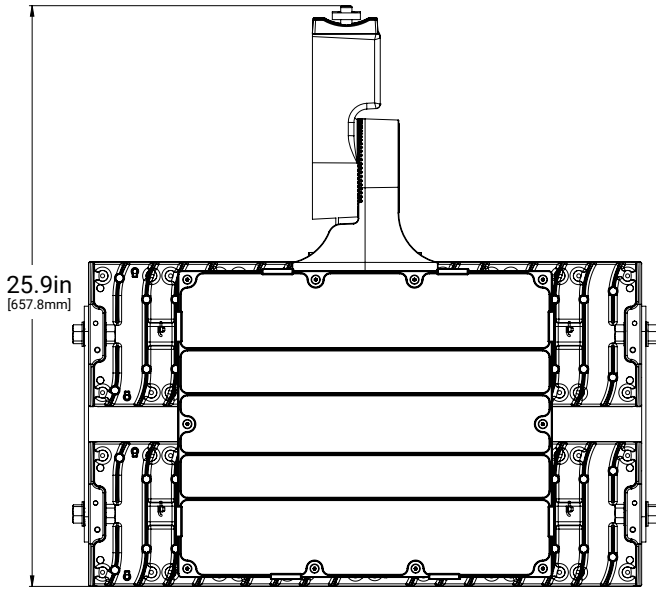
WARNING: Customer is responsible for engineering analysis to confirm pole and fixture compatibility for all applications. Refer to [Pole Drill Patterns Document](#) for additional support information.

Dimensional & Mounting Details

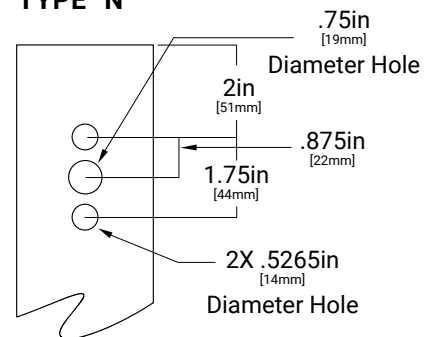
MODEL: 7 & 8 Square (8 square shown)

MOUNT TYPE:

- **ADJA** (ADJUSTABLE ARM DIRECT POLE MOUNT)



TYPE "N"

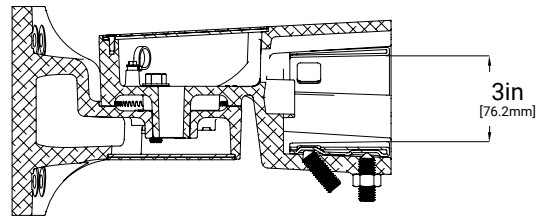
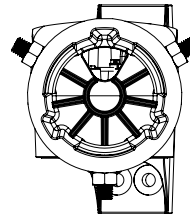
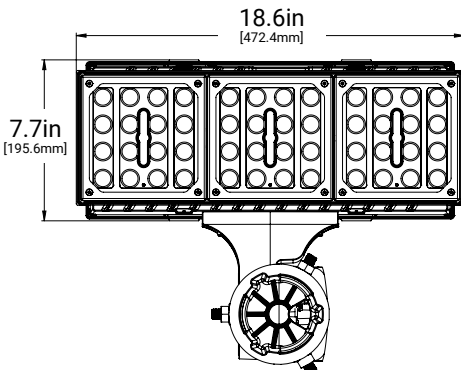
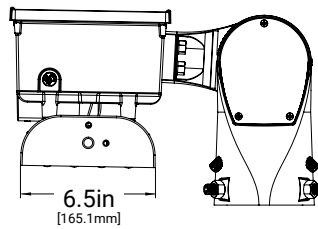
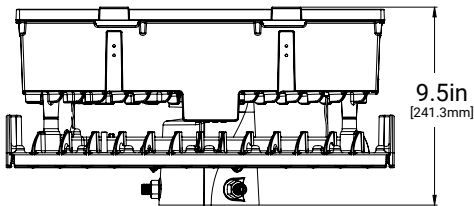
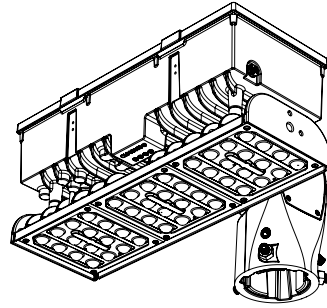
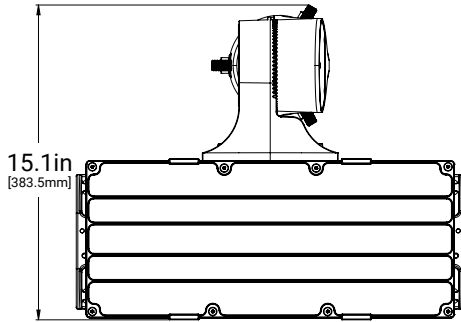


WARNING: Customer is responsible for engineering analysis to confirm pole and fixture compatibility for all applications. Refer to [Pole Drill Patterns Document](#) for additional support information.

Dimensional & Mounting Details

MODEL: 3 Square

MOUNT TYPE: Slipfitter

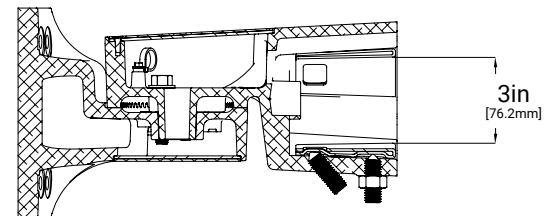
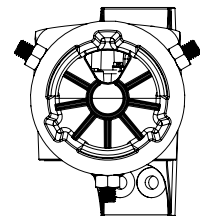
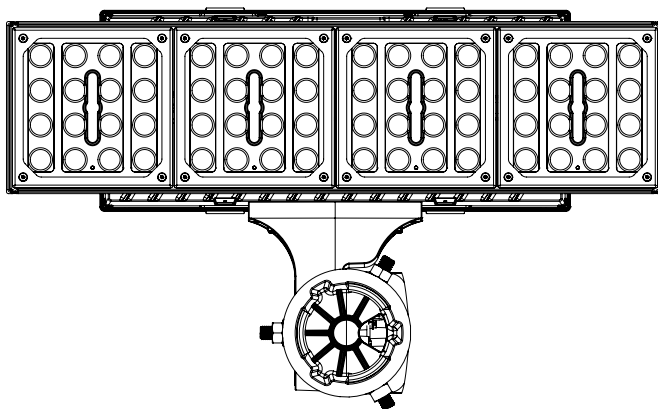
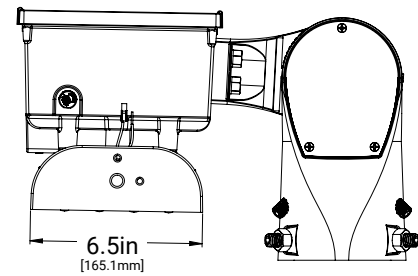
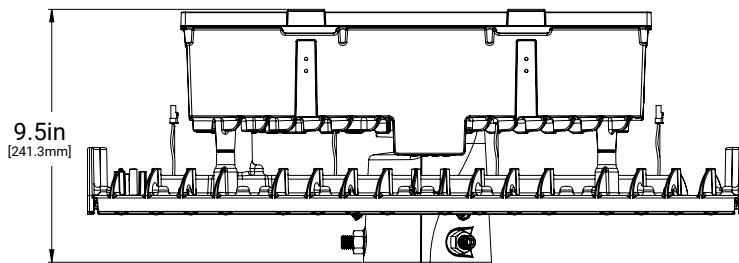
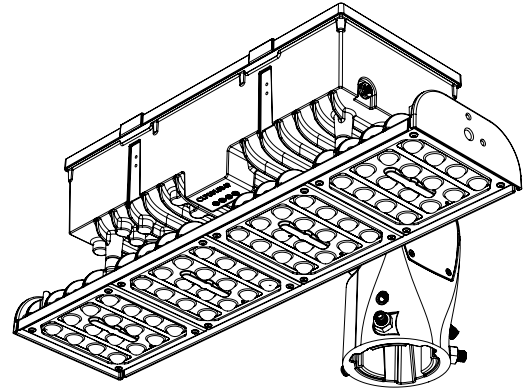
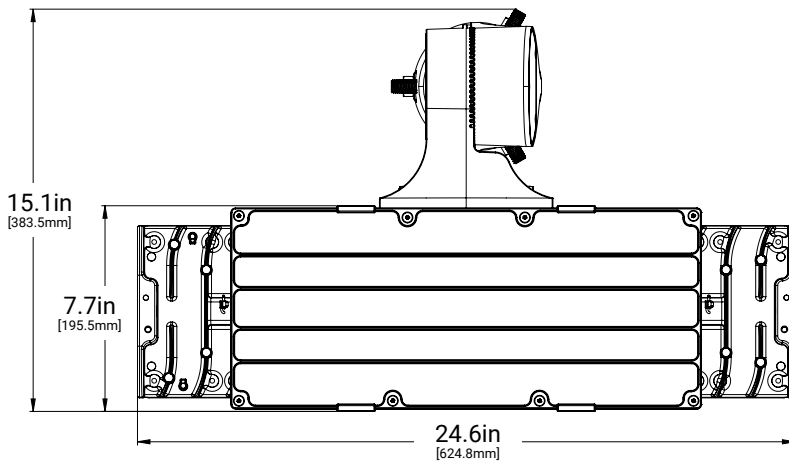


Note: The slip fitter is only intended to mount on a vertical orientation with a suitable 3 inch diameter pole or accessory tenon top-per. For 2.375 inch tenon sizes, a separate spacer accessory is needed that isn't included with the standard unit.

Dimensional & Mounting Details

MODEL: 4 Square

MOUNT TYPE: Slipfitter

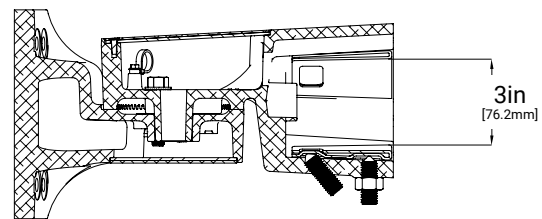
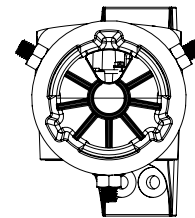
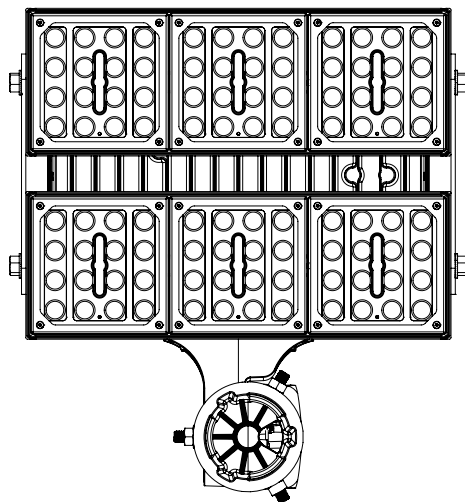
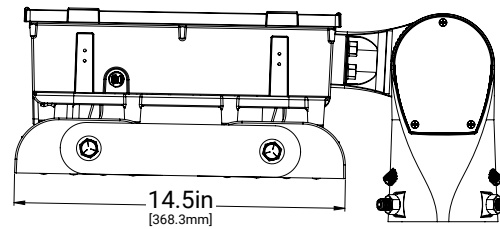
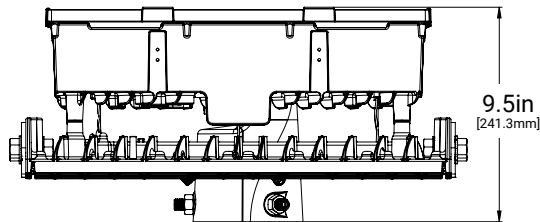
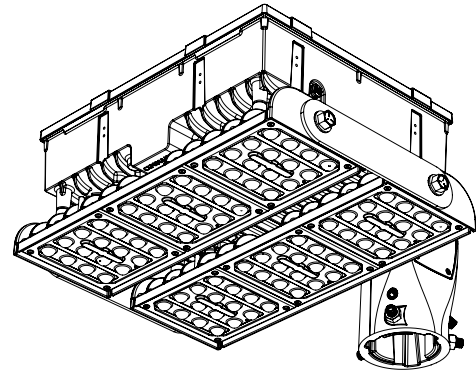
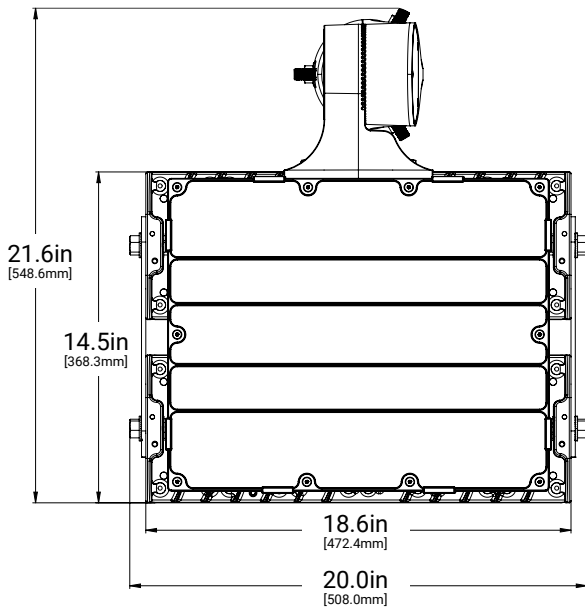


Note: The slip fitter is only intended to mount on a vertical orientation with a suitable 3 inch diameter pole or accessory tenon top. For 2.375 inch tenon sizes, a separate spacer accessory is needed that isn't included with the standard unit.

Dimensional & Mounting Details

MODEL: 6 Square

MOUNT TYPE: Slipfitter

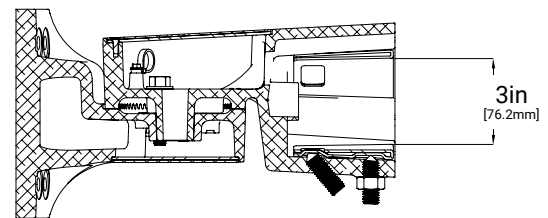
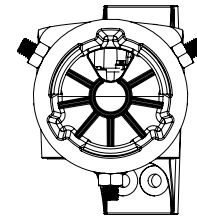
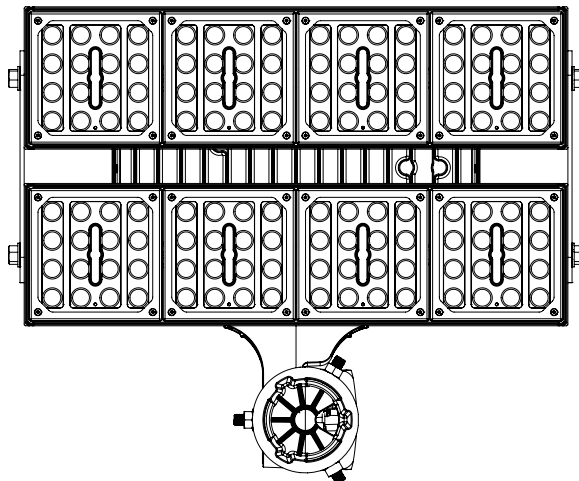
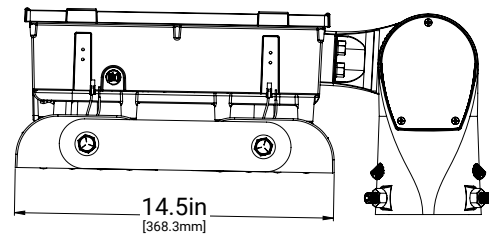
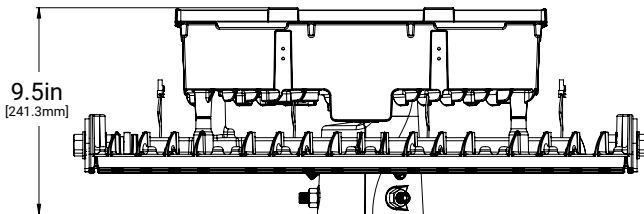
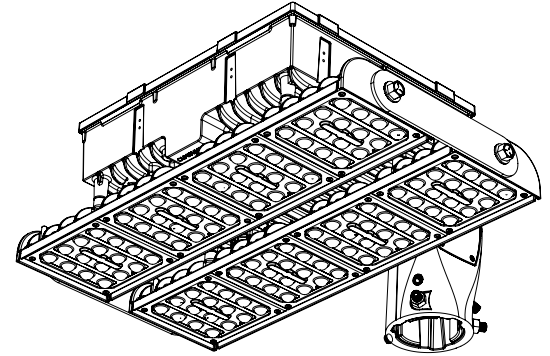
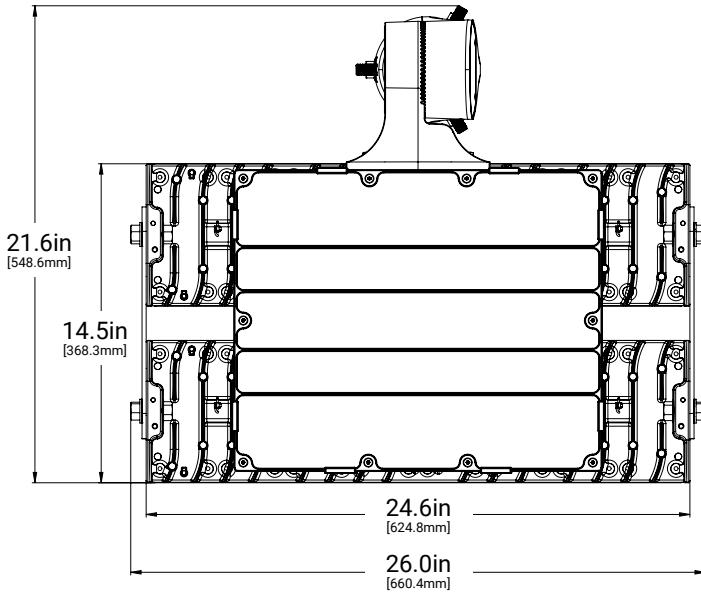


Note: The slip fitter is only intended to mount on a vertical orientation with a suitable 3 inch diameter pole or accessory tenon topper. For 2.375 inch tenon sizes, a separate spacer accessory is needed that isn't included with the standard unit.

Dimensional & Mounting Details

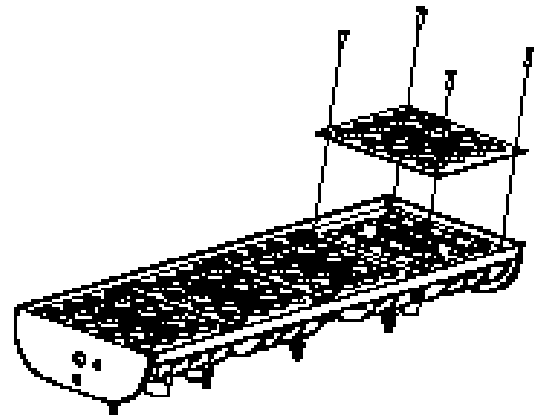
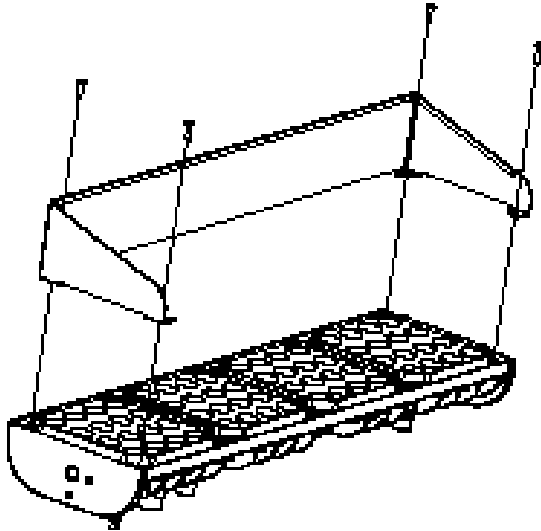
MODEL: 7 & 8 Square (8 square shown)

MOUNT TYPE: Slipfitter



Note: The slip fitter is only intended to mount on a vertical orientation with a suitable 3 inch diameter pole or accessory tenon topper. For 2.375 inch tenon sizes, a separate spacer accessory is needed that isn't included with the standard unit.

External Optical Cut-off Accessory Part Details:



Visor Full Bar (VIS) Parts¹

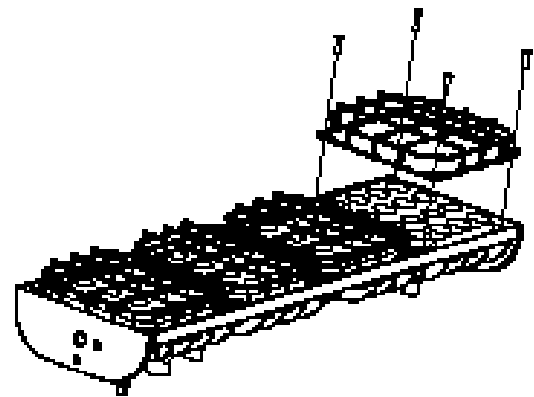
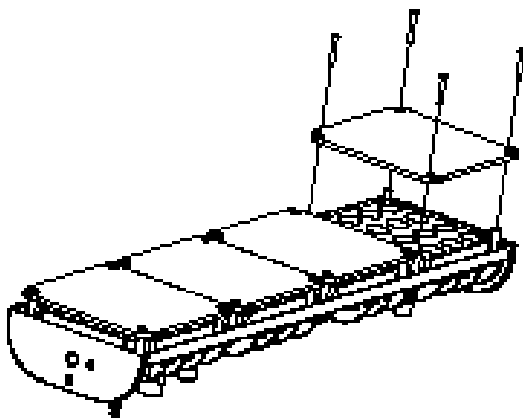
ITEM NO.	DESCRIPTION	WEIGHT (LBS)
VIS3	Visor for Model 03 = 3 Light Squares	1.19
VIS4	Visor for Model 04 = 4 Light Squares	1.46
VIS6	Visor for Model 06 = 6 Light Squares	2.38
VIS7	Visor for Model 07 = 7 Light Squares	2.65
VIS8	Visor for Model 08 = 8 Light Squares	2.92

¹image shown in IFLD-M configuration

House Side Shield (HSS)

Factory Installation only

External Impact Shield and Guard Accessory Part Details:



Vandal Shield (VSH) Parts¹

ITEM NO.	DESCRIPTION	WEIGHT (LBS)
VSH3	Vandal Shield for Model 03 = 3 Light Squares	0.78
VSH4	Vandal Shield for Model 04 = 4 Light Squares	1.04
VSH6	Vandal Shield for Model 06 = 6 Light Squares	1.56
VSH7	Vandal Shield for Model 07 = 7 Light Squares	1.82
VSH8	Vandal Shield for Model 08 = 8 Light Squares	2.08

¹image shown in IFLD-M configuration

Wire Guard (WRG) Parts¹

ITEM NO.	DESCRIPTION	WEIGHT (LBS)
WRG3	Wire Guard for Model 03 = 3 Light Squares	1.08
WRG4	Wire Guard for Model 04 = 4 Light Squares	1.44
WRG6	Wire Guard for Model 06 = 6 Light Squares	2.16
WRG7	Wire Guard for Model 07 = 7 Light Squares	2.52
WRG8	Wire Guard for Model 08 = 8 Light Squares	2.88

¹image shown in IFLD-M configuration