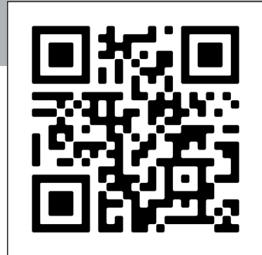
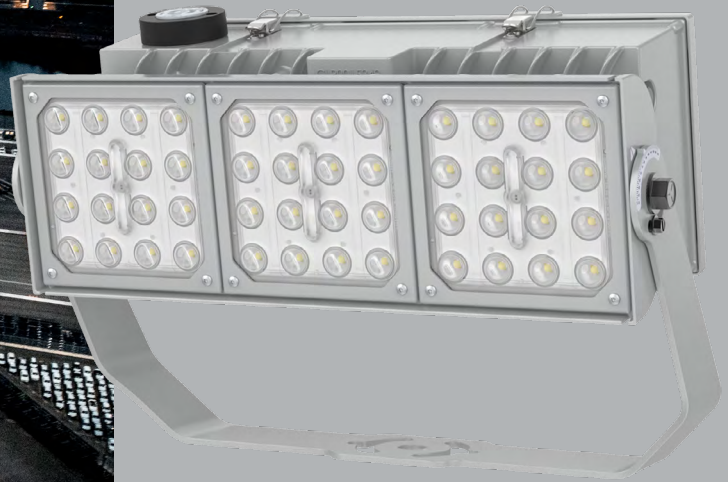
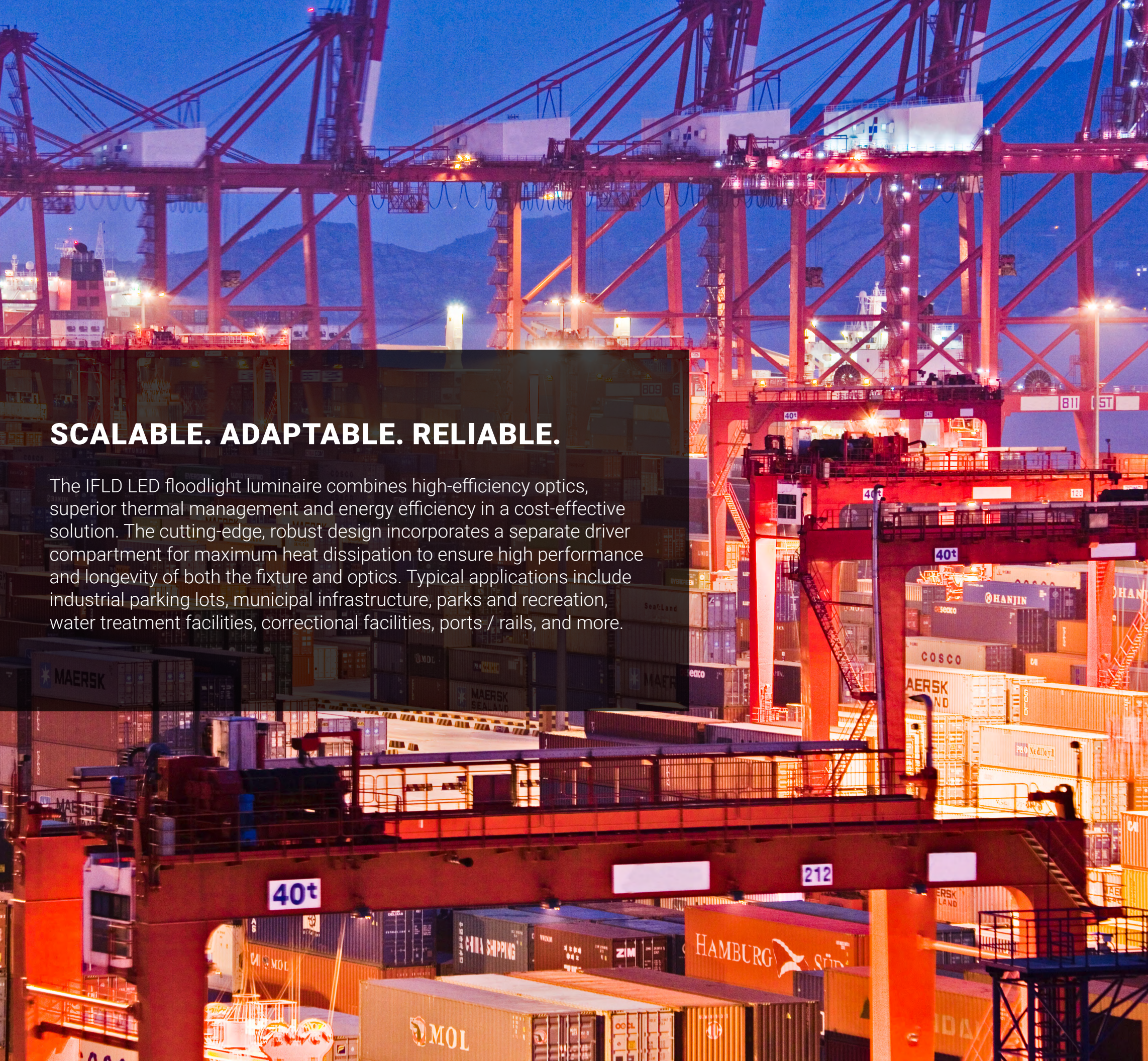


IFLD Infrastructure Flood LUMINAIRE



Streetworks





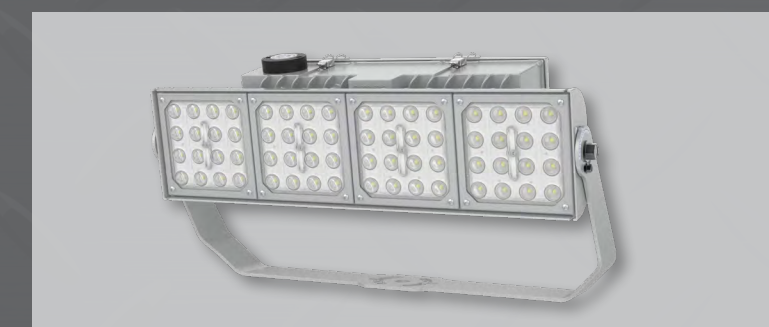
SCALABLE. ADAPTABLE. RELIABLE.

The IFLD LED floodlight luminaire combines high-efficiency optics, superior thermal management and energy efficiency in a cost-effective solution. The cutting-edge, robust design incorporates a separate driver compartment for maximum heat dissipation to ensure high performance and longevity of both the fixture and optics. Typical applications include industrial parking lots, municipal infrastructure, parks and recreation, water treatment facilities, correctional facilities, ports / rails, and more.

IFLD Infrastructure Flood



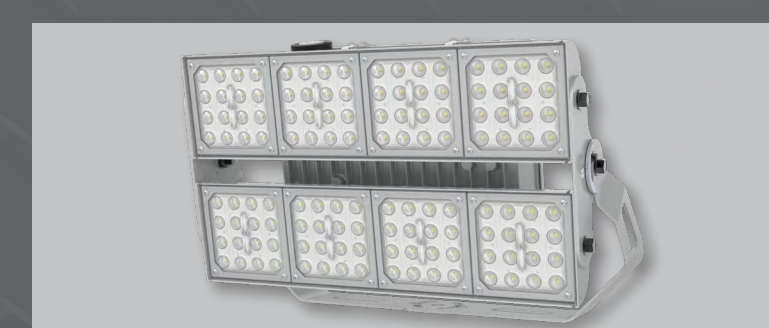
3 Square - Yoke Mount



4 Square - Yoke Mount



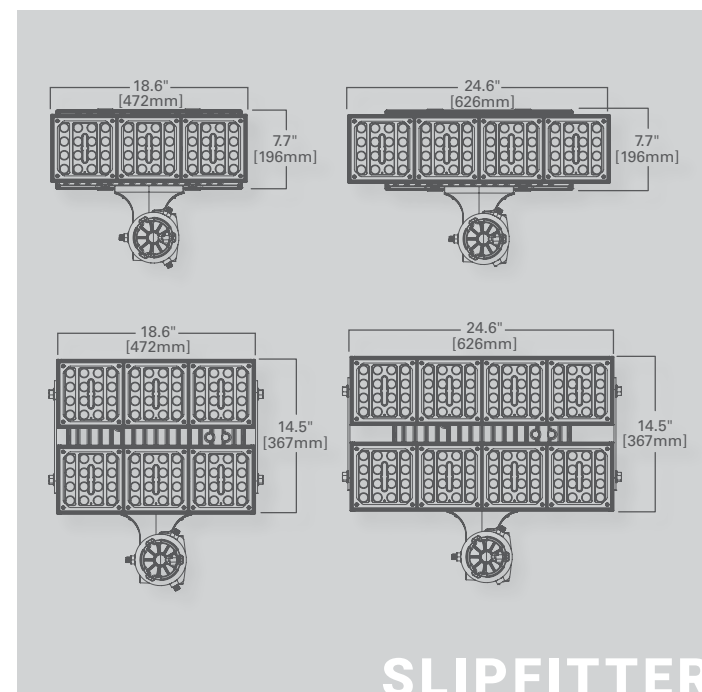
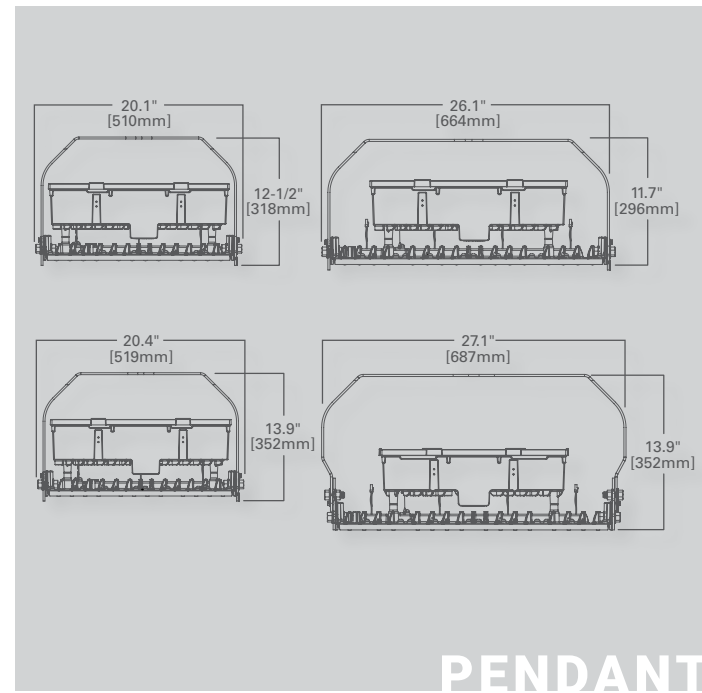
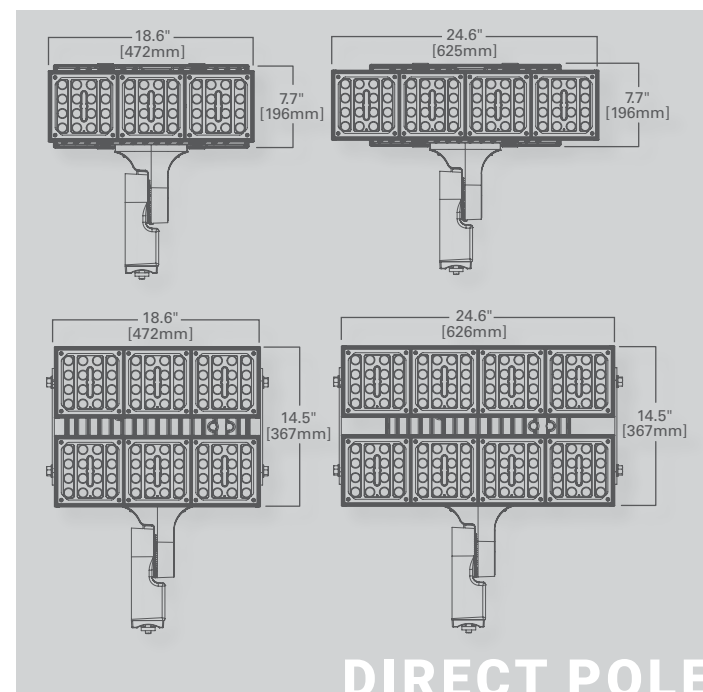
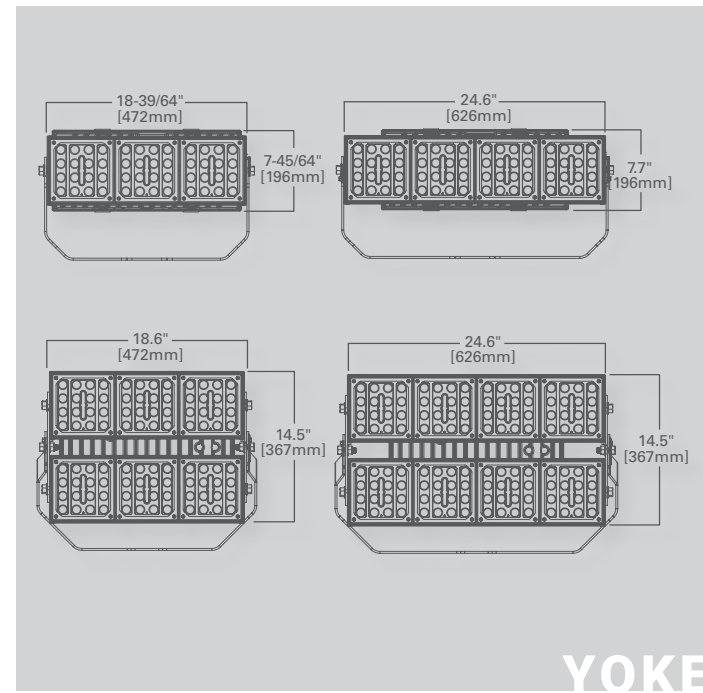
6 Square - Yoke Mount



8 Square - Yoke Mount

Mounting Options

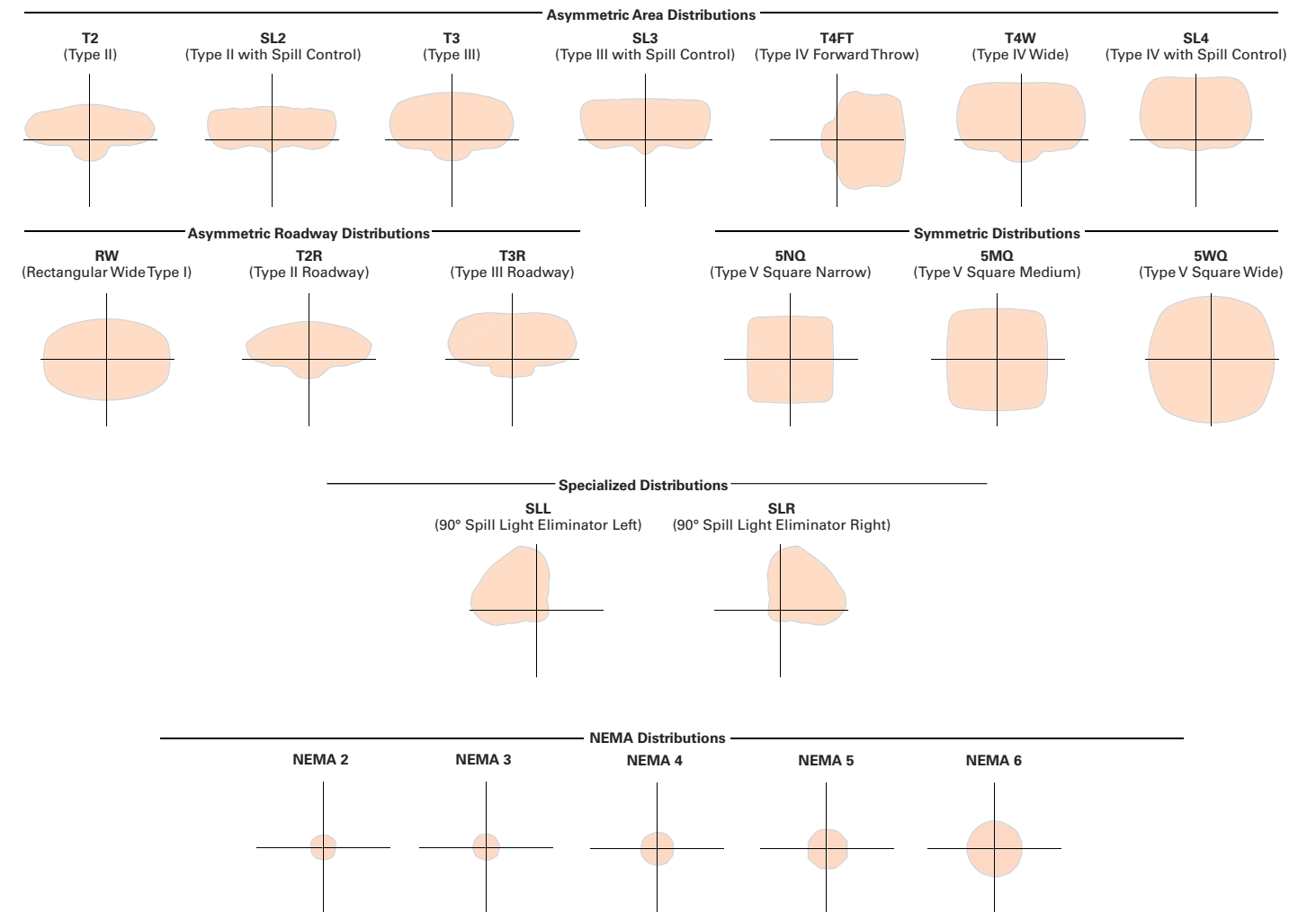
Adaptable to fit any mounting design application, the IFLD series is available in slipfitter, yoke, pendant, and direct pole mounting configurations for all sizes. The SRA238 adapter is also available for 2-3/8" OD tenon applications.



Supplemental Line Art

Optical Distributions

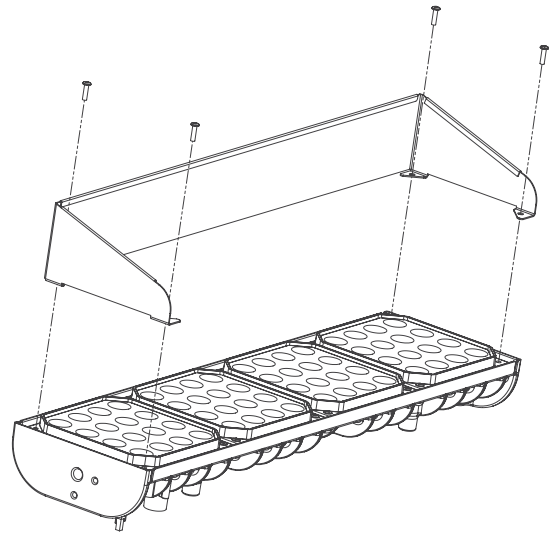
Redefining optical scalability, the IFLD series is available with 20 flood and area optical distributions precisely designed, to maximize efficiency and application spacing. Available in 2200K - 6000K CCTs and 70 - 90 CRI. For the ultimate level of spill light control, specialized distributions "SLL" and "SLR" are available.



Product Certifications / Features



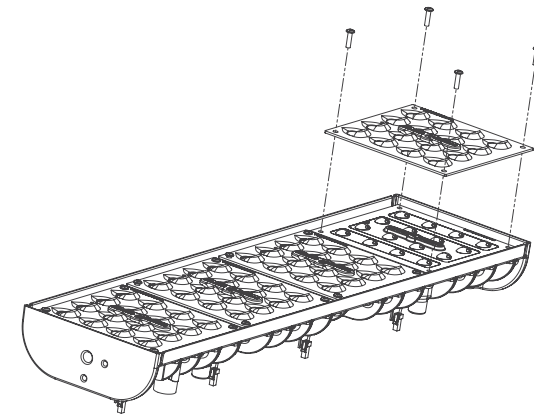
Accessories



Visor Full Bar (VIS) Parts*

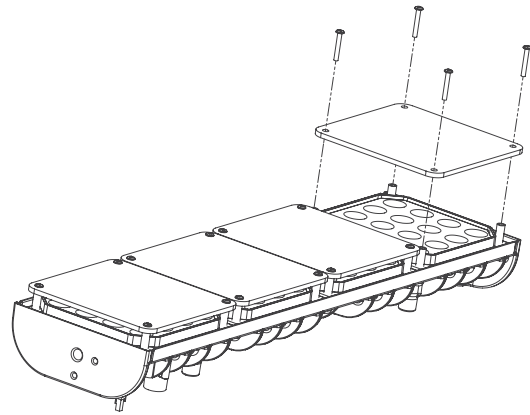
ITEM NO.	DESCRIPTION	WEIGHT (LBS)
VIS3	Visor for Model 03 = 3 Light Squares	1.19
VIS4	Visor for Model 04 = 4 Light Squares	1.46
VIS6	Visor for Model 06 = 6 Light Squares	2.38
VIS7	Visor for Model 07 = 7 Light Squares	2.65
VIS8	Visor for Model 08 = 8 Light Squares	2.92

*Image shown in IFLD-M configuration



House Side Shield (HSS)
Factory Installation only

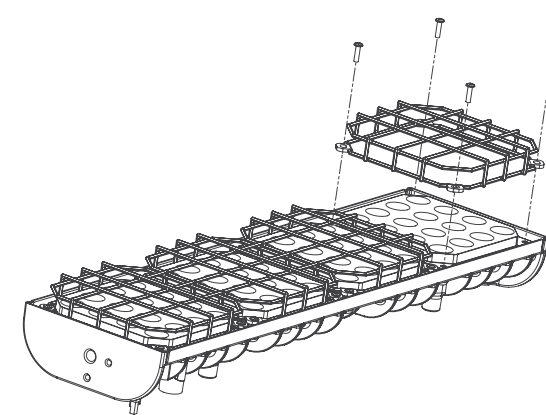
External Impact Shield and Guard Accessory Part Details:



Vandal Shield (VSH) Parts*

ITEM NO.	DESCRIPTION	WEIGHT (LBS)
VSH3	Vandal Shield for Model 03 = 3 Light Squares	0.78
VSH4	Vandal Shield for Model 04 = 4 Light Squares	1.04
VSH6	Vandal Shield for Model 06 = 6 Light Squares	1.56
VSH7	Vandal Shield for Model 07 = 7 Light Squares	1.82
VSH8	Vandal Shield for Model 08 = 8 Light Squares	2.08

*Image shown in IFLD-M configuration

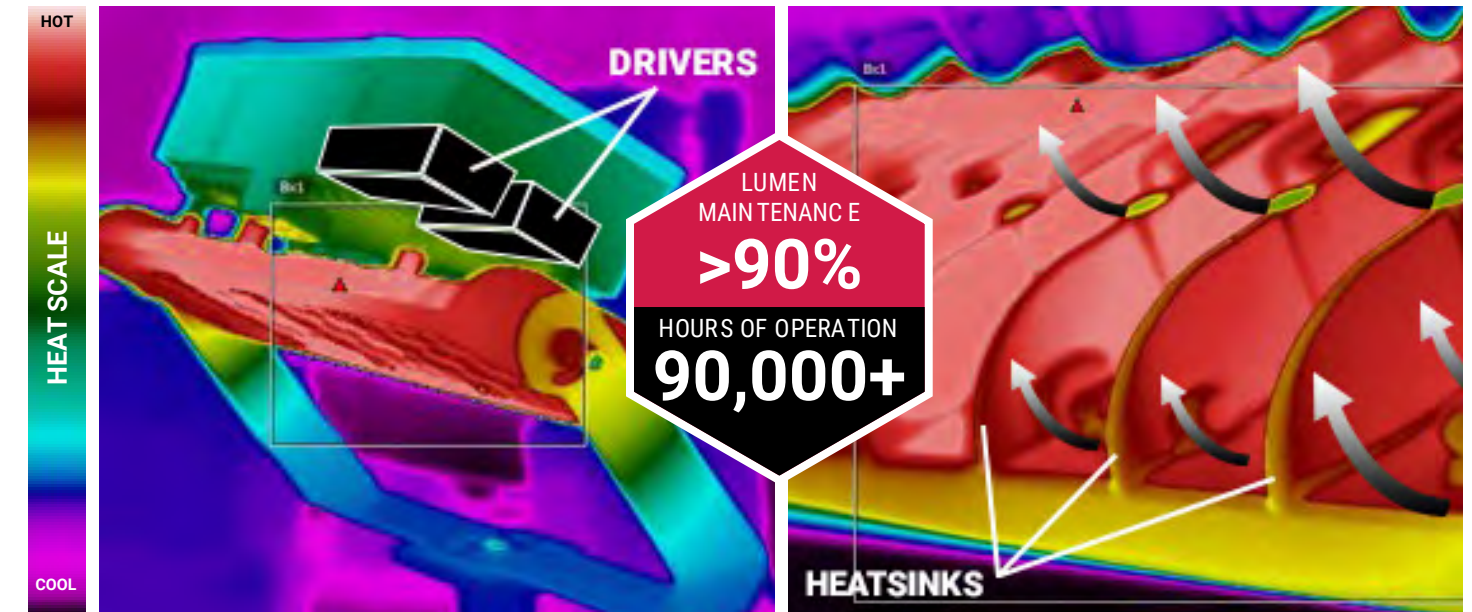


Wire Guard (WRG) Parts*

ITEM NO.	DESCRIPTION	WEIGHT (LBS)
WRG3	Wire Guard for Model 03 = 3 Light Squares	1.08
WRG4	Wire Guard for Model 04 = 4 Light Squares	1.44
WRG6	Wire Guard for Model 06 = 6 Light Squares	2.16
WRG7	Wire Guard for Model 07 = 7 Light Squares	2.52
WRG8	Wire Guard for Model 08 = 8 Light Squares	2.88

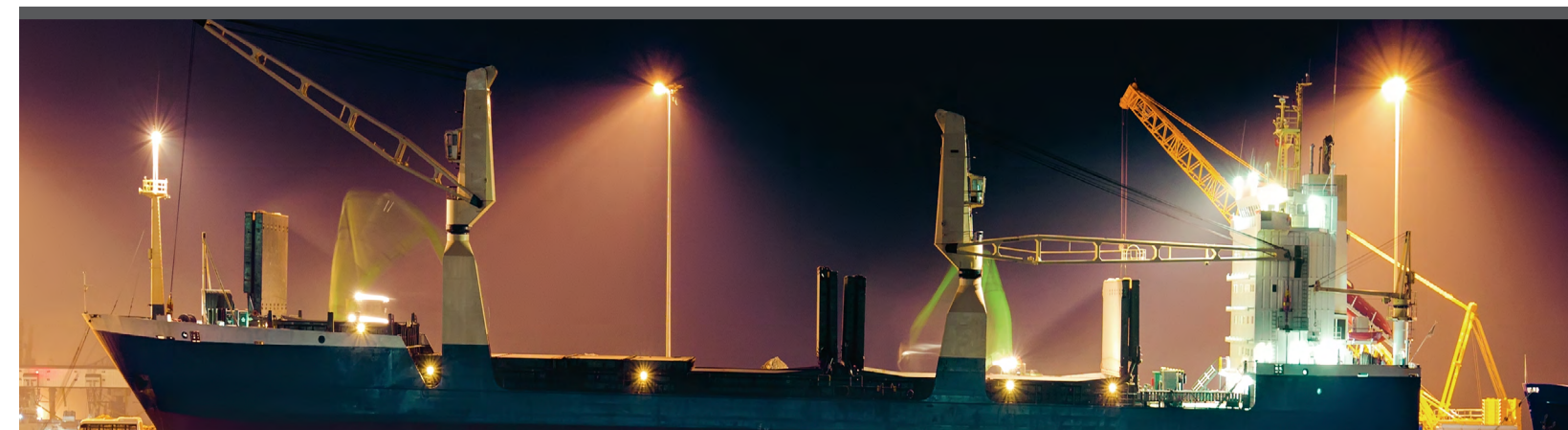
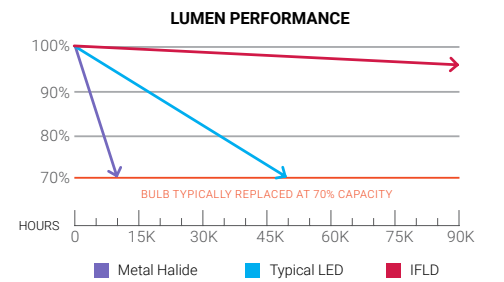
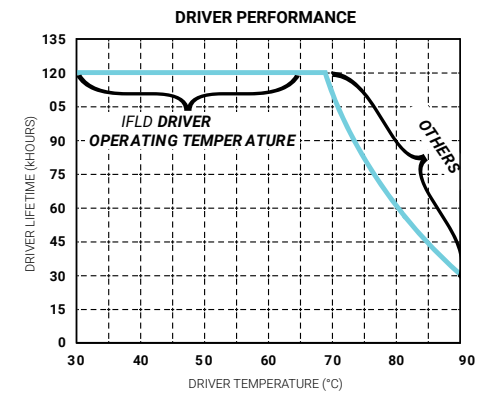
*Image shown in IFLD-M configuration

Reliability



Stay **COOL** under pressure!

- IFLD's design showcases a thermally managed heatsink design that separates the drivers from the light head ensuring the lights stay on for the total life of the system.
- L90 - With a 90,000+ hour rated life (at greater than 90% lumen maintenance), the IFLD LED luminaire is designed for long life operating up to nine times longer than traditional metal halide fixtures.
- Extreme environments capable (50°C High Ambient & Coastal Construction Options)



Lighting Product Lines

Ametrix
AtLite
Corelite
Ephesus
Fail-Safe
Halo
Halo Commercial
Invue
io
Iris
Lumark
Lumière
McGraw-Edison
Metalux
MWS
Neo-Ray
Portfolio
RSA
Shaper
Streetworks
Sure-Lites

Controls Product Lines

Fifth Light Technology
Greengate
iLight (International Only)
iLumin
Zero 88

Connected Lighting Systems

Distributed Low-Voltage Power
Halo Home
iLumin Plus
WaveLinx
WaveLinx Lite

IFLD Infrastructure Flood



Cooper Lighting Solutions

1121 Highway 74 South
Peachtree City, GA 30269
P: 770-486-4800
www.cooperlighting.com

Canada Sales

5925 McLaughlin Road
Mississauga, Ontario L5R 1B8
P: 905-501-3000
F: 905-501-3172

Cooper Lighting Solutions
is a registered trademark.

All other trademarks are property
of their respective owners.

Product availability, specifications,
and compliances are subject to
change without notice.



© 2021 Cooper Lighting Solutions
All Rights Reserved
Printed in USA
Publication No. BR506114EN
September 2021