

DESCRIPTION

The Galleon™ Wall LED luminaire's appearance is complementary with the Galleon area and site luminaire bringing a modern architectural style to lighting applications. Flexible mounting options accommodate wall surfaces in both an upward and downward configuration. The Galleon family of LED products deliver exceptional performance with patented, high-efficiency AccuLED Optics™, providing uniform and energy conscious lighting for parking lots, building and security lighting applications.

SPECIFICATION FEATURES

Construction

Driver enclosure thermally isolated from optics for optimal thermal performance. Heavy wall aluminum housing die-cast with integral external heat sinks to provide superior structural rigidity and an IP66 rated housing. Overall construction passes a 1.5G vibration test to ensure mechanical integrity. UPLIGHTING: Specify with the UPL option for inverted mount upright housing with additional protections to maintain IP rating.

Optics

Choice of thirteen patented, high-efficiency AccuLED Optics. The optics are precisely designed to shape the distribution maximizing efficiency and application spacing. AccuLED Optics create consistent distributions with the scalability to meet customized application requirements. Offered standard in 4000K (+/- 275K) CCT and minimum 70 CRI. Optional 3000K, 5000K

and 6000K CCT. Greater than 90% lumen maintenance expected at 60,000 hours. Available in standard 1A drive current and optional 1200mA, 800mA, and 600mA drive currents.

Electrical

LED drivers are mounted for ease of maintenance. 120-277V 50/60Hz, 347V or 480V 60Hz operation. 480V is compatible for use with 480V Wye systems only. Drivers are provided standard with 0-10V dimming. An optional Cooper Lighting Solutions proprietary surge protection module is available and designed to withstand 10kV of transient line surge. The Galleon Wall LED luminaire is suitable for operation in -40°C to 40°C ambient environments. For applications with ambient temperatures exceeding 40°C, specify the HA (High Ambient) option. Emergency egress options for -20°C ambient environments and occupancy sensor available.

Mounting

Gasketed and zinc plated rigid steel mounting attachment fits directly to 4" j-box or wall with the Galleon Wall "Hook-N-Lock" mechanism for quick installation. Secured with two captive corrosion resistant black oxide coated allen head set screws which are concealed but accessible from bottom of fixture.

Finish

Housing finished in super durable TGIC polyester powder coat paint, 2.5 mil nominal thickness for superior protection against fade and wear. Standard colors include black, bronze, grey, white, dark platinum and graphite metallic. RAL and custom color matches available. Consult the McGraw-Edison Architectural Colors brochure for the complete selection.

Warranty

Five-year warranty.

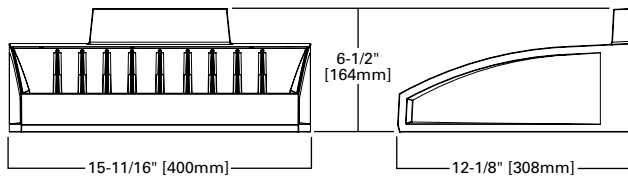


GAW GALLEON WALL

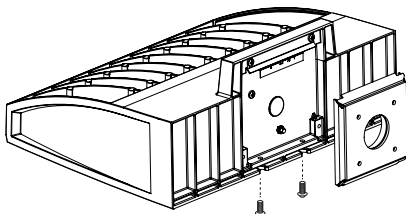
1-2 Light Squares
Solid State LED

WALL MOUNT LUMINAIRE

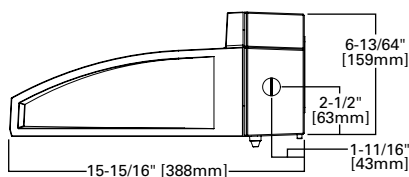
DIMENSIONS



HOOK-N-LOCK MOUNTING



BATTERY BACKUP AND THRU-BRANCH BACK BOX



CERTIFICATION DATA

UL/cUL Listed
LM79 / LM80 Compliant
IP66 Housing
3G Vibration Rated
ISO 9001

ENERGY DATA

Electronic LED Driver
>0.9 Power Factor
<20% Total Harmonic Distortion
120-277V 50/60Hz
347V, 480V 60Hz
-40°C Min. Temperature
40°C Max. Temperature
50°C Max. Temperature (HA Option)

SHIPPING DATA

Approximate Net Weight:
27 lbs. (12.2 kgs.)

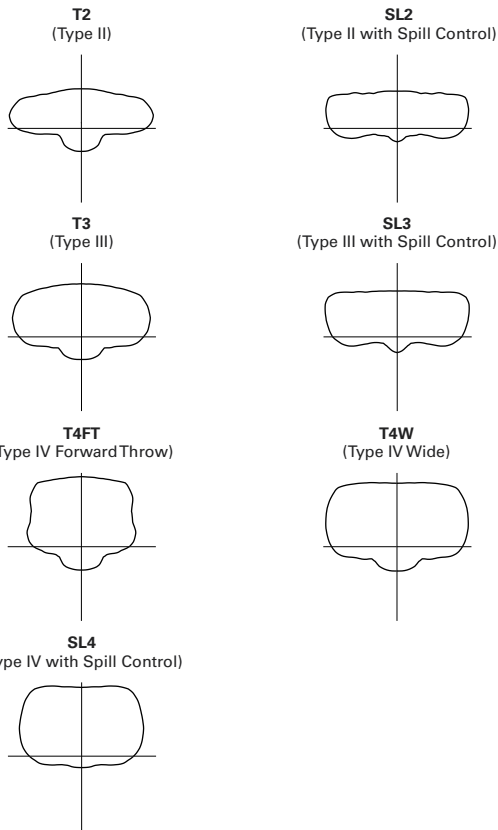
POWER AND LUMENS

Number of Light Squares		1				2			
Drive Current		600mA	800mA	1.0A	1.2A	600mA	800mA	1.0A	1.2A
Nominal Power (Watts)		34	44	59	67	66	86	113	129
Input Current @ 120V (A)		0.30	0.39	0.51	0.58	0.58	0.77	1.02	1.16
Input Current @ 208V (A)		0.17	0.22	0.29	0.33	0.34	0.44	0.56	0.63
Input Current @ 240V (A)		0.15	0.19	0.26	0.29	0.30	0.38	0.48	0.55
Input Current @ 277V (A)		0.14	0.17	0.23	0.25	0.28	0.36	0.42	0.48
Input Current @ 347V (mA)		0.11	0.15	0.17	0.20	0.19	0.24	0.32	0.39
Input Current @ 480V (mA)		0.08	0.11	0.14	0.15	0.15	0.18	0.24	0.30
Optics									
T2	4000K/5000K Lumens	4,204	5,156	6,381	7,000	8,215	10,075	12,470	13,680
	3000K Lumens	3,975	4,874	6,033	6,618	7,767	9,525	11,790	12,934
	BUG Rating	B1-U0-G1	B1-U0-G1	B1-U0-G2	B1-U0-G2	B1-U0-G2	B2-U0-G2	B2-U0-G2	B2-U0-G2
T3	4000K/5000K Lumens	4,285	5,256	6,505	7,135	8,375	10,269	12,710	13,943
	3000K Lumens	4,051	4,969	6,150	6,746	7,918	9,710	12,017	13,182
	BUG Rating	B1-U0-G1	B1-U0-G1	B1-U0-G2	B1-U0-G2	B1-U0-G2	B2-U0-G2	B2-U0-G2	B2-U0-G2
T4FT	4000K/5000K Lumens	4,311	5,286	6,542	7,177	8,422	10,329	12,784	14,024
	3000K Lumens	4,075	4,998	6,185	6,786	7,963	9,766	12,086	13,259
	BUG Rating	B1-U0-G1	B1-U0-G2	B1-U0-G2	B1-U0-G2	B1-U0-G2	B1-U0-G2	B2-U0-G2	B2-U0-G3
T4W	4000K/5000K Lumens	4,254	5,217	6,458	7,084	8,313	10,195	12,619	13,843
	3000K Lumens	4,023	4,933	6,105	6,698	7,860	9,639	11,931	13,088
	BUG Rating	B1-U0-G1	B1-U0-G2	B1-U0-G2	B1-U0-G2	B1-U0-G2	B2-U0-G2	B2-U0-G2	B2-U0-G3
SL2	4000K/5000K Lumens	4,196	5,147	6,370	6,988	8,202	10,058	12,449	13,656
	3000K Lumens	3,967	4,866	6,022	6,607	7,755	9,509	11,771	12,911
	BUG Rating	B1-U0-G1	B1-U0-G1	B1-U0-G2	B1-U0-G2	B1-U0-G2	B2-U0-G2	B2-U0-G3	B2-U0-G3
SL3	4000K/5000K Lumens	4,284	5,255	6,504	7,134	8,374	10,268	12,709	13,941
	3000K Lumens	3,849	4,720	5,842	6,408	7,520	9,224	11,415	12,523
	BUG Rating	B1-U0-G2	B1-U0-G2	B1-U0-G2	B1-U0-G2	B1-U0-G2	B1-U0-G3	B1-U0-G3	B1-U0-G3
SL4	4000K/5000K Lumens	4,071	4,992	6,179	6,778	7,954	9,756	12,074	13,246
	3000K Lumens	3,849	4,720	5,842	6,408	7,520	9,224	11,415	12,523
	BUG Rating	B1-U0-G2	B1-U0-G2	B1-U0-G2	B1-U0-G2	B1-U0-G2	B1-U0-G3	B1-U0-G3	B1-U0-G3
5NQ	4000K/5000K Lumens	4,420	5,420	6,709	7,358	8,637	10,591	13,108	14,380
	3000K Lumens	4,179	5,124	6,343	6,957	8,166	10,013	12,393	13,595
	BUG Rating	B2-U0-G1	B2-U0-G1	B2-U0-G1	B3-U0-G1	B3-U0-G1	B3-U0-G1	B3-U0-G2	B3-U0-G2
5MQ	4000K/5000K Lumens	4,501	5,520	6,831	7,494	8,795	10,786	13,350	14,644
	3000K Lumens	4,256	5,219	6,458	7,085	8,316	10,198	12,622	13,845
	BUG Rating	B3-U0-G1	B3-U0-G1	B3-U0-G1	B3-U0-G1	B3-U0-G2	B3-U0-G2	B4-U0-G2	B4-U0-G2
5WQ	4000K/5000K Lumens	4,513	5,534	6,849	7,514	8,819	10,815	13,385	14,683
	3000K Lumens	4,268	5,232	6,475	7,104	8,338	10,224	12,656	13,882
	BUG Rating	B3-U0-G1	B3-U0-G1	B3-U0-G2	B3-U0-G2	B3-U0-G2	B4-U0-G2	B4-U0-G2	B4-U0-G2
SLL/SLR	4000K/5000K Lumens	3,765	4,619	5,716	6,270	7,358	9,023	11,167	12,251
	3000K Lumens	3,560	4,367	5,404	5,927	6,957	8,531	10,559	11,583
	BUG Rating	B1-U0-G1	B1-U0-G2	B1-U0-G2	B1-U0-G2	B1-U0-G2	B1-U0-G2	B1-U0-G3	B2-U0-G3
RW	4000K/5000K Lumens	4,379	5,370	6,647	7,293	8,558	10,494	12,989	14,250
	3000K Lumens	4,141	5,077	6,285	6,895	8,092	9,922	12,281	13,473
	BUG Rating	B2-U0-G1	B2-U0-G1	B3-U0-G1	B3-U0-G1	B3-U0-G1	B3-U0-G1	B3-U0-G2	B3-U0-G2

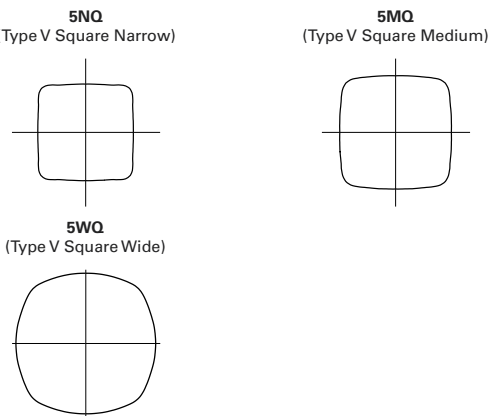
* Nominal lumen data for 70 CRI. BUG rating for 4000K/5000K. Refer to IES files for 3000K BUG ratings.

OPTICAL DISTRIBUTIONS

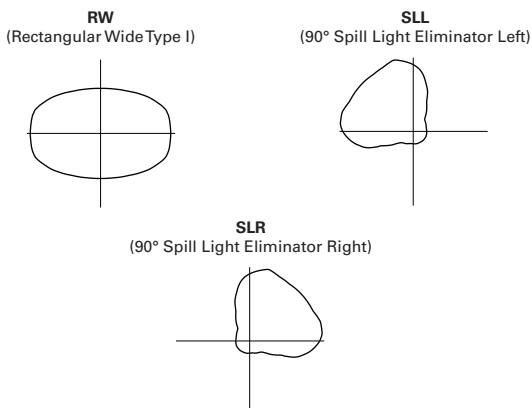
Asymmetric Area Distributions



Symmetric Distributions

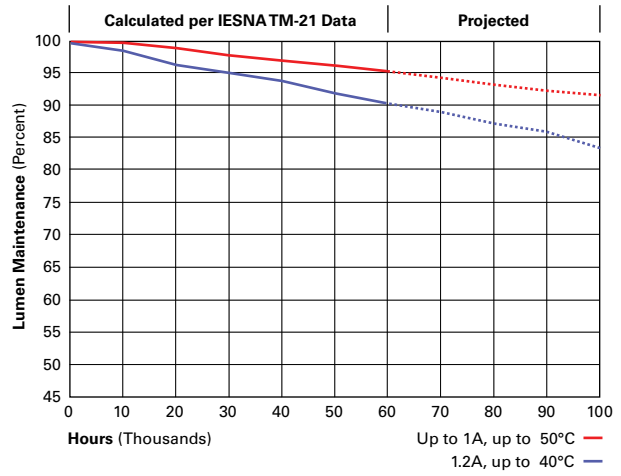


Specialized Distributions



LUMEN MAINTENANCE

Drive Current	Ambient Temperature	TM-21 Lumen Maintenance (60,000 Hours)	Projected L70 (Hours)
Up to 1A	Up to 50°C	> 95%	> 416,000
1.2A	Up to 40°C	> 90%	> 205,000



LUMEN MULTIPLIER

Ambient Temperature	Lumen Multiplier
0°C	1.02
10°C	1.01
25°C	1.00
40°C	0.99
50°C	0.97

CONTROL OPTIONS

0-10V

This fixture is offered standard with 0-10V dimming driver(s). The DIM option provides 0-10V dimming wire leads for use with a lighting control panel or other control method.

Photocontrol (P, 4 and 4N7)

Optional button-type photocontrol (P) and photocontrol receptacles (4 and 4N7) provide a flexible solution to enable "dusk-to-dawn" lighting by sensing light levels. Advanced control systems compatible with NEMA 7-pin standards can be utilized with the 4N7 receptacle.

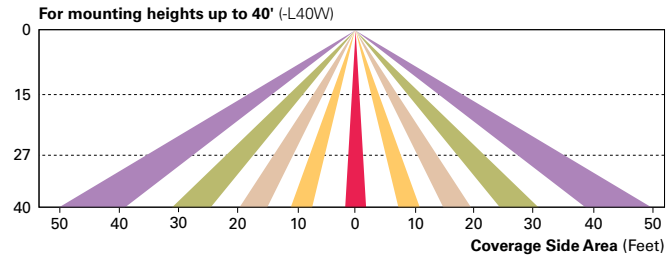
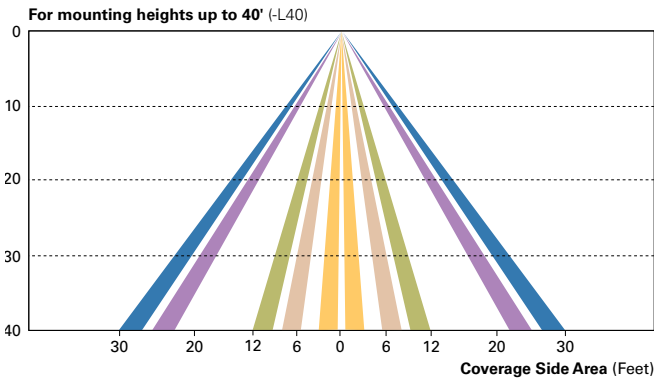
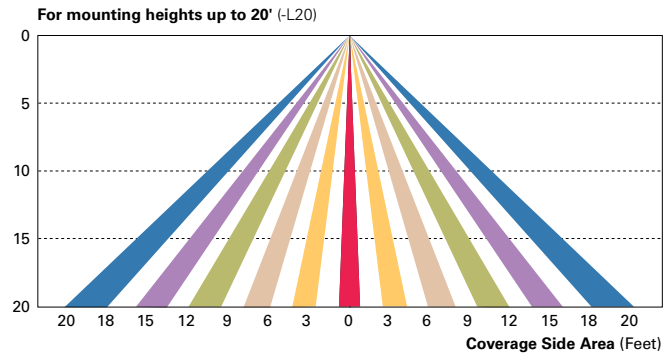
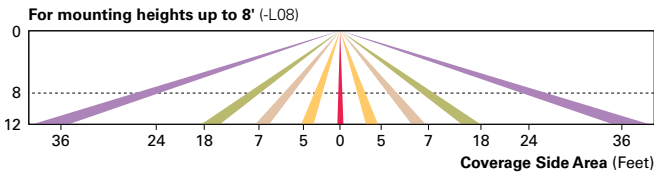
After Hours Dim (AHD)

This feature allows photocontrol-enabled luminaires to achieve additional energy savings by dimming during scheduled portions of the night. The dimming profile will automatically take effect after a "dusk-to-dawn" period has been calculated from the photocontrol input. Specify the desired dimming profile for a simple, factory-shipped dimming solution requiring no external control wiring. Reference the After Hours Dim supplemental guide for additional information.

Dimming Occupancy Sensor (MS/DIM-LXX and MS-LXX)

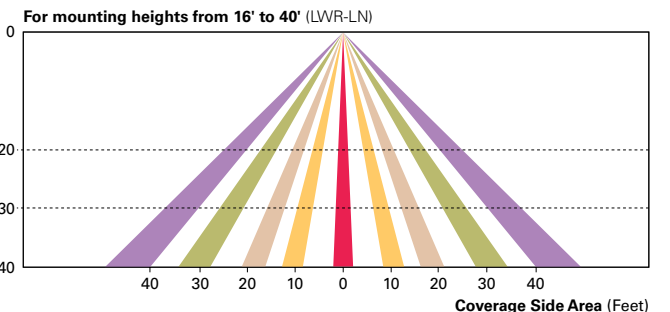
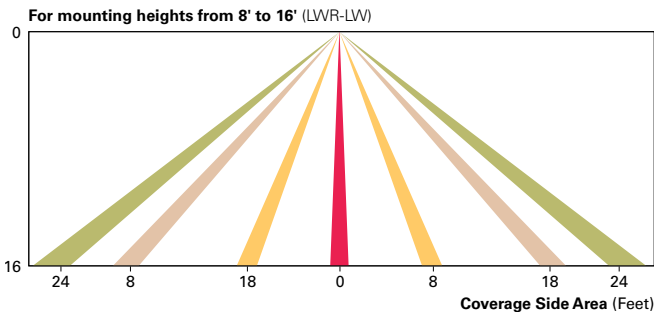
These sensors are factory installed in the luminaire housing. When the MS/DIM-LXX sensor option is selected, the occupancy sensor is connected to a dimming driver and the entire luminaire dims when there is no activity detected. When activity is detected, the luminaire returns to full light output. The MS/DIM sensor is factory preset to dim down to approximately 50 percent power with a time delay of five minutes. The MS-LXX sensor is factory preset to turn the luminaire off after five minutes of no activity. The MS/X-LXX is also preset for five minutes and only controls the specified number of light engines to maintain steady output from the remaining light engines.

These occupancy sensors includes an integral photocell that can be activated with the FSIR-100 accessory for "dusk-to-dawn" control or daylight harvesting - the factory preset is OFF. The FSIR-100 is a wireless tool utilized for changing the dimming level, time delay, sensitivity and other parameters. A variety of sensor lens are available to optimize the coverage pattern for mounting heights from 8'-40'.



Enlighted Wireless Control and Monitoring System (LWR-LW and LWR-LN)

Enlighted is a connected lighting solution that combines a broad selection of energy-efficient LED luminaires with a powerful integrated wireless sensor system. The sensor controls the lighting system in compliance with the latest energy codes and collects valuable data about building performance and use. Software applications turn the granular data into information through energy dashboards and specialized apps that make it simple and help optimize the use of building resources, beyond lighting.



WaveLinx Wireless Outdoor Lighting Control Module (WOLC-7P-10A)

The 7-pin wireless outdoor lighting control module enables WaveLinx to control outdoor area, site and flood lighting. WaveLinx controls outdoor lighting using schedules to provide ON, OFF and dimming controls based on astronomic or time schedules based on a 7 day week.

ORDERING INFORMATION

Sample Number: GAW-AF-02-LED-E1-T3-GM

Product Family ¹	Light Engine	Number of Light Squares ²	Lamp Type	Voltage	Distribution	Color	Mounting Options
GAW=Galleon Wall	AF=1A Drive Current	01=1 02=2 ³	LED=Solid State Light Emitting Diodes	U=120-277V 347=347V ⁴ 480=480V ^{4,5}	T2=Type II T3=Type III T4FT=Type IV Forward Throw T4W=Type IV Wide SL2=Type II w/Spill Control SL3=Type III w/Spill Control SL4=Type IV w/Spill Control SLL=90° Spill Light Eliminator Left SLR=90° Spill Light Eliminator Right RW=Rectangular Wide Type I 5NQ=Type V Square Narrow 5MQ=Type V Square Medium 5WQ=Type V Square Wide	AP=Grey BZ=Bronze BK=Black DP=Dark Platinum GM=Graphite Metallic WH=White CC=Custom Color ⁶	[BLANK]=Surface Mount
Options (Add as Suffix)					Accessories (Order Separately)		
7027=70 CRI / 2700K ⁷ 7030=70 CRI / 3000K ⁷ 8030=80 CRI / 3000K ⁷ 7050=70 CRI / 5000K ⁷ 7060=70 CRI / 6000K ⁷ 600=Drive Current Factory Set to 600mA 800=Drive Current Factory Set to 800mA 1200=Drive Current Factory Set to 1200mA ⁸ F=Single Fused (120, 277 or 347V. Must Specify Voltage) FF=Double Fused (208, 240 or 480V. Must Specify Voltage) 10K=10kV Surge Module DIM=0-10V Dimming Leads ^{9,10} DALI=DALI Driver ¹¹ HA=50°C High Ambient ¹² UPL=Uplight Housing ¹³ CBP=Battery Pack with Back Box, Cold Weather Rated ^{3,8,14,27} CBP-CEC=Battery Pack with Back Box, Cold Weather Rated, CEC compliant ^{3,8,14,27} P=Button Type Photocontrol (120, 208, 240 or 277V. Must Specify Voltage) 4=NEMA Twistlock Photocontrol Receptacle 4N7=NEMA 7-PIN Twistlock Photocontrol Receptacle ¹⁵ AHD145=After Hours Dim, 5 Hours ¹⁶ AHD245=After Hours Dim, 6 Hours ¹⁶ AHD255=After Hours Dim, 7 Hours ¹⁶ AHD355=After Hours Dim, 8 Hours ¹⁶ MS-LXX=Motion Sensor for On/Off Operation ^{17,18,19} MS/DIM-LXX=Motion Sensor for Dimming Operation ^{17,18,19} LWR-LW=Enlighted Wireless Sensor, Wide Lens for 8' - 16' Mounting Height ^{19,20,21} LWR-LN=Enlighted Wireless Sensor, Narrow Lens for 16' - 40' Mounting Height ^{19,20,21} L90=Optics Rotated 90° Left R90=Optics Rotated 90° Right MT=Factory Installed Mesh Top LCF=Light Square Trim Plate Painted to Match Housing ²² HSS=Factory Installed House Side Shield ²³ CE=CE Marking and Small Terminal Block ²⁴ ZW=WaveLinX-enabled 4-PIN Twistlock Receptacle ^{29,30} ZW-SWPD4XX=Wavelinx Wireless Sensor, 7' - 15' Mounting Height ^{29,30,32} ZW-SWPD5XX=Wavelinx Wireless Sensor, 15' - 40' Mounting Height ^{29,30,32} 3=Three-Position Terminal Block					OA/RA1013=Photocontrol Shorting Cap ²⁸ OA/RA1016=NEMA Photocontrol - Multi-Tap 105-285V ²⁸ OA/RA1201=NEMA Photocontrol - 347V ²⁸ OA/RA1027=NEMA Photocontrol - 480V ²⁸ MA1252=10kV Circuit Module Replacement MA1059XX=Thru-branch Back Box (Must Specify Color) FSIR-100=Wireless Configuration Tool for Occupancy Sensor ¹⁷ LS/HSS=Field Installed House Side Shield ^{23,25} WOLC-7P-10A=WaveLinX Outdoor Control Module (7-pin) ^{26,29} SWPD4-XX=Wavelinx Wireless Sensor, 7' - 15' Mounting Height ^{29,30,31,32} SWPD5-XX=Wavelinx Wireless Sensor, 15' - 40' Mounting Height ^{29,30,31,32}		

- NOTES:**
- DesignLight Consortium® Qualified. Refer to www.designlights.org Qualified Products List under Family Models for details.
 - Standard 4000K CCT and minimum 70 CRI.
 - Two light squares with CBP options limited to 25°C, 120-277V only. Not available in combination with sensor options at 1200mA.
 - Requires the use of a step down transformer. Not available in combination with sensor options at 1200mA.
 - Only for use with 480V Wye systems. Per NEC, not for use with ungrounded systems, impedance grounded systems or corner grounded systems (commonly known as Three Phase Three Wire Delta, Three Phase High Leg Delta and Three Phase Corner Grounded Delta systems).
 - Custom colors are available. Setup charges apply. Paint chip samples required. Extended Lead times apply.
 - Extended lead times apply. Use dedicated IES files when performing layouts.
 - Not available with HA option.
 - Cannot be used with other control options.
 - Low voltage control lead brought out 18" outside fixture.
 - Only available with BBB or CWB in single light square. HA option available for single light square only. Limited to 1A and below.
 - Not available with 1200, UPL, BBB and CWB options. Available for single light square only.
 - Not available with SL2, SL3, SL4, HA, BBB, CWB, R, or PER7 options.
 - Operates a single light square only. Operates at -20°C to +40°C. Backbox is non-IP rated.
 - Compatible with standard 3-PIN photocontrols, 5-PIN or 7-PIN ANSI controls.
 - Requires the use of P photocontrol or the PER7 or R photocontrol receptacle with photocontrol accessory. See After Hours Dim supplemental guide for additional information.
 - The FSIR-100 configuration tool is required to adjust parameters including high and low modes, sensitivity, time delay, cutoff and more. Consult your lighting representative at Cooper Lighting Solutions for more information.
 - Replace LXX with the available mounting height options: L08, L20, L40 or L40W are the only choices.
 - Includes integral photosensor.
 - Enlighted wireless sensors are factory installed requiring network components in appropriate quantities. See www.eaton.com/lighting for Enlighted application information.
 - Bronze sensor is shipped with Bronze fixtures. White sensor shipped on all other housing color options.
 - Not available with HSS option.
 - Only for use with SL2, SL3 and SL4 distributions. The light square trim plate is painted black when the HSS option is selected.
 - CE is not available with the 1200, DALI, LWR, MS, MS/DIM, P, R or PER7 options. Available in 120-277V only.
 - One required for each light square.
 - Requires PER7.
 - Control option limited to P=Button Type Photocontrol (must specify voltage).
 - Requires a 3 or 7 pin photocontrol receptacle.
 - Cannot be used in conjunction with photocontrol or other controls systems (P, R, MS, LWR).
 - WAC Gateway required to enable field-configurability: Order WAC-PoE and WPOE-120 (10V to PoE injector) power supply if needed.
 - Requires ZW.
 - Replace XX with sensor color (WH, BZ, or BK).

Cooper Lighting Solutions
 1121 Highway 74 South
 Peachtree City, GA 30269
 P: 770-486-4800
www.cooperlighting.com

Canada Sales
 5925 McLaughlin Road
 Mississauga, Ontario L5R 1B8
 P: 905-501-3000
 F: 905-501-3172

Specifications and dimensions subject to change without notice.

