

Installation Instructions - Galleon LED Wall Mounted Luminaire

WARNING



Risk of Fire, Electrical Shock, Cuts or other Casualty Hazards- Installation and maintenance of this product must be performed by a qualified electrician. This product must be installed in accordance with the applicable installation code by a person familiar with the construction and operation of the product and hazards involved.



Risk of Fire and Electric Shock- Make certain power is OFF before starting installation or attempting any maintenance. Disconnect power at fuse or circuit breaker.



Risk of Fire- Refer to product label for specific minimum supply conductor requirements.



Risk of Burn- Disconnect power and allow fixture to cool before handling or servicing.

Risk of Personal Injury- Fixture may become damaged and/or unstable if not installed properly. Failure to comply with these instructions may result in death, serious bodily injury and property damage.

DISCLAIMER OF LIABILITY: Cooper Lighting Solutions assumes no liability for damages or losses of any kind that may arise from the improper, careless, or negligent installation, handling or use of this product.

NOTICE: Green ground wire provided in proper location. Do not relocate.

ATTENTION Receiving Department: Note actual fixture description of any shortage or noticeable damage on delivery receipt. File claim for common carrier (LTL) directly with carrier. Claims for concealed damage must be filed within 15 days of delivery. All damaged material, complete with original packing must be retained.

Safety: This fixture must be wired in accordance with the National Electrical Code and applicable local codes and ordinances. Proper grounding is required to insure personal safety. Carefully observe grounding procedure under installation section.

APPLICATIONS: This lighting fixture is designed for outdoor lighting services, and should not be used in area of limited ventilation or inside high ambient temperature enclosures. It must be stored in a dry location prior to installation. Do not expose lighting fixture to rain, dust or other environmental conditions prior to installation and insertion of photo control or shorting cap (if so equipped). Best results will be obtained if installed and maintained according to the following recommendations.

Installation Instructions - Galleon LED Wall Mounted Luminaire

INSTALLATION

Note: Care must be taken not to set lighting fixture down on optical lenses or lift the fixture in the lens area.

Note: Do not attempt to mount this luminaire by drilling holes through the luminaire back wall. Modifying the housing will void warranty terms and conditions.

Tools Required

Ratchet, a 3/4" socket; #2 Phillips head screw driver; 3/16" allen key; torque wrench ; drill with 7/16 bit.

Wall Mount - Standard (Figure 1) For use in down lighting application only

1. Remove the mounting plate from the fixture by loosening the set screws using 3/16" allen key.
2. Loosen the lock nut from the mounting plate and detach tether.
3. Mount the mounting plate to the junction box or wall with gasket against wall and secure to the structure with fasteners (by others). Tighten fasteners to 20 in-lbs.

Note: Mounting plate must be in the upright position as specified by the label.

4. Pull fixture wires carefully from fixture.

Note: Ensure wire plug at the bottom of luminaire is in place properly.

5. Connect the supply wires to appropriate luminaire leads.

- Supply side ground wire to ground luminaire lead.
- Supply side neutral wire to white luminaire lead.
- Supply side line voltage wire to black luminaire lead.

6. Reattach tether to the mounting plate.

7. Tighten the lock nut.

Note: Tether must be able to rotate freely; therefore do not over tighten lock nut. Fixture must hang from tether, NOT from electrical wires.

8. Slide the luminaire mounting bracket over the top lip of the wall mounting plate to hang the luminaire. Hold luminaire in place while allowing the back surface of luminaire to rest against wall.

9. Allen head screws must be captured behind lower beveled edge of mounting plate to ensure luminaire is secure. Press luminaire firmly against wall and re-tighten the two (2) set screws to secure the luminaire to the mounting plate.

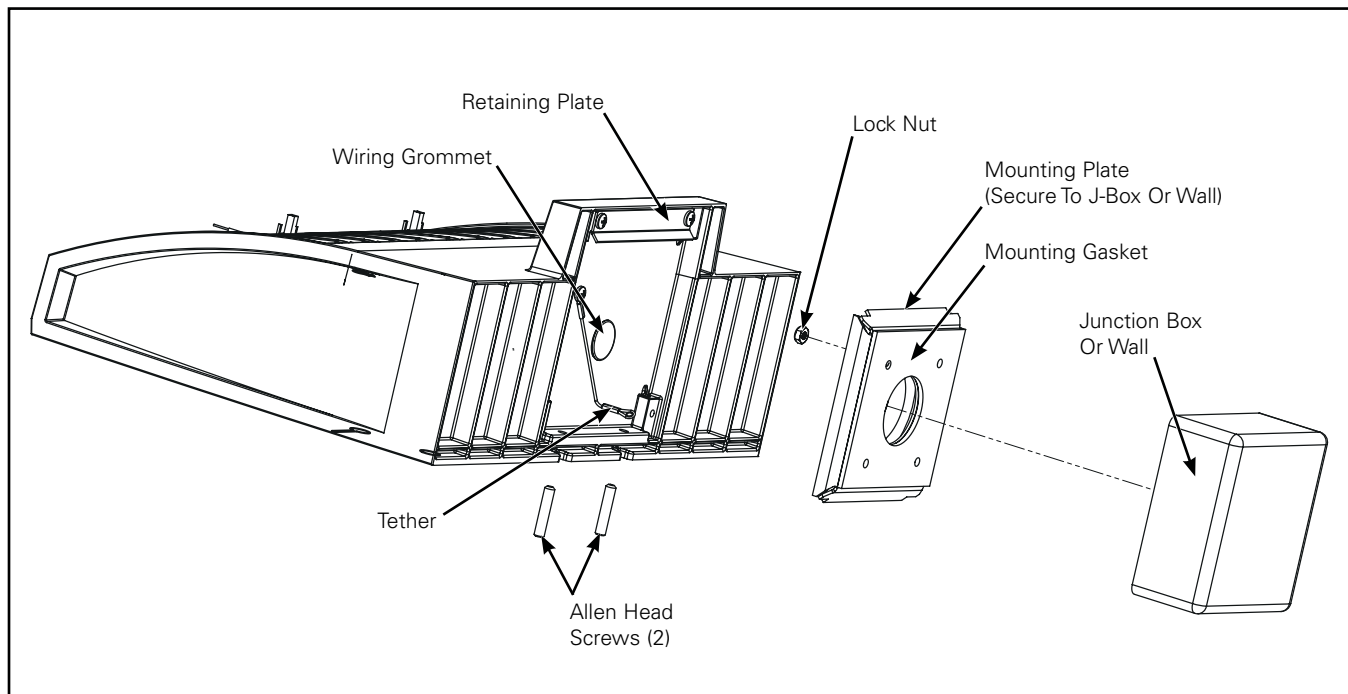


Figure 1.

**Pole Mount - Quick connect arm option
(Figure 2. – Figure 4.)**

1. Pole mounting arm is designed for a square or round pole. Round pole installation will require the mounting arm break away tabs to be removed (Figure 2). Grab break away tab with pliers and break-away the tabs.
 2. Mount the arm to the round or square pole using the provided ½" x 1-3/4" long bolts and nuts. Torque bolts to 40 ft lbs (55 Nm).
 3. Hold fixture wires tightly against the mounting arm while guiding fixture's house-sided arm onto pole mounting arm (Figure 4). Tighten the center Philips head screw to 20 in-lbs (2.3 N-M).
 4. Make wire connections inside the mounting arm. Refer to wire diagram for power connections (Figure 3). Connect the supply wires to appropriate luminaire leads.
 - Supply ground wire to ground luminaire lead.
 - Supply neutral wire to white luminaire lead.
 - Supply line voltage wire to black luminaire lead.
 5. Install pole mounting arm cover and tighten Philips head screws to 20 in-lbs (2.3 N-M) (Figure 4).
- Note:** Ensure the luminaire supply leads do not get pinched between cover and mounting arm.
6. Install pole cap after completion of luminaire installation and wiring.

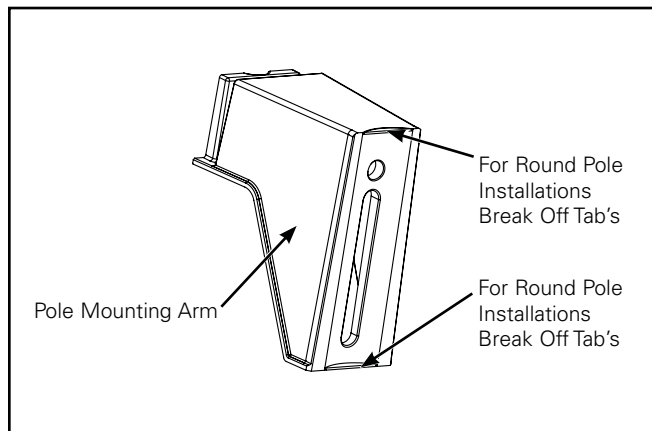


Figure 2.

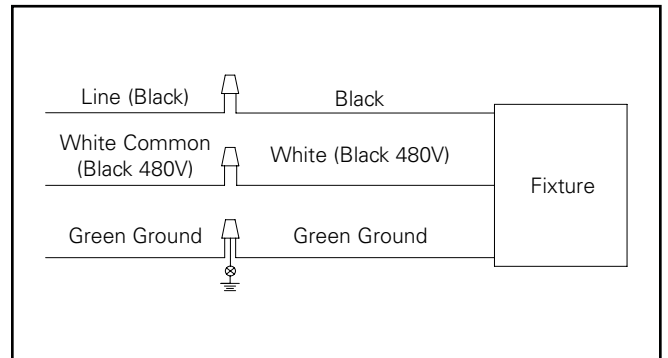


Figure 3.

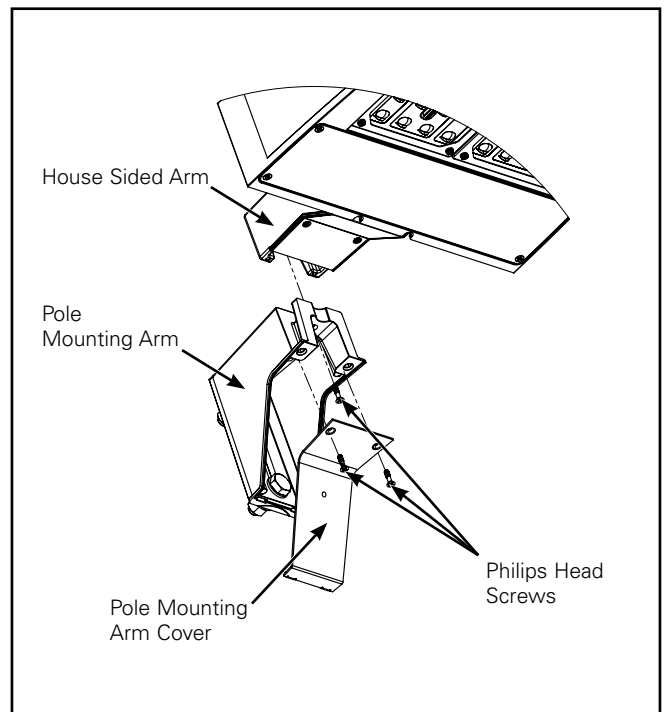


Figure 4.

Installation Instructions - Galleon LED Wall Mounted Luminaire

Pole Mount - Mast arm option (Figure 5. - Figure 7.)

1. Slip the assembly over the mast arm (Figure 5).

Note: Ensure the wires do not get pinched and the mast arm is fully seated into the mast arm adapter as it should bottom out against the adapter.

2. Secure the mast arm to the pole with the four 3/8-16 x 3/8" set screws and tighten to 120 in lbs.
3. Drill a 7/16" hole through the mast arm and install the 3/8" carriage bolt and nut and tighten to 200 in lbs. (Figure 6).

CAUTION

Use care when drilling this hole so as not to damage any wires within the mast arm.

4. Make wire connections inside the mounting arm. Refer to wire diagram for power connections (Figure 7). Connect the supply wires to appropriate luminaire leads.

- Supply ground wire to ground luminaire lead.
- Supply neutral wire to white luminaire lead.
- Supply line voltage wire to black luminaire lead.

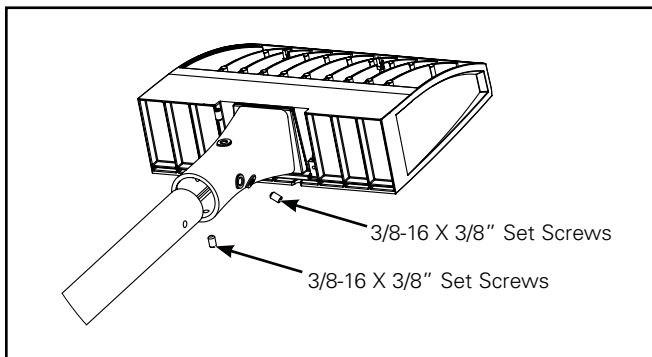


Figure 5.

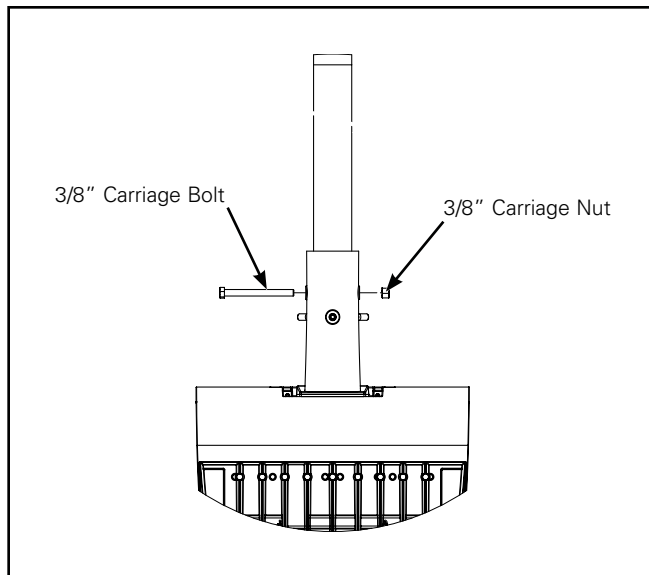


Figure 6.

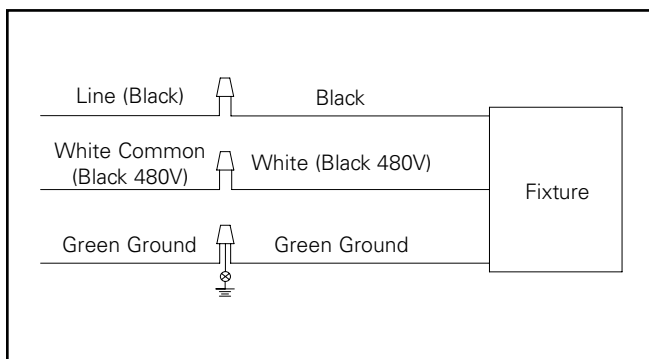


Figure 7.

Wall Mount – Battery back box emergency option (Figure 8.) For use in down light application only

Note: Unit with back box weighs more than 25 lbs., connect the mounting plate to the wall using the 4 largest holes and appropriate anchors/hardware (not provided).

1. Remove the mounting plate from the back of the back box by loosening two allen heads screws.
2. Mount the mounting plate to the wall using four larger holes with appropriate hardware (by others). Plate must be in the correct upright position per the label.
3. Connect the supply wires out of the wall to appropriate luminaire leads out of the back box.
 - Supply ground wire to ground luminaire lead.
 - Supply neutral wire to white luminaire lead.
 - Supply line voltage wire to black luminaire lead.

Note: The luminaire with back box assembly attached weighs over 25 lbs handle with appropriate safety measures.

4. Slide the back box mounting bracket over the lip of the mounting plate.

Note: Ensure the luminaire supply leads out of the back box do not get pinched.

5. Re tighten the two Allen head screws to secure the luminaire with back box assembly to the mounting plate.
6. Remove back box access door by loosening four screws.
7. Find the battery connector for battery pack and connect the male and female ends.
8. Retighten the four screws to attach the access cover back in place.

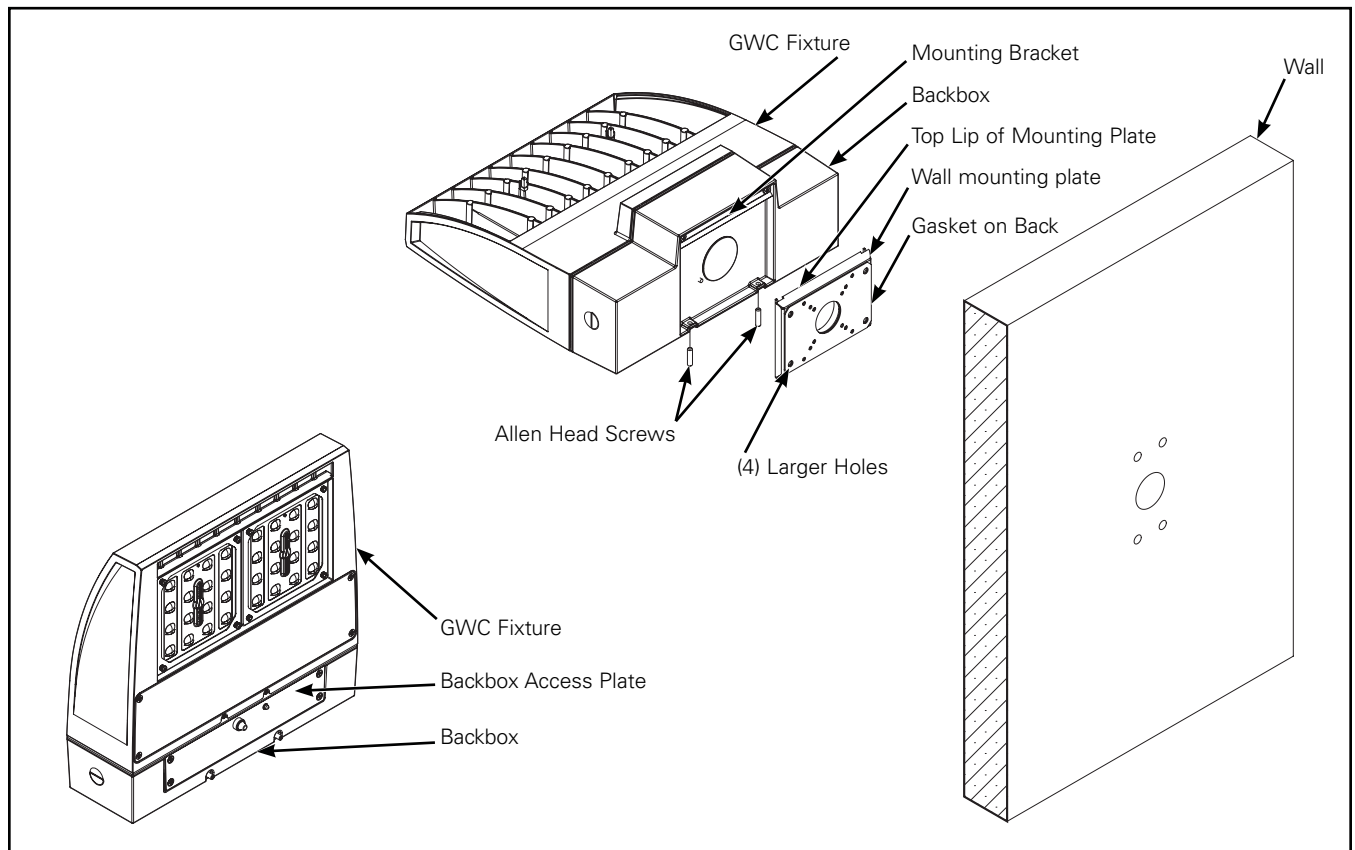


Figure 8.

FCC Statement

Note: This equipment has been tested and found to comply with the limits for a Class A digital device, pursuant to part 15 of the FCC Rules. These limits are designed to provide reasonable protection against harmful interference when the equipment is operated in a commercial environment. This equipment generates, uses, and can radiate radio frequency energy and, if not installed and used in accordance with the instruction manual, may cause harmful interference to radio communications. Operation of this equipment in a residential area is likely to cause harmful interference in which case the user will be required to correct the interference at his own expense.

Declaración de la FCC

Nota: Este equipo ha sido probado y cumple con los límites para un dispositivo digital de Clase A, de conformidad con la parte 15 de las Normas de la FCC. Estos límites están diseñados para proporcionar una protección razonable contra interferencias perjudiciales cuando el equipo se opera en un entorno comercial. Este equipo genera, utiliza y puede emitir energía de radiofrecuencia y, si no se instala y utiliza de acuerdo con el manual de instrucciones, puede causar interferencias perjudiciales en las comunicaciones de radio. El funcionamiento de este equipo en un área residencial puede causar interferencias perjudiciales, en cuyo caso el usuario deberá corregir las interferencias por su cuenta.

Warranties and Limitation of Liability

Please refer to www.cooperlighting.com for our terms and conditions.

Garanties et limitation de responsabilité

Veillez consulter le site www.cooperlighting.com pour obtenir les conditions générales.

Garantías y Limitación de Responsabilidad

Visite www.cooperlighting.com para conocer nuestros términos y condiciones.

Cooper Lighting Solutions
1121 Highway 74 South
Peachtree City, GA 30269
P: 770-486-4800
www.cooperlighting.com

© 2020 Cooper Lighting Solutions
All Rights Reserved
Printed in USA
Imprimé aux États-Unis
Impreso en los EE. UU.
Publication No. IB506001EN
March 11, 2020

Cooper Lighting Solutions is a registered trademark. All trademarks are property of their respective owners.

Cooper Lighting Solutions est une marque de commerce déposée. Toutes les autres marques de commerce sont la propriété de leur propriétaire respectif.

Cooper Lighting Solutions es una marca comercial registrada. Todas las marcas comerciales son propiedad de sus respectivos propietarios.

Product availability, specifications, and compliances are subject to change without notice.

La disponibilité du produit, les spécifications et les conformités peuvent être modifiées sans préavis.

La disponibilidad de productos, las especificaciones y los cumplimientos están sujetos a cambio sin previo aviso.

