

DESCRIPTION

The classic lines and sophisticated construction of Vision Site LED luminaire makes it an ideal complement to site design. Offering LED technology across the AVS and AVM, the Vision Site luminaire provides true family scaling in both physical form and lumen capability for architectural site lighting applications. UL/cUL listed for use in wet locations.

Catalog #		Type
Project		
Comments		Date
Prepared by		

SPECIFICATION FEATURES

Construction

HOUSING: Heavy-wall one-piece, die-cast aluminum housing has precise tolerance control and repeatability in manufacturing. Housing features a partition wall that isolates driver components for cooler operation. Integral aluminum heat sink provides superior thermal heat transfer in +40°C ambient environments. **DOOR:** One-piece, die-cast aluminum construction with tool-less release latch. Door swings down and is retained on two catch hinges. **GASKET:** Continuous gasket provided to seal housing to optic tray. **LENS:** Downlight lens is LED board integrated acrylic over-optics, each individually sealed for IP66 rating. **HARDWARE:** Tool-less release door latch is stainless steel/aluminum construction, painted to match housing and allows access to internal housing and electrical components.

Optics

Choice of twelve patented, high-efficiency AccuLED Optics™ distributions. Optics are precisely designed to shape the light output, maximizing efficiency and application spacing. AccuLED Optics technology creates consistent distributions with the scalability to meet customized application requirements. Offered Standard in 4000K (+/- 275K) CCT and minimum 70 CRI. Optional 3000K CCT, 5000K CCT and 5700K

CCT. For the ultimate level of spill light control, an optional house-side shield accessory can be field or factory installed. The house-side shield is designed to seamlessly integrate with the SL2, SL3 or SL4 optics.

Electrical

LED drivers mount to die-cast aluminum back housing for optimal heat sinking, operation efficacy, and prolonged life. Standard drivers feature electronic universal voltage (120-277V 50/60Hz), 347V 60Hz or 480V 60Hz operation. 480V is compatible for use with 480V Wye systems only. Greater than 0.9 power factor, less than 20% harmonic distortion, and is suitable for operation in -40°C to 40°C ambient environments. All fixtures are shipped standard with 10kV/10kA common – and differential – mode surge protection. LightBARs feature and IP66 enclosure rating and maintain greater than 95% lumen maintenance at 60,000 hours per IESNA TM-21. Occupancy sensor and dimming options available.

Mounting

ARM: One-piece extruded aluminum arm available in standard 5" lengths (AVS) and 6" and 10" (AVM). Internal bolts guides allow easy positioning of fixture during installation to pole or wall surface. **STRUCTURAL MOUNT:** Die-cast aluminum cleat

factory mounted to luminaire and finished in luminaire color. Stainless steel structural rod measures 1/2" in diameter and is provided in luminaire finish color or optional natural finish. Product works in conjunction with dedicated accessory arms (order separately). Poles are provided pre-drilled when structural mount option drill pattern is specified. Additional mounting accessories available.

Finish

Housing is finished in five-stage super premium TGIC polyester powder coat paint, 2.5 mil nominal thickness for superior protection against fade and wear. LightBAR cover plates are standard white and may be specified to match finish of luminaire housing. Standard colors include black, bronze, grey, white, dark platinum and graphite metallic. RAL and custom color matches available. Consult Outdoor Architectural Colors brochure for a complete selection. Options to meet Buy American and other domestic preference requirements.

Warranty

Five-year warranty.



AVS/AVM VISION SITE LED

1 - 6 LightBARs
Solid State LED

AREA/SITE LUMINAIRE



CERTIFICATION DATA

UL/cUL Listed
ISO 9001
IP66 LightBARs
LM79 / LM80 Compliant
1.5 G Vibration Tested
DesignLights Consortium™ Qualified*

ENERGY DATA

Electronic LED Driver
>0.9 Power Factor
<20% Total Harmonic Distortion
120-277V/50 & 60Hz, 347V/60Hz,
480V/60Hz
-30°C Minimum Temperature
40°C Ambient Temperature Rating

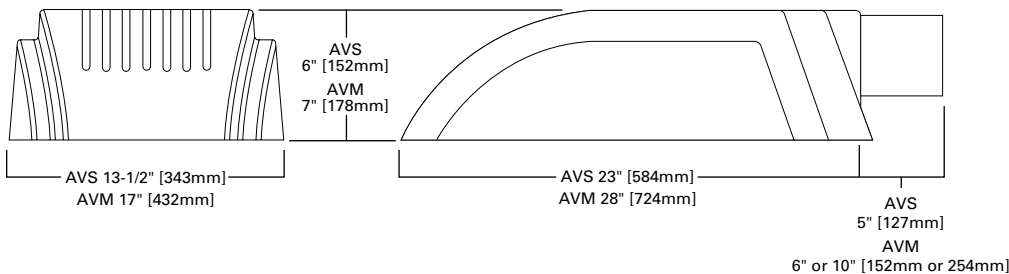
EPA

Effective Projected Area: (Sq. Ft.)
AVS Single: 1.18 w/Arm
AVS Single Structural: 1.27 w/Arm
AVM Single: 1.89 w/Arm
AVM Single Structural: 2.09 w/Arm

SHIPPING DATA

Approximate Net Weight:
AVS: 35 lbs. (15.91 kgs.)
AVM: 51 lbs. (23.18 kgs.)

DIMENSIONS



POWER AND LUMENS BY BAR COUNT (21 LED LIGHTBAR)

Number of LightBARs		E01	E02	E03	E04	E05	E06
Drive Current		350mA Drive Current					
Power (Watts)		25W	52W	75W	97W	127W	150W
Current @ 120V (A)		0.22	0.44	0.63	0.82	1.07	1.26
Current @ 277V (A)		0.10	0.20	0.28	0.36	0.48	0.56
Power (Watts)		31W	58W	82W	99W	132W	159W
Current @ 347V (A)		0.11	0.19	0.28	0.29	0.39	0.48
Current @480V (A)		0.09	0.15	0.20	0.21	0.30	0.36
T2	Lumens	3,064	6,128	9,192	12,255	15,319	18,383
	BUG Rating	B1-U0-G1	B2-U0-G2	B2-U0-G2	B3-U0-G3	B3-U0-G3	B3-U0-G3
T3	Lumens	3,084	6,168	9,252	12,336	15,420	18,504
	BUG Rating	B1-U0-G1	B2-U0-G2	B3-U0-G3	B3-U0-G3	B3-U0-G3	B3-U0-G3
T4	Lumens	3,022	6,044	9,066	12,088	15,110	18,132
	BUG Rating	B1-U0-G1	B1-U0-G2	B2-U0-G2	B2-U0-G2	B2-U0-G3	B3-U0-G3
5MQ	Lumens	3,224	6,448	9,672	12,896	16,120	19,344
	BUG Rating	B2-U0-G1	B3-U0-G1	B3-U0-G2	B4-U0-G2	B4-U0-G2	B4-U0-G2
5WQ	Lumens	3,184	6,368	9,551	12,735	15,919	19,103
	BUG Rating	B2-U0-G1	B3-U0-G1	B4-U0-G2	B4-U0-G2	B4-U0-G2	B5-U0-G3
5XQ	Lumens	3,181	6,361	9,542	12,722	15,903	19,083
	BUG Rating	B2-U0-G2	B3-U0-G2	B3-U0-G3	B4-U0-G3	B4-U0-G4	B4-U0-G4
SL2	Lumens	3,055	6,110	9,165	12,220	15,275	18,331
	BUG Rating	B1-U0-G1	B1-U0-G2	B2-U0-G2	B2-U0-G2	B3-U0-G3	B3-U0-G3
SL3	Lumens	3,036	6,072	9,108	12,145	15,181	18,217
	BUG Rating	B1-U0-G1	B1-U0-G2	B2-U0-G2	B2-U0-G2	B2-U0-G3	B3-U0-G3
SL4	Lumens	2,954	5,908	8,862	11,816	14,771	17,725
	BUG Rating	B1-U0-G1	B1-U0-G2	B2-U0-G2	B2-U0-G2	B2-U0-G3	B3-U0-G3
RW	Lumens	3,124	6,248	9,372	12,496	15,620	18,744
	BUG Rating	B2-U0-G2	B3-U0-G3	B3-U0-G3	B4-U0-G4	B4-U0-G4	B4-U0-G4
SLL/SLR	Lumens	2,782	5,565	8,347	11,130	13,912	16,695
	BUG Rating	B1-U0-G1	B1-U0-G2	B1-U0-G3	B2-U0-G3	B2-U0-G3	B2-U0-G4

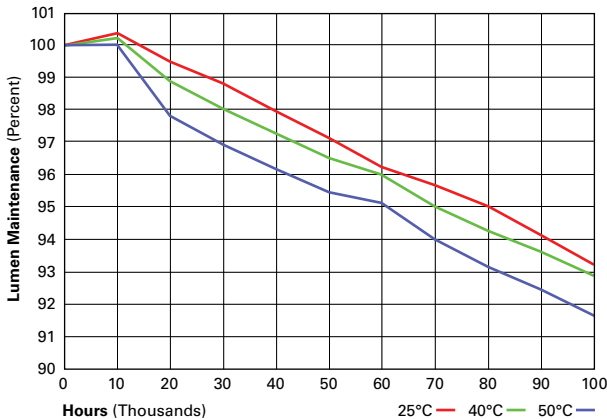
LUMEN MAINTENANCE

Ambient Temperature	25,000 Hours*	50,000 Hours*	60,000 Hours*	100,000 Hours	Theoretical L70 (Hours)
25°C	> 99%	> 97%	> 96%	> 93%	> 450,000
40°C	> 98%	> 97%	> 96%	> 92%	> 425,000
50°C	> 97%	> 96%	> 95%	> 91%	> 400,000

* Per IESNA TM-21 data.

LUMEN MULTIPLIER

Ambient Temperature	Lumen Multiplier
10°C	1.02
15°C	1.01
25°C	1.00
40°C	0.99



Cooper Lighting Solutions
 1121 Highway 74 South
 Peachtree City, GA 30269
 P: 770-486-4800
 www.cooperlighting.com

Specifications and dimensions subject to change without notice.

POWER AND LUMENS BY BAR COUNT (7 LED LIGHTBAR)

Number of LightBARs		F01	F02	F03	F04	F05	F06
Drive Current		1A Drive Current					
Power (Watts)		26W	55W	78W	102W	133W	157W
Current @ 120V (A)		0.22	0.46	0.66	0.86	1.12	1.31
Current @ 277V (A)		0.10	0.21	0.29	0.37	0.50	0.58
Power (Watts)		32W	60W	85W	105W	137W	164W
Current @ 347V (A)		0.11	0.19	0.28	0.30	0.41	0.49
Current @480V (A)		0.09	0.15	0.21	0.22	0.31	0.37
T2	Lumens	2,529	5,059	7,588	10,117	12,646	15,176
	BUG Rating	B1-U0-G1	B2-U0-G2	B2-U0-G2	B3-U0-G3	B3-U0-G3	B3-U0-G3
T3	Lumens	2,546	5,092	7,638	10,183	12,729	15,275
	BUG Rating	B1-U0-G1	B2-U0-G2	B2-U0-G2	B3-U0-G3	B3-U0-G3	B3-U0-G3
T4	Lumens	2,495	4,990	7,484	9,979	12,474	14,969
	BUG Rating	B1-U0-G1	B1-U0-G2	B1-U0-G2	B2-U0-G2	B2-U0-G2	B2-U0-G3
5MQ	Lumens	2,662	5,323	7,985	10,646	13,308	15,969
	BUG Rating	B2-U0-G1	B3-U0-G1	B3-U0-G1	B3-U0-G2	B4-U0-G2	B4-U0-G2
5WQ	Lumens	2,628	5,257	7,885	10,513	13,142	15,770
	BUG Rating	B2-U0-G1	B3-U0-G1	B3-U0-G2	B4-U0-G2	B4-U0-G2	B4-U0-G2
5XQ	Lumens	2,626	5,251	7,877	10,502	13,128	15,754
	BUG Rating	B2-U0-G1	B3-U0-G2	B3-U0-G3	B4-U0-G3	B4-U0-G3	B4-U0-G4
SL2	Lumens	2,522	5,044	7,566	10,088	12,610	15,132
	BUG Rating	B1-U0-G1	B1-U0-G1	B2-U0-G2	B2-U0-G2	B2-U0-G2	B3-U0-G3
SL3	Lumens	2,506	5,013	7,519	10,026	12,532	15,039
	BUG Rating	B1-U0-G1	B1-U0-G1	B1-U0-G2	B2-U0-G2	B2-U0-G2	B2-U0-G3
SL4	Lumens	2,439	4,877	7,316	9,755	12,193	14,632
	BUG Rating	B1-U0-G1	B1-U0-G2	B1-U0-G2	B2-U0-G2	B2-U0-G2	B2-U0-G3
RW	Lumens	2,579	5,158	7,737	10,316	12,894	15,473
	BUG Rating	B2-U0-G2	B3-U0-G3	B3-U0-G3	B3-U0-G3	B4-U0-G4	B4-U0-G4
SLL/SLR	Lumens	2,297	4,594	6,891	9,188	11,485	13,782
	BUG Rating	B1-U0-G1	B1-U0-G2	B1-U0-G2	B1-U0-G3	B2-U0-G3	B2-U0-G3

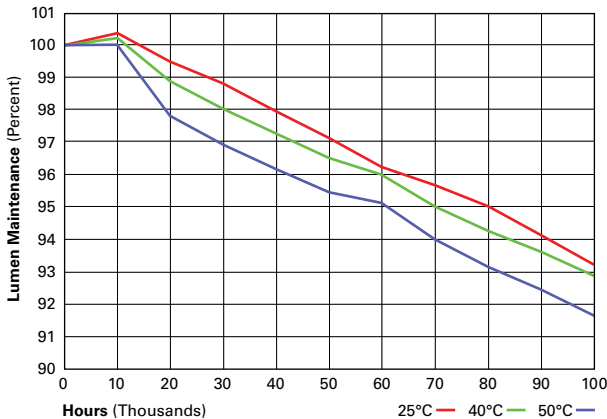
LUMEN MAINTENANCE

Ambient Temperature	25,000 Hours*	50,000 Hours*	60,000 Hours*	100,000 Hours	Theoretical L70 (Hours)
25°C	> 99%	> 97%	> 96%	> 93%	> 450,000
40°C	> 98%	> 97%	> 96%	> 92%	> 425,000
50°C	> 97%	> 96%	> 95%	> 91%	> 400,000

* Per IESNA TM-21 data.

LUMEN MULTIPLIER

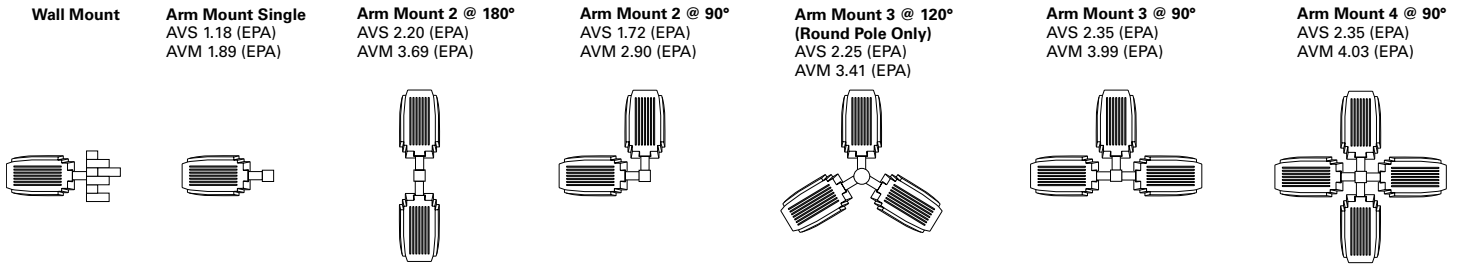
Ambient Temperature	Lumen Multiplier
10°C	1.02
15°C	1.01
25°C	1.00
40°C	0.99



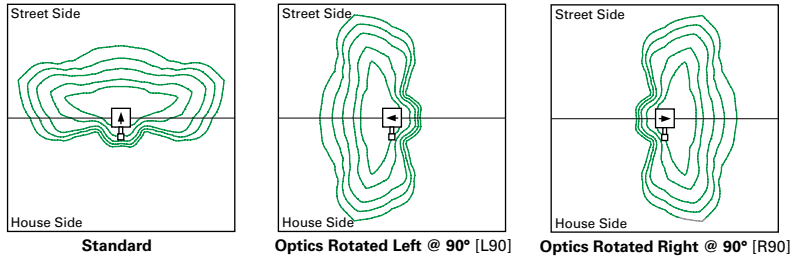
Cooper Lighting Solutions
 1121 Highway 74 South
 Peachtree City, GA 30269
 P: 770-486-4800
 www.cooperlighting.com

Specifications and dimensions subject to change without notice.

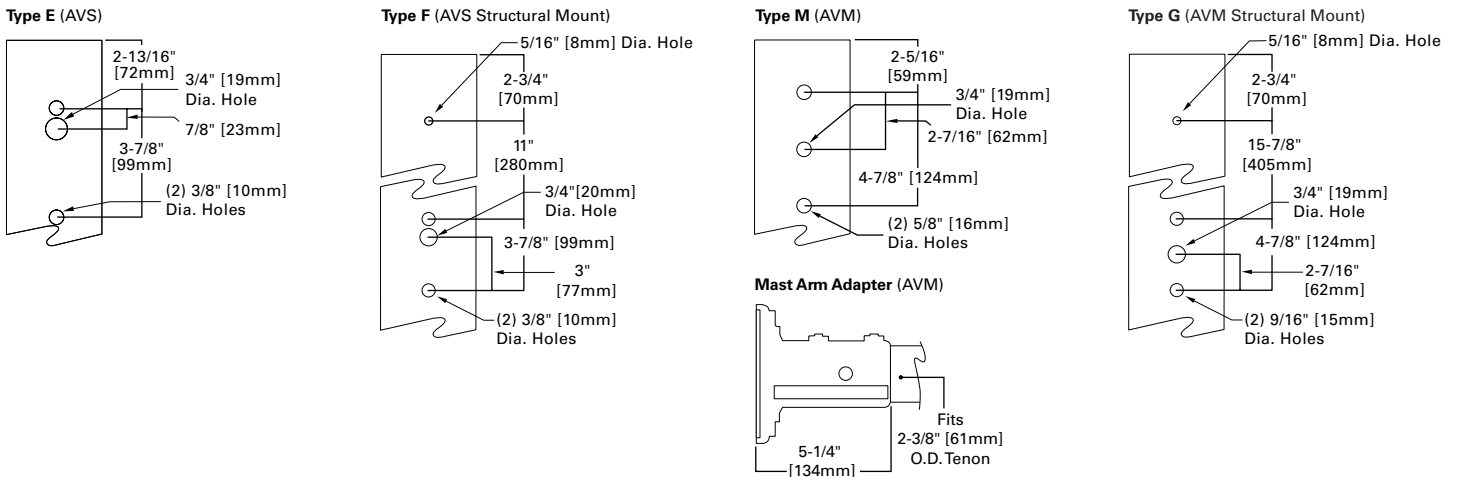
MOUNTING VARIATIONS AND EPAS



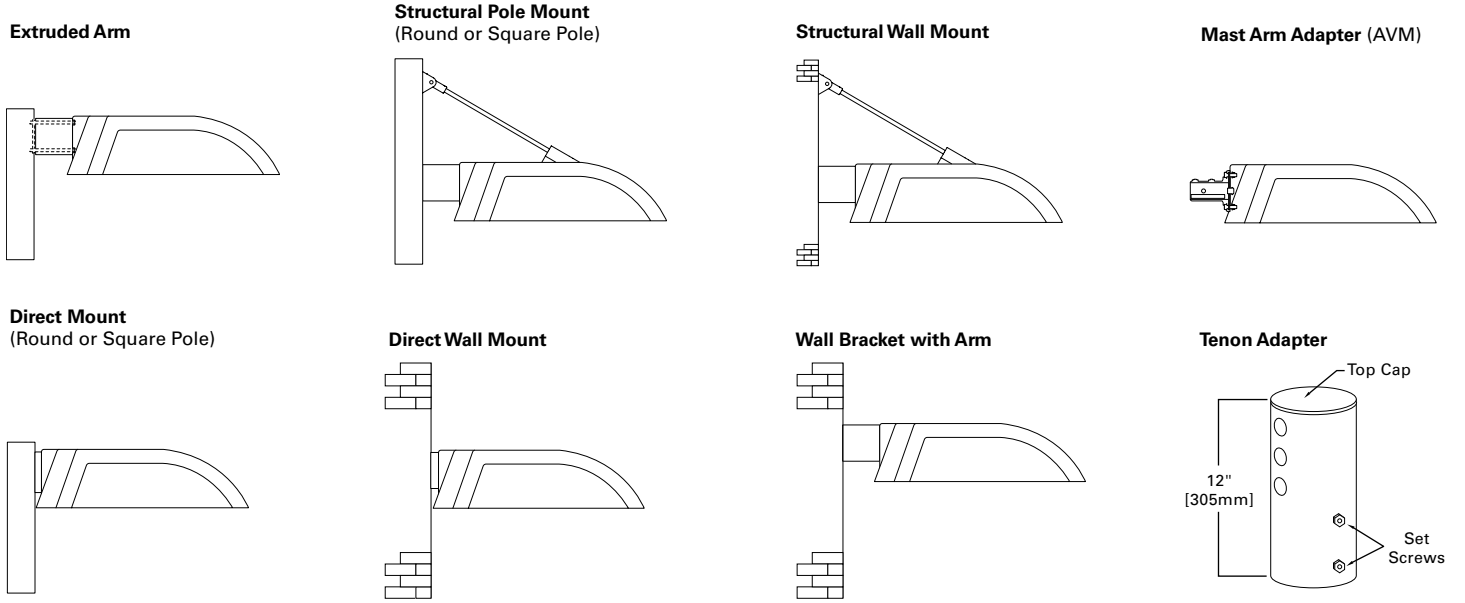
OPTIC ORIENTATION



POLE DRILLING PATTERNS AND MOUNTING OPTIONS



MOUNTING OPTIONS AND ACCESSORIES



ORDERING INFORMATION

Sample Number: AVS-E04-LED-E-U-T3-AP-CPS

Product Family ^{1,2,3}	Number of LightBARs ^{4,5}	Lamp Type	Ballast Type	Voltage	Distribution	Color ⁸
AVS =Vision Site Small AVM =Vision Site Medium BAA-AVS =Vision Site Small, Buy American Act Compliant ²⁵ TAA-AVS =Vision Site Small, Trade Agreements Act Compliant ²⁵ BAA-AVM =Vision Site Medium Small, Buy American Act Compliant ²⁵ TAA-AVM =Vision Site Medium, Trade Agreements Act Compliant ²⁵	E01 =(1) 21 LED LightBAR E02 =(2) 21 LED LightBARs E03 =(3) 21 LED LightBARs E04 =(4) 21 LED LightBARs E05 =(5) 21 LED LightBARs ⁶ E06 =(6) 21 LED LightBARs ⁶ F01 =(1) 7 LED LightBAR F02 =(2) 7 LED LightBARs F03 =(3) 7 LED LightBARs F04 =(4) 7 LED LightBARs F05 =(5) 7 LED LightBARs ⁶ F06 =(6) 7 LED LightBARs ⁶	LED =Solid State Light Emitting Diode	E =Electronic	U =Universal (120-277V) 8 =480V ⁷ 9 =347V	T2 =Type II T3 =Type III T4 =Type IV 5MQ =Type V Square Medium 5WQ =Type V Square Wide 5XQ =Type V Square Extra Wide RW =Rectangular Wide SL2 =Type II with Spill Control SL3 =Type III with Spill Control SL4 =Type IV with Spill Control SLL =90° Spill Light Eliminator Left SLR =90° Spill Light Eliminator Right	AP =Grey BZ =Bronze BK =Black DP =Dark Platinum GM =Graphite Metallic WH =White RALxx =Custom Color
Structural Options ^{3,9}			Options (Add as Suffix)			
Pole Mount CPS =Strut Rod/Square Pole Painted to match fixture. Does not include arm) ¹⁰ CSS =Strut Rod/Square Pole Stainless Steel (Cleviss painted to match fixture. Does not include arm) ¹⁰ CPR =Strut Rod/Round Pole (Painted to match fixture. Does not include arm) ¹¹ CSR =Strut Rod/Round Pole Stainless Steel (Cleviss painted to match fixture. Does not include arm) ¹¹ Wall Mount CPW =Strut Rod/Wall Mount (Painted to match fixture. Does not include arm) ¹² CSW =Strut Rod/Wall Mount Stainless Steel (Cleviss painted to match fixture. Does not include arm) ¹²			2L =Two Circuits ¹³ 7030 =70 CRI / 3000K CCT 7050 =70 CRI / 5000K CCT ¹⁴ 7060 =70 CRI / 5700K CCT 8030 =80 CRI / 3000K CCT L90 =Optics Rotated Left 90° R90 =Optics Rotated Right 90° 3 =Three-Position Terminal Block 4 =NEMA Photocontrol Receptacle U =UL Listed/CSA Certified ICB =Integral Cold Weather Battery Pack (Specify 120 or 277V) ¹⁵ DIM =0-10V Dimming Driver MS-LXX =Motion Sensor for ON/OFF Operation ¹⁶ MS/X-LXX =Motion Sensor for Bi-Level Switching ¹⁷ DIMRF-LW =LumaWatt Wireless Sensor, Wide Lens for 8' - 16' Mounting Height ¹⁸ DIMRF-LN =LumaWatt Wireless Sensor, Narrow Lens for 16' - 40' Mounting Height ¹⁸ HSS =Field Installed House Side Shield ¹⁹			
Accessories (Order Separately) ^{20,26}						
OA/RA1016 =NEMA Photocontrol - Multi-Tap OA/RA1027 =NEMA Photocontrol - 480V OA/RA1201 =NEMA Photocontrol - 347V OA1223 =10kV Circuit Module Replacement LS/HSS =Factory Installed House Side Shield ²¹ AVS SA1071-XX =5" Arm for Square Pole SA1073-XX =Direct Mount for Square Pole SA1074-XX =5" Arm for Round Pole SA1076-XX =Direct Mount for Round Pole SA1077-XX =Wall Bracket with 5" Arm ²² SA1200-XX =Direct Wall Mount Kit ²² SA1101-XX =Single Tenon Adapter for 2-3/8" O.D. Tenon SA1102-XX =2@180° Tenon Adapter for 2-3/8" O.D. Tenon SA1103-XX =3@120° Tenon Adapter for 2-3/8" O.D. Tenon SA1104-XX =4@90° Tenon Adapter for 2-3/8" O.D. Tenon SA1105-XX =2@90° Tenon Adapter for 2-3/8" O.D. Tenon SA1106-XX =3@90° Tenon Adapter for 2-3/8" O.D. Tenon SA1107-XX =2@120° Tenon Adapter for 2-3/8" O.D. Tenon		SA1108-XX =Single Tenon Adapter for 3-1/2" O.D. Tenon SA1109-XX =2@180° Tenon Adapter for 3-1/2" O.D. Tenon SA1110-XX =3@120° Tenon Adapter for 3-1/2" O.D. Tenon SA1111-XX =4@90° Tenon Adapter for 3-1/2" O.D. Tenon SA1112-XX =2@90° Tenon Adapter for 3-1/2" O.D. Tenon SA1113-XX =3@90° Tenon Adapter for 3-1/2" O.D. Tenon SA1114-XX =2@120° Tenon Adapter for 3-1/2" O.D. Tenon AVM SA1050-XX =6" Arm for Square Pole SA1051-XX =10" Arm for Square Pole ²³ SA1052-XX =6" Arm for Round Pole SA1053-XX =10" Arm for Round Pole ²³ SA1054-XX =Wall Mount Kit with 6" Arm SA1056-XX =Direct Mount for Square Pole SA1057-XX =Direct Mount for Round Pole SA1058-XX =Wall Bracket with 6" Arm ²² SA1201-XX =Direct Wall Mount Kit ²²			SA1231-XX =Structural Mount Wall Mount Arm ²⁴ SA1017-XX =Single Tenon Adapter for 2-3/8" O.D. Tenon SA1018-XX =2@180° Tenon Adapter for 2-3/8" O.D. Tenon SA1019-XX =3@120° Tenon Adapter for 2-3/8" O.D. Tenon SA1045-XX =4@90° Tenon Adapter for 2-3/8" O.D. Tenon SA1048-XX =2@90° Tenon Adapter for 2-3/8" O.D. Tenon SA1115-XX =3@90° Tenon Adapter for 2-3/8" O.D. Tenon SA1116-XX =2@120° Tenon Adapter for 2-3/8" O.D. Tenon SA1010-XX =Single Tenon Adapter for 3-1/2" O.D. Tenon SA1011-XX =2@180° Tenon Adapter for 3-1/2" O.D. Tenon SA1012-XX =3@120° Tenon Adapter for 3-1/2" O.D. Tenon SA1013-XX =4@90° Tenon Adapter for 3-1/2" O.D. Tenon SA1014-XX =2@90° Tenon Adapter for 3-1/2" O.D. Tenon SA1015-XX =2@120° Tenon Adapter for 3-1/2" O.D. Tenon SA1016-XX =3@90° Tenon Adapter for 3-1/2" O.D. Tenon	

- NOTES:**
- Customer is responsible for engineering analysis to confirm pole and fixture compatibility for all applications. Refer to our white paper WP513001EN for additional support information.
 - DesignLights Consortium™ Qualified. Refer to www.designlights.org Qualified Products List under Family Models for details.
 - Arm not included. Order separately.
 - Standard 4000K CCT and greater than 70 CRI.
 - 21 LED LightBAR powered at 350mA, 7 LED LightBAR powered at 1A.
 - Available on AVM only.
 - Only for use with 480V Wye systems. Per NEC, not for use with ungrounded systems, impedance grounded systems or corner grounded systems (commonly known as Three Phase Three Wire Delta, Three Phase High Leg Delta and Three Phase Corner Grounded Delta systems).
 - Custom and RAL color matching available upon request. Consult your customer service representative for more information.
 - Add as suffix in the order shown.
 - Compatible with 5" SA1071 (AVS) or 10" SA1051 (AVM) arm only.
 - Compatible with 5" SA1074 (AVS) or 10" SA1053 (AVM) arm only.
 - Wall mount structural options do not include arm assembly (See accessories). Compatible with 5" SA1071 (AVS) or SA1231 (AVM) arm only.
 - Low-level output varies by bar count. Consult factory. Requires two or more light bars.
 - Extended lead times apply. See website for IES files.
 - Available with E01-E02 and F01-F02 configurations only (AVS) or E01-E04 and F01-F04 configurations only (AVM). Specify 120V or 277V. LED cold weather integral battery pack is rated for minimum operating temperature -4°F (-20°C). Operates one light bar for 90-minutes. Not available in all configurations, consult factory. Rated for use in 25°C ambient.
 - Sensor mounted to the luminaire. Available in E01-E04 and F01-F04 configurations (AVS) or E01-E06 and F01-F06 configurations (AVM). Replace XX with mounting height in feet for proper lens selection (e.g., MS-L25). Consult factory for more information.
 - Sensor mounted to the luminaire. Available in E02-E04 and F02-F04 configurations (AVS) or E01-E06 and F01-F06 configurations (AVM). Replace X with number of light bars operating at low output mode and replace XX with mounting height in feet for proper lens selection (e.g., MS/3-L25). Maximum four light bars in low output mode. Consult factory for more information.
 - LumaWatt wireless sensors are factory installed only requiring network components RF-EM1, RF-GW1 and RF-ROUT1 in appropriate quantities. See www.cooperlighting.com/lighting for LumaWatt application information.
 - Only for use with SL2, SL3 and SL4 distributions. Not available with L90 or R90 options.
 - Replace XX with color designation.
 - One required for each light bars. Not available with L90 or R90 options.
 - For use in downlighting applications only.
 - Use when mounting fixture heads at 90° increments.
 - Includes arm only. Must specify CPW or CSW in fixture ordering logic. Downlighting applications only.
 - Only product configurations with these designated prefixes are built to be compliant with the Buy American Act of 1933 (BAA) or Trade Agreements Act of 1979 (TAA), respectively. Please refer to [DOMESTIC PREFERENCES](#) website for more information. Components shipped separately may be separately analyzed under domestic preference requirements.
 - Accessories sold separately will be separately analyzed under domestic preference requirements. Consult factory for further information.



Cooper Lighting Solutions
 1121 Highway 74 South
 Peachtree City, GA 30269
 P: 770-486-4800
 www.cooperlighting.com

Specifications and dimensions subject to change without notice.