

Project		Catalog #		Type	
Prepared by		Notes		Date	



Streetworks

ARC Generation Series Avenue

Decorative Luminaire

Product Features



Product Certifications



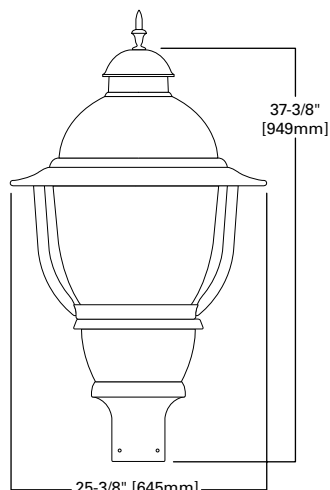
Interactive Menu

- Ordering Information [page 2](#)
- Product Specifications [page 2](#)
- Energy and Performance Data [page 3](#)

Quick Facts

- LED CCTs include 2200K, 2700K, 3000K, 4000K, 5000K, and 5700K 70 CRI
- 4000K lumen packages ranging from 5,000 lumens to 16,000 lumens
- Available in Type III and Type V distributions
- Tool-less removable power tray for ease of maintenance
- Standard 0-10V dimming
- Field Adjustable Dimming Control available

Dimensional Details



Fixture Weights and EPAs

EPA (sq. ft.)	Weight (lbs)
2.1	50 (23 kgs.)

NOTES:
1. DesignLights Consortium® Qualified. Refer to www.designlights.org Qualified Products List under Family Models for details.

Ordering Information

SAMPLE NUMBER: **ARC-CA6-50-740-U-55-6-5-2-BK**

Product Family ¹	LED Series	Nominal Power	Color Temperature	Voltage	Refractor Type	Cage Type	Top Type	Finial Type	Color
ARC =Architectural Base BAA-ARC =Architectural Base Buy American Act Compliant ² TAA-ARC =Architectural Base Trade Agreements Act Compliant ²	CA6 =COB Light Engine	50 =50W 60 =60W 70 =70W 80 =80W 90 =90W 100 =100W 110 =110W 120 =120W 130 =130W	722 =70CRI, 2200K 727 =70CRI, 2700K 730 =70CRI, 3000K 740 =70CRI, 4000K 750 =70CRI, 5000K 760 =70CRI, 5700K	U =Universal (120-277V) H =High Voltage (347-480V)	33 =Type III 55 =Type V	6 =Avenue X =None	5 =Avenue (Top Access)	1 =Victorian 2 =Modern 3 =Architectural 4 =Nostalgic X =None	AP =Grey BK =Black BZ =Bronze DP =Dark Platinum GM =Graphite Metallic GN =Hartford Green WH =White RALXXXX =RAL Number
Options (Add as Suffix)				Controls		Accessories (Order Separately) ⁹			
10MSP =Parallel 10kV MOV Surge Protective Device 20MSP =Parallel 20kV MOV Surge Protective Device 20K =Series 20kV UL 1449 Surge Protective Device 20KI =Series 20kV UL 1449 Surge Protective Device with light indicator P =Polycarbonate Refractor W =External wire leads 20ft C =Copper Accents GHSS =Generation Housing Streetside only ⁴ CC =Coastal Construction				DALI =DALI Driver(s) ⁵ FADC =Field Adjustable Dimming Controller PR =NEMA 3-PIN Twistlock Photocontrol Receptacle PR7 =NEMA 7-PIN Twistlock Photocontrol Receptacle ^{6,7} AN8 =M2M Antennae (915MHz) ⁸		OA1222 =10kV Surge Module			

- NOTES:**
- Customer is responsible for engineering analysis to confirm pole and fixture compatibility for all applications.
 - Only product configurations with these designated prefixes are built to be compliant with the Buy American Act of 1933 (BAA) or Trade Agreements Act of 1979 (TAA), respectively. Please refer to [Domestic Preferences](#) website for more information. Components shipped separately may be separately analyzed under domestic preference requirements.
 - Cage type painted to match base.
 - Type III only. Only available in 80W to 130W nominal output. Approximately 50% of nominal power and energy usage. Consult spec sheet performance tables and IES files on ARC Avenue product page for actual lumen and wattage value.
 - Available for Nominal Power 50W - 100W only.
 - Height of dimming node/photocell cannot exceed 2.8" at outer edge.
 - Depending on characteristics of dimming node, may need to extend antenna out of housing. Consult your lighting representative at Cooper Lighting Solutions for more information.
 - For use with control systems where M2M is required.
 - Accessories sold separately will be separately analyzed under domestic preference requirements. Consult factory for further information.

Product Specifications

Construction

- Heavy-duty cast aluminum housing and removable door
- A single quarter turn fastener on the removable door provides tool-less access to wiring compartment
- Cage assembly uprights and medallions are manufactured of heavy-duty cast aluminum and mounted to the exterior of the base housing via four stainless steel fasteners
- Cage rings constructed of extruded aluminum and finished to match housing
- Choose from multiple spun aluminum or acrylic tops and cast aluminum finials for customized fixture style
- All solid tops are made of heavy-duty spun aluminum

Optics

- High efficiency refractive optical systems are precisely designed utilizing a combination of refractive and reflective prisms
- Available in Type III or Type V distributions
- Lighting grade acrylic ensures long lasting optical clarity and resistance to discoloration

Electrical

- 120-277V 50/60Hz operation
- 10kV/10kA common and differential mode surge protection standard
- 0-10V dimming standard
- Thermal management transfers heat rapidly away from the LED source for optimal efficiency and light output; Ambient operating temperature from -40°C to 40°C
- Standard three-position tunnel type compression terminal block

Mounting

- Base casting slipfits over a standard 3" O.D. tenon and secured via four stainless steel allen head fasteners

Finish

- Cast and spun components finished in a five-stage premium TGIC polyester powder coat paint, 2.5 mil nominal thickness for superior protection against fade and wear
- A complete selection of standard colors includes grey, black, bronze, dark platinum, graphic metallic, hartford green, white, and specified RAL numbers
- Consult your Streetworks representative for available custom color matches

Typical Applications

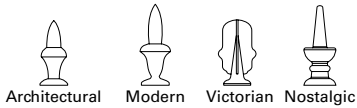
- Outdoor, Parking Lots, Walkways, Roadways, Building Areas

Warranty

- Five-year warranty

Configurations

FINIAL TYPE



Energy Performance Data

LED Color Multipliers

	CCT					
	2200	2700	3000	3500	4000	5000
CRI	Lumen Multiplier*					
70	0.74	0.84	0.91	0.93	1.00	1.00
80	--	0.75	--	--	--	--

NOTES: * Estimates, refer to IES files for accuracy.

Lumen Maintenance

Ambient Temperature	25,000 hours*	50,000 hours*	L70* (Hours)
25°C	95.4%	91.4%	> 54,000
40°C	95.6%	89.9%	> 54,000

NOTES: *Calculation provided in accordance with IES TM-21-11 using the configuration resulting in highest LED temperature.

ARC Avenue

		70 CRI, 4000K											
		Nominal Power (Watts)	50	60	70	80	90	100	110	120	130		
		Actual Wattage	54	64	74	84	94	104	112	119	124		
		Current @ 120V	0.42	0.50	0.58	0.67	0.75	0.83	0.92	1.00	1.08		
		Current @ 277V	0.18	0.22	0.25	0.29	0.32	0.36	0.40	0.43	0.47		
		Current @ 347V	0.14	0.17	0.20	0.23	0.26	0.29	0.32	0.35	0.37		
		Current @ 480V	0.10	0.13	0.15	0.17	0.19	0.21	0.23	0.25	0.27		
Avenue Top + Avenue Cage		T3	Lumens	5,231	6,137	7,017	7,911	8,742	9,547	10,160	11,010	11,446	
			Efficacy (lm/w)	97	96	95	94	93	92	91	93	92	
		T5	Lumens	5,274	6,187	7,075	7,976	8,814	9,626	10,243	11,100	11,540	
			Efficacy (lm/w)	98	97	96	95	94	93	91	93	93	
Avenue Top, No Cage		T3	Lumens	7,713	9,049	10,347	11,665	12,890	14,077	14,980	16,233	16,877	
			Efficacy (lm/w)	143	141	140	139	137	135	134	136	136	
		T5	Lumens	7,503	8,802	10,065	11,347	12,539	13,694	14,573	15,792	16,417	
			Efficacy (lm/w)	139	138	136	135	133	132	130	133	132	
		Actual Wattage		--	--	--	42	47	52	56	60	63	
Street Side Only	Avenue Top + Avenue Cage		T3-GHSS*	Lumens	--	--	--	3,702	4,091	4,467	4,754	5,152	5,356
				Efficacy (lm/w)	--	--	--	87	87	86	84	86	86
	Avenue Top, No Cage		T3-GHSS*	Lumens	--	--	--	5,701	6,300	6,880	7,321	7,933	8,248
				Efficacy (lm/w)	--	--	--	135	134	132	130	133	132

NOTES: *Available only on type 3 distribution. Only available from 80W to 130W.

FADC Settings
Nominal Power 50W

FADC Position	Percent of Typical Lumen Output
1	25%
2	48%
3	56%
4	65%
5	75%
6	80%
7	85%
8	90%
9	95%
10	100%

FADC Settings
Nominal Power 60W-130W

FADC Position	Percent of Typical Lumen Output
1	14%
2	25%
3	32%
4	43%
5	49%
6	57%
7	65%
8	72%
9	80%
10	100%

FADC Settings
Nominal Power 80W-130W GHSS option

FADC Position	Percent of Typical Lumen Output
1	25%
2	48%
3	56%
4	65%
5	75%
6	80%
7	85%
8	90%
9	95%
10	100%