

DESCRIPTION

The ARC Generation Series Avenue provides an updated styling and smooth exterior appearance, making it the perfect choice to add a contemporary feel to any setting. Its superior photometrics offer excellent illumination and uniformity for many of today's applications. Its styling blends well in many settings – historic districts, downtown streetscapes, roadways, residential neighborhoods, as well as city parks and educational institutions. The Generation Series sets a new standard for decorative post top luminaires.

Catalog #		Type	
Project			
Comments		Date	
Prepared by			

SPECIFICATION FEATURES

Construction

HOUSING: Heavy-duty cast aluminum housing and removable door. A single quarter turn fastener on the removable door provides tool-less access to wiring compartment. **CAGE ASSEMBLY** Cage assembly manufactured of heavy-duty cast aluminum and mounted to the exterior of the base housing via four stainless steel fasteners. Finished to match housing. **TOPS AND FINIALS:** Avenue top is heavy-duty spun aluminum offering top access for tool-less entrance into the source compartment during maintenance. Choose from four cast aluminum finials for customized fixture style. **TWISTLOCK GLOBE:** The optional twistlock assembly offers ease of maintenance through instant access to both the LED and wiring compartment by twisting the top refractor assembly and lifting it from the mating lock plate.

Electrical

LAMP: Available up to 320W Pulse Start Metal Halide and 250W High Pressure Sodium. **BALLAST:** Ballast assembly is mounted on a removable tray with quick disconnects for ease of installation and maintenance. Plug-in starter standard when applicable. Terminal block is hard mounted to the casting and easily accessible through the door's wide entryway. UL listing available.

Optical

REFRACTIVE GLOBE: High efficiency refractive optical systems constructed of lighting grade acrylic or optional polycarbonate. The globes are precisely designed utilizing a combination of refractive and reflective prisms to create Type III or Type V distributions while maintaining a consistent exterior form. Lighting grade acrylic ensures long lasting optical clarity and resistance to the gradual discoloration that results from exposure to sunlight or UV radiating sources.

Mounting

Base casting slipfits over a standard 3" O.D. tenon and secured via four stainless steel allen head fasteners. 3G vibration tested.

Finish

Cast and spun components finished in a five-stage premium TGIC polyester powder coat paint, 2.5 mil nominal thickness for superior protection against fade and wear. Consult your Streetworks representative for a complete selection of standard colors including black, bronze, grey, white, dark platinum, graphite metallic and hartford green. RAL and custom color matches available.

Efficiency Standards Notice

Select luminaires are manufactured to USA and California efficiency regulations.



ARC GENERATION SERIES AVENUE

70 - 320W

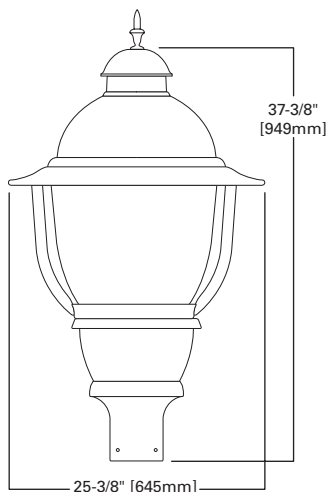
Pulse Start Metal Halide

50 - 250W

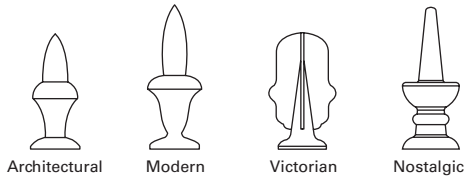
High Pressure Sodium

DECORATIVE POST TOP
LUMINAIRE

DIMENSIONS



FINIALS



ORDERING INFORMATION

Sample Number: ARC25PWW33652BK

Product Family ¹	Lamp Wattage ²	Lamp Type	Ballast Type	Voltage	Refractor Type	Cage Type ⁹	Top Type	Finial Type	Color
ARC=Architectural Base	Pulse Start Metal Halide 70=70W 10=100W 15=150W 25=250W 32=320W ³ High Pressure Sodium 50=50W 70=70W 10=100W 15=150W 25=250W	P=Pulse Start Metal Halide S=High Pressure Sodium	H=Reac./HPF K=10kV CWA ⁴ N=Hi.Reac./NPF P=Hi.Reac./HPF ⁵ R=Reac./NPF ⁶ W=CWA ⁷	2=120V 0=208V 4=240V 7=277V 8=480V ⁸ 9=347V W=Multi-Tap wired 120V N=Multi-Tap wired 277V	33=Type III 55=Type V	6=Avenue X=None	5=Avenue (Top Access)	1=Victorian 2=Modern 3=Architectural 4=Nostalgic X=None	AP=Grey BZ=Bronze BK=Black DP=Dark Platinum GN=Hartford Green GM=Graphite Metallic WH=White
Options (Add as Suffix)					Accessories (Order Separately)				
1=Single Fuse (120, 277 or 347V. Specify Voltage) 2=Double Fuse (208, 240 or 480V. Specify Voltage) 4=NEMA Photocontrol Receptacle R=Downlight Reflector L=Lamp Included U=UL/CSA Listed					AA2000=House Side Shield - Mogul-base Socket AA2001=House Side Shield - Medium-base Socket				

NOTES:

- Customer is responsible for engineering analysis to confirm pole and fixture compatibility for all applications. Refer to our white paper WP513001EN for additional support information.
- Medium-base pulse start metal halide is standard in 150W and below.
- Consult an Cooper Lighting Solutions representative for availability of EISA compliant linear reactor pulse start metal halide ballasts.
- Available 50-150W. 120/240V or single voltage only.
- Pulse start metal halide EISA compliant high reactance ballasts are available in 70, 100 and 150 watts.
- Available in 120V only.
- Pulse start metal halide EISA compliant constant wattage autotransformer (CWA) ballasts are available in 150, 250 and 320 watts.
- Pulse start metal halide 150W 480V requires high reactance to meet EISA requirements.
- Cage type painted to match housing.