

DESCRIPTION

The Generation Series Avenue Cutoff Series provides an updated styling and smooth exterior appearance, making it the perfect choice to add a contemporary feel to any setting. The CVL optical systems achieve an IES cutoff classification while providing excellent performance and uniformity.

Catalog #		Type
Project		
Comments		Date
Prepared by		

SPECIFICATION FEATURES

Construction

HOUSING: Heavy-duty cast aluminum housing and removable door 3G vibration tested to ensure strength of construction and longevity in application. A single quarter turn fastener on the removable door provides tool-less access to the electrical compartment, terminal block and the optional internally mounted photocontrol receptacle for ease of installation and maintenance. **CAGE ASSEMBLIES:** Cage assembly manufactured of heavy-duty cast aluminum and mounted to the exterior of the base housing via four stainless steel fasteners. Finished to match housing. **TOPS AND FINIALS:** Avenue top is heavy-duty spun aluminum offering top access for tool-less entrance into the lamp compartment during relamping or maintenance. Choose from four cast aluminum finials for customized fixture style.

Electrical

HID ballast assembly mounted to a tool-less removable tray with quick disconnects for ease of installation and maintenance. Wide tool-less access door provides ample hand and tool room for terminal block and plug-in starter access. Available with HID sources up to 320W pulse start metal halide or 250W high pressure sodium.

Optical

GLOBE: Clear injection molded lighting grade acrylic lens ensures long lasting optical clarity and resistance to the gradual discoloration that results from exposure to sunlight or UV radiating sources. **REFLECTOR AND CHIMNEY:** Generation Series CVL cutoff luminaires equipped with multifaceted, precision formed Type III Cutoff or Type V Cutoff optical systems. Chimney housing electrical components supplied standard with a brushed aluminum finish or with an optional matte black or copper anodized finish.

Mounting

Base casting slipfits over a standard 3" O.D. tenon and secured via four stainless steel allen head fasteners. 3G vibration tested.

Finish

Cast and spun components finished in a five-stage premium TGIC polyester powder coat paint, 2.5 mil nominal thickness for superior protection against fade and wear. Consult your Streetworks representative for a complete selection of standard colors include black, bronze, grey, white, dark platinum, graphite metallic and hartford green. RAL and custom color matches available.

Efficiency Standards Notice

Select luminaires are manufactured to USA and California efficiency regulations. Ordering information for these territories is provided. The installer is responsible for installation to comply with these regulations.



ARC-C CUTOFF GENERATION SERIES AVENUE

70 - 320W

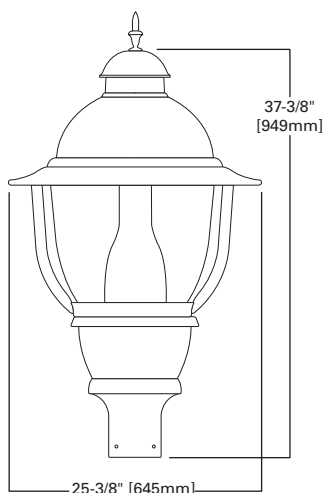
Pulse Start Metal Halide

50 - 250W

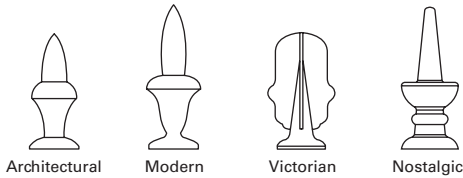
High Pressure Sodium

DECORATIVE POST TOP
LUMINAIRE

DIMENSIONS



FINIALS



ORDERING INFORMATION

Sample Number: ARC25PWW5C652BK

Product Family	Lamp Wattage	Lamp Type ³	Ballast Type ³	Voltage ^{3,8}	Refractor Type	Cage Type ¹⁰	Top Type	Finial Type	Color
ARC=Architectural Base	Pulse Start Metal Halide ^{1,2} 70=70W 10=100W 15=150W 25=250W 32=320W High Pressure Sodium 50=50W 70=70W 10=100W 15=150W 25=250W	P =Pulse Start Metal Halide S =High Pressure Sodium	H =Reac./HPF K =10kV CWA ⁴ N =Hi.Reac./NPF P =Hi.Reac./HPF ⁵ R =Reac./NPF ⁶ W =CWA ⁷	2=120V 0=208V 4=240V 7=277V 8=480V ⁹ 9=347V W =Multi-Tap wired 120V N =Multi-Tap wired 277V	3C =Type III Cutoff 5C =Type V Cutoff	6 =Avenue X =None	5 =Avenue (Top Access)	1=Victorian 2=Modern 3=Architectural 4=Nostalgic X=None	AP =Grey BZ =Bronze BK =Black DP =Dark Platinum GN =Hartford Green GM =Graphite Metallic WH =White
Options (Add as Suffix)					Accessories (Order Separately)				
1=Single Fuse (120, 277 or 347V. Specify Voltage) 2=Double Fuse (208, 240 or 480V. Specify Voltage) 4=NEMA Photocontrol Receptacle C=Copper Accents ¹¹ R=Downlight Reflector HS=House Side Shield Y=Black Chimney L=Lamp Included U=UL/CSA Listed					MA1220 =House Side Shield - Cutoff				

NOTES:

1. Medium-base pulse start metal halide is standard in 150W and below.
2. DOE/EISA regulations replace the state of California's requirements and CEC designation will no longer be required for California installations on products manufactured beginning February 10, 2017.
3. Consult an Cooper Lighting Solutions representative for lamp/ballast type/voltage compatibility.
4. Available 50-150W, 120/240V or single voltage only.
5. Pulse start metal halide EISA compliant high reactance ballasts are available in 70, 100 and 150 watts.
6. Available in 120V only.
7. Pulse start metal halide EISA compliant constant wattage autotransformer (CWA) ballasts are available in 150, 250 and 320 watts.
8. EISA or CEC compliant ballasts are not required in 347V and not available with triple-tap ballasts that consists of 120V/277V/347V and wired 347V.
9. Pulse start metal halide 150W 480V requires high reactance to meet EISA requirements.
10. Cage type painted to match housing.
11. Chimney and access top finished in copper.