

## DESCRIPTION

The Acorn tastefully compliments roadways, parks and residential roadways.

<b>Catalog #</b>		<b>Type</b>
<b>Project</b>		
<b>Comments</b>		<b>Date</b>
<b>Prepared by</b>		

## SPECIFICATION FEATURES

### Construction

Cast aluminum housing. Standard with two position terminal block. Standard color is black. Other finish colors available. Consult your Streetworks Representative. 1" ANSI wattage/source label.

### Electrical

**SOCKET:** Mogul-base socket for 50W through 150W High Pressure Sodium and 175W and 250W Pulse Start Metal Halide; 50W through 150W Pulse Start Metal Halide is medium-base socket. All sockets are 4KV pulse rated. **BALLAST:** Easily accessible, tilt-back power module. Standard plug-in starter when applicable.

**PHOTOCONTROL:** Optional NEMA twistlock photocontrol receptacle also available.

### Optical

**GLOBE:** 8" textured polycarbonate globe is standard. Optional globes include a 9" polycarbonate, 8" and 9" milk white, and 8" and 9" acrylic (Optional internal Type III refractor available).

### Mounting

Post-top mount fits 3" tenons. Secures with three (3) square headed 1-1/4" polymer coated mounting bolts.

### Finish

Standard polyester powder coat finish in black. Standard color is black. Optional bronze, white, grey, hartford green, dark platinum and graphite metallic finishes are available.

### Efficiency Standards Notice

Select luminaires are manufactured to USA and California efficiency regulations.



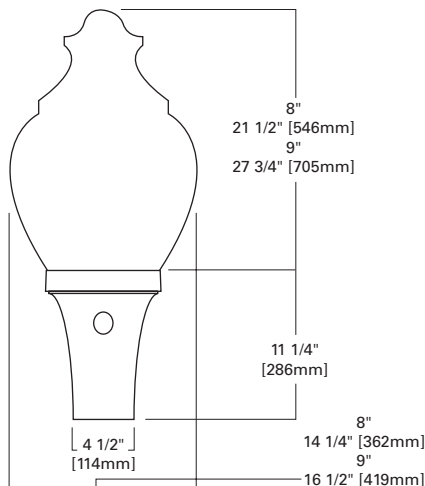
## ANE ACORN

50 - 250W

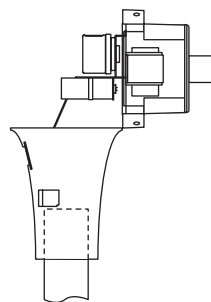
Pulse Start Metal Halide  
High Pressure Sodium

DECORATIVE LUMINAIRE

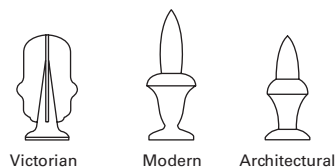
## DIMENSIONS



## TILT-BACK POWER MODULE



## FINIAL OPTIONS (PAINTED TO MATCH HOUSING)



### EPA

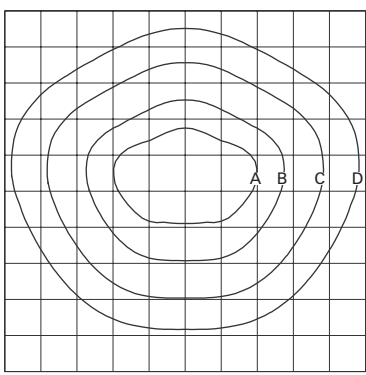
Effective Projected Area:  
1.7 Square Feet

### SHIPPING DATA

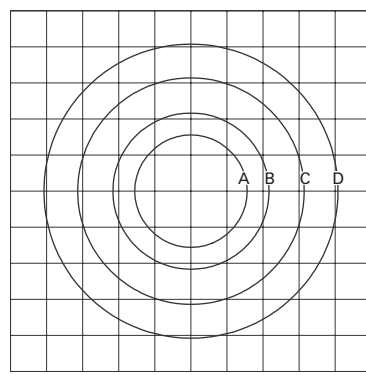
Approximate Net Weight:  
30 lbs. (14 kgs.)



PHOTOMETRICS (COMPLETE IES FILES AVAILABLE AT WWW.COOPERLIGHTING.COM)



**ANE15S33.IES**  
150-Watt HPS  
16,000-Lumen Lamp  
Type III



**ANE15S55.IES**  
150-Watt HPS  
16,000-Lumen Lamp  
Type V

**FOOTCANDLE TABLE**

4 Select mounting height and read across for footcandle values of each isofootcandle line.  
3 Distance in units of mounting height.

Mounting Height	Footcandle Values for Isofootcandle Lines			
	A	B	C	D
<b>ANE15S33.IES</b>				
12'	1.36	0.68	0.34	0.13
<b>14'</b>	<b>1.00</b>	<b>0.50</b>	<b>0.25</b>	<b>0.10</b>
16'	0.76	0.38	0.19	0.07
<b>ANE15S55.IES</b>				
12'	1.36	0.68	0.34	0.13
<b>14'</b>	<b>1.00</b>	<b>0.50</b>	<b>0.25</b>	<b>0.10</b>
16'	0.76	0.38	0.19	0.07

**ORDERING INFORMATION**

Sample Number: ACE50SR2554

Product Family	Lamp Wattage	Lamp Type <sup>3</sup>	Ballast Type <sup>3</sup>	Voltage <sup>3</sup>	Distribution
ANE=Acorn	<b>Pulse Start Metal Halide <sup>1</sup></b> 70=70W 10=100W 17=175W 25=250W  <b>High Pressure Sodium</b> 50=50W <sup>2</sup> 70=70W 10=100W 15=150W 20=200W 25=250W <sup>2</sup>	<b>P=</b> Pulse Start Metal Halide <b>S=</b> High Pressure Sodium	<b>H=</b> Reac./HPF <b>K=</b> 10KV CWA <b>N=</b> Hi. Reac./NPF <b>P=</b> Hi. Reac./HPF <sup>4</sup> <b>R=</b> Reac./NPF <b>W=</b> CWA <sup>5</sup>	2=120V 0=208V 4=240V 7=277V 8=480V F=120/240 wired 120V W=Multi-Tap, wired 120V G=120/240 wired 240V V=Multi-Tap wired 240V N=Multi-Tap wired 277V	33=Type III 55=Type V
<b>Options</b>			<b>Accessories</b>		
1=Single Fuse (120, 277 or 347V) 2=Double Fuse (208, 240, or 480V) 4=NEMA Photocontrol Receptacle 5=Internal Button Photocontrol <sup>6</sup> WH=White BZ=Bronze AP=Grey H=Hartford Green DP=Dark Platinum A=Acrylic Globe B=Acrylic Globe 9" 9=9" Globe M=Milk White Globe S=Screw Secure Power Module N=NEMA Ballast Bracket <sup>7</sup> F=Finial U=U.L./CSA Listed			AA1000=House Side Shield (9" Globe) AA1001=House Side Shield (8" Globe)		

- NOTES:**
1. Medium-base pulse start metal halide is standard in 100W and below.
  2. Available in 120V only.
  3. Consult a Cooper Lighting Solutions representative for lamp/ballast type/voltage compatibility.
  4. Pulse start metal halide EISA compliant high reactance ballasts are available in 70 and 100 watts.
  5. Pulse start metal halide EISA compliant constant wattage autotransformer (CWA) ballasts are available in 175 watts.
  6. Specify single voltage.
  7. Available in Reactor HPF and NPF. For Hi Reactance or CWA availability consult your Streetworks Representative.