

DESCRIPTION

The ACN-C/ARC-C/CLB-C Cutoff Generation Series is the marriage of traditional shapes and contemporary styling. The CVL optical systems achieve an IES cutoff classification while providing excellent performance and uniformity. Its styling blends well in many settings - downtown streetscapes, roadways, residential neighbor hoods and city parks.

Catalog #		Type	
Project			
Comments		Date	
Prepared by			

SPECIFICATION FEATURES

Construction

HOUSING: Heavy-duty cast aluminum housing and removable door 3G vibration tested to ensure strength of construction and longevity in application. A single quarter turn fastener on the removable door provides tool-less access to the electrical compartment, terminal block and the optional internally mounted photocontrol receptacle for ease of installation and maintenance. **CAGE ASSEMBLIES:** Cage assembly uprights and medallions are manufactured of heavy-duty cast aluminum and mounted to the exterior of the base housing via four stainless steel fasteners. Cage rings constructed of extruded aluminum and finished to match housing. **TOPS AND FINIALS:** Choose from three spun aluminum tops and four cast aluminum finials for customized fixture style. All hard mount tops are made of heavy-duty spun aluminum. Select spun tops offer top access for tool-less entrance into the lamp compartment during relamping or maintenance.

Electrical

HID ballast assembly mounted to a tool-less removable tray with quick disconnects for ease of installation and maintenance. Wide tool-less access door provides ample hand and tool room for terminal block and plug-in starter access. Available with HID sources up to 320W pulse start metal halide or 250W high pressure sodium.

Optical

GLOBE: Clear injection molded lighting grade acrylic lens ensures long lasting optical clarity and resistance to the gradual discoloration that results from exposure to sunlight or UV radiating sources. **REFLECTOR AND CHIMNEY:** Generation Series CVL cutoff luminaires equipped with multifaceted, precision formed Type III Cutoff or Type V Cutoff optical systems. Chimney housing electrical components supplied standard with a brushed aluminum finish or with an optional matte black or copper anodized finish.

Mounting

Base casting slipfits over a standard 3" O.D. tenon and secured via four stainless steel allen head fasteners. 3G vibration tested.

Finish

Cast and spun components finished in a five-stage premium TGIC polyester powder coat paint, 2.5 mil nominal thickness for superior protection against fade and wear. Consult your Streetworks representative for a complete selection of standard colors include black, bronze, grey, white, dark platinum, graphite metallic and hartford green. RAL and custom color matches available.

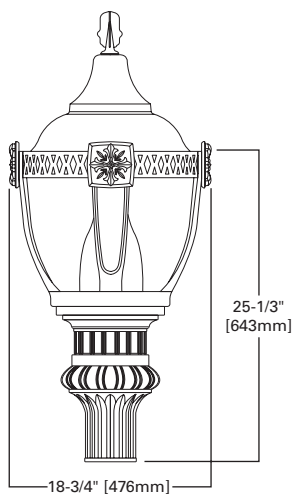
Efficiency Standards Notice

Select luminaires are manufactured to USA and California efficiency regulations. Ordering information for these territories is provided. The installer is responsible for installation to comply with these regulations.

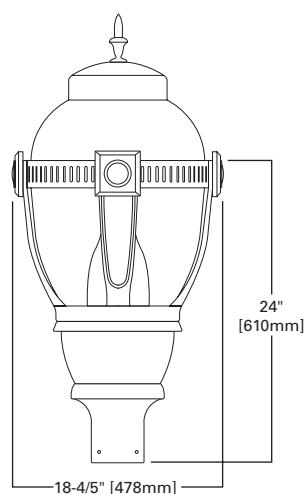


DIMENSIONS

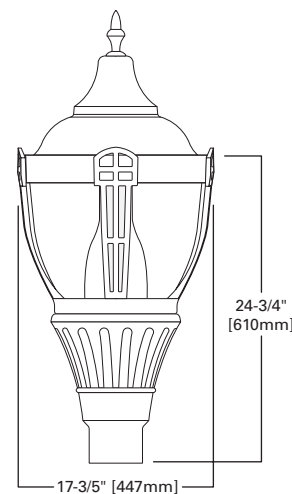
ACN-C (Acorn Base)



ARC-C (Architectural Base)



CLB-C (Classical Base)



ACN-C/ARC-C/ CLB-C CUTOFF GENERATION SERIES

70 - 320W
Pulse Start Metal Halide
50 - 250W
High Pressure Sodium

**DECORATIVE POST TOP
LUMINAIRE**

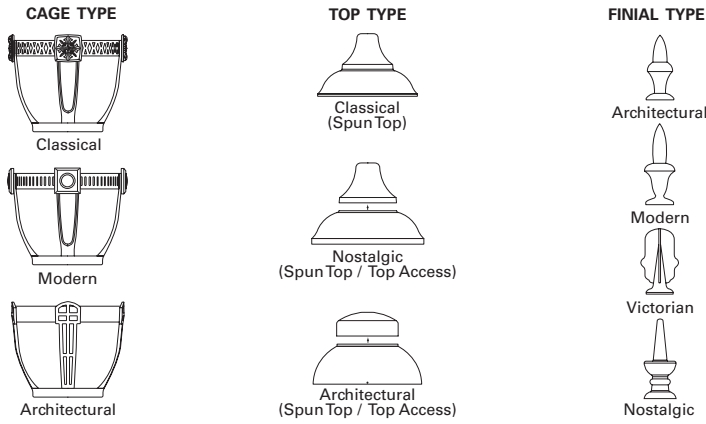
EPA
Effective Projected Area:
2.1

SHIPPING DATA
Approximate Net Wt:
50 lbs. (23 kgs.)



TD516029EN
2016-12-12 09:14:07

CONFIGURATIONS



ORDERING INFORMATION

Sample Number: ACN25PWW5C143BK

Product Family ¹	Lamp Wattage	Lamp Type ⁴	Ballast Type ⁴	Voltage ^{4,7}	Refractor Type	Cage Type	Top Type	Finial Type
ACN =Acorn Base ARC =Architectural Base CLB =Classical Base	Pulse Start Metal Halide ^{2,3} 70=70W 10=100W 15=150W 25=250W 32=320W High Pressure Sodium 50=50W 70=70W 10=100W 15=150W 25=250W	P =Pulse Start Metal Halide S =High Pressure Sodium	H =Reac./HPF K =10kV CWA ⁵ N =Hi.Reac./NPF P =Hi.Reac./HPF R =Reac./NPF ⁶ W =CWA	2=120V 0=208V 4=240V 7=277V 8=480V ⁸ 9=347V W =Multi-Tap wired 120V N =Multi-Tap wired 277V	3C =Type III Cutoff 5C =Type V Cutoff	Classical 1=Classical A =Classical Sun Gold B =Classical Antique Gold C =Classical Colonial Bronze Modern 2=Modern D =Modern Sun Gold E =Modern Antique Gold F =Modern Colonial Bronze Architectural 3=Architectural G =Architectural Sun Gold H =Architectural Antique Gold J =Architectural Colonial Bronze X =None	4=Classical 6=Nostalgic (Top Access) 7=Architectural (Top Access)	1=Victorian 2=Modern 3=Architectural 4=Nostalgic X=None
Color	Options (Add as Suffix)				Accessories (Order Separately)			
AP =Grey BZ =Bronze BK =Black DP =Dark Platinum GN =Hartford Green GM =Graphite Metallic WH =White	1=Single Fuse (120, 277 or 347V. Specify Voltage) 2=Double Fuse (208, 240 or 480V. Specify Voltage) 4=NEMA Photocontrol Receptacle A =Twistlock Globe R =Downlight Reflector L =Lamp Included C =Copper Accents ⁹ U =UL/CSA Listed Y =Black Chimney HS =House Side Shield				MA1220 =House Side Shield - Cutoff			

NOTES:

- Customer is responsible for engineering analysis to confirm pole and fixture compatibility for all applications. Refer to our white paper WP513001EN for additional support information.
- Medium-base pulse start metal halide is standard in 150W and below.
- DOE/EISA regulations replace the state of California's requirements and CEC designation will no longer be required for California installations on products manufactured beginning February 10, 2017.
- Consult an Cooper Lighting Solutions representative for lamp/ballast type/voltage compatibility.
- Available 50-150W, 120/240V or single voltage only.
- Available in 120V only.
- EISA or CEC compliant ballasts are not required in 347V and not available with triple-tap ballasts that consists of 120V/277V/347V and wired 347V.
- Pulse start metal halide 150W 480V requires high reactance to meet EISA requirements.
- Chimney and access top finished in copper.