

Project		Catalog #		Type	
Prepared by		Notes		Date	



Streetworks

ACN/ARC/CLB Generation Series

Decorative Luminaire

Product Features



Interactive Menu

- Ordering Information [page 2](#)
- Product Specifications [page 2](#)
- Energy and Performance Data [page 3](#)

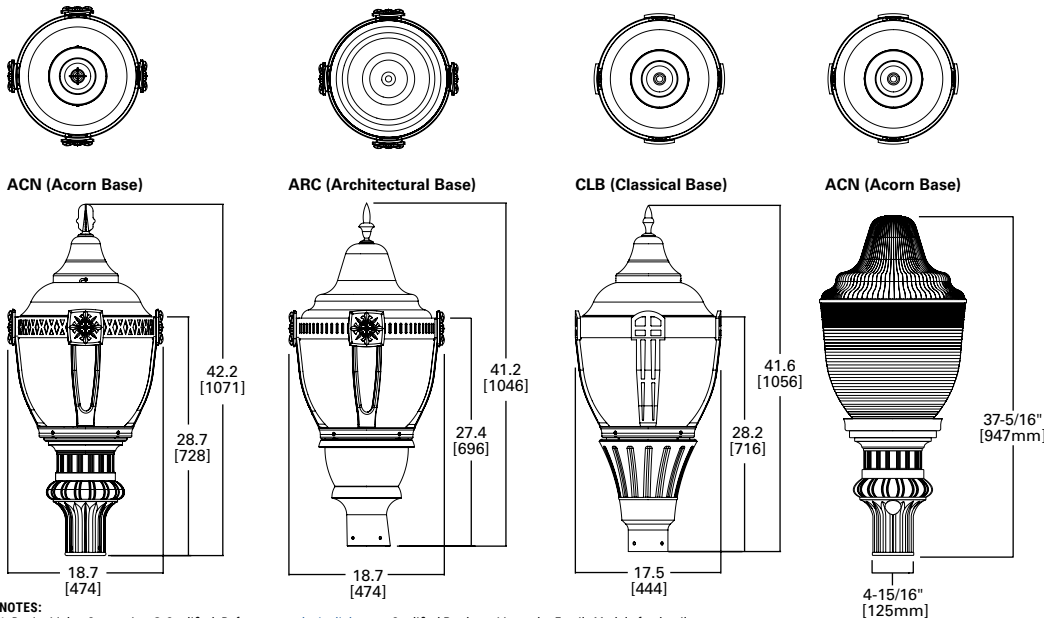
Product Certifications



Quick Facts

- LED CCTs include 2200, 2700, 3000, 4000, 5000, and 5700K 70 CRI
- 4000K lumen packages ranging from 5,000 lumens to 21,000 lumens
- Available in Type III and Type V distributions
- Tool-less removable power tray for ease of maintenance
- Standard 0-10V dimming
- Field Adjustable Dimming Control available

Dimensional Details



NOTES:
1. DesignLights Consortium® Qualified. Refer to www.designlights.org Qualified Products List under Family Models for details.

Fixture Weights and EPAs

EPA (sq. ft.)	Weight (lbs)
2.1	50 (23 kgs.)

Ordering Information

SAMPLE NUMBER: **ACN-CA6-130-740-U-55-X-1-X-BK-PR7**

Product Family ¹	LED Series	Nominal Power	Color Temperature	Voltage	Refractor Type	Cage Type	Top Type	Finial Type	Color
ACN =Acorn Base BAA-ACN =Acorn Base Buy American Act Compliant ² TAA-ACN =Acorn Base Trade Agreements Act Compliant ² ARC =Architectural Base BAA-ARC =Architectural Base Buy American Act Compliant ² TAA-ARC =Architectural Base Trade Agreements Act Compliant ² CLB =Classical Base BAA-CLB =Classical Base Buy American Act Compliant ² TAA-CLB =Classical Base Trade Agreements Act Compliant ²	CA6 =COB Light Engine	50 =50W 60 =60W 70 =70W 80 =80W 90 =90W 100 =100W 110 =110W 120 =120W 130 =130W	722 =70CRI, 2200K 727 =70CRI, 2700K 730 =70CRI, 3000K 740 =70CRI, 4000K 750 =70CRI, 5000K 760 =70CRI, 5700K	U =Universal (120-277V) H =High Voltage (347-480V)	33 =Type III 55 =Type V	Classical 1 =Classical ³ A =Classical Sun Gold B =Classical Antique Gold C =Classical Colonial Bronze Modern 2 =Modern ³ D =Modern Sun Gold E =Modern Antique Gold F =Modern Colonial Bronze Architectural 3 =Architectural ³ G =Architectural Sun Gold H =Architectural Antique Gold J =Architectural Colonial Bronze X =None	1 =Acorn 2 =Modern 3 =Victorian 4 =Classical 6 =Nostalgic (Top Access) 7 =Architectural (Top Access)	1 =Victorian 2 =Modern 3 =Architectural 4 =Nostalgic X =None	AP =Grey BK =Black BZ =Bronze DP =Dark Platinum GM =Graphite Metallic GN =Hartford Green WH =White RALXXXX =RAL Number
Options (Add as Suffix)				Controls		Accessories (Order Separately) ¹⁰			
10MSP =Parallel 10kV MOV Surge Protective Device 20MSP =Parallel 20kV MOV Surge Protective Device 20K =Series 20kV UL 1449 Surge Protective Device 20KI =Series 20kV UL 1449 Surge Protective Device with light indicator B =Decorative Brass Banding ⁴ C =Copper Accents P =Polycarbonate Refractor W =External wire leads 20ft GHSS =Generation Housing Streetside only ⁵ CC =Coastal Construction				DALI =DALI Driver(s) ⁶ FADC =Field Adjustable Dimming Controller PR =NEMA 3-PIN Twistlock Photocontrol Receptacle PR7 =NEMA 7-PIN Twistlock Photocontrol Receptacle ^{7,8} AN8 =M2M Antennae (915MHz) ⁹		OA1222 =10kV Surge Module			
NOTES: 1. Customer is responsible for engineering analysis to confirm pole and fixture compatibility for all applications. 2. Only product configurations with these designated prefixes are built to be compliant with the Buy American Act of 1933 (BAA) or Trade Agreements Act of 1979 (TAA), respectively. Please refer to Domestic Preferences website for more information. Components shipped separately may be separately analyzed under domestic preference requirements. 3. Cage type painted to match base. 4. Available with Acorn and Victorian tops only. 5. Type III only. Only available in 80W to 130W nominal output. Approximately 50% of nominal power and energy usage. Consult spec sheet performance tables and IES files on ACN/ARC/CLB product page for actual lumen and wattage value. 6. Available for Nominal Power 50W - 100W only. 7. Height of dimming node/photocell cannot exceed 2.8" at outer edge. 8. Depending on characteristics of dimming node, may need to extend antenna out of housing. Consult your lighting representative at Cooper Lighting Solutions for more information. 9. For use with control systems where M2M is required. 10. Accessories sold separately will be separately analyzed under domestic preference requirements. Consult factory for further information.									

Product Specifications

Construction

- Heavy-duty cast aluminum housing and removable door
- A single quarter turn fastener on the removable door provides tool-less access to wiring compartment
- Cage assembly uprights and medallions are manufactured of heavy-duty cast aluminum and mounted to the exterior of the base housing via four stainless steel fasteners
- Cage rings constructed of extruded aluminum and finished to match housing
- Choose from multiple spun aluminum or acrylic tops and cast aluminum finials for customized fixture style
- All solid tops are made of heavy-duty spun aluminum

Optics

- High efficiency refractive optical systems are precisely designed utilizing a combination of refractive and reflective prisms
- Available in Type III or Type V distributions
- Lighting grade acrylic ensures long lasting optical clarity and resistance to discoloration

Electrical

- 120-277V 50/60Hz operation
- 10kV/10kA common and differential mode surge protection standard
- 0-10V dimming standard
- Thermal management transfers heat rapidly away from the LED source for optimal efficiency and light output; Ambient operating temperature from -40°C to 40°C
- Standard three-position tunnel type compression terminal block

Mounting

- Base casting slipfits over a standard 3" O.D. tenon and secured via four stainless steel allen head fasteners

Finish

- Cast and spun components finished in a five-stage premium TGIC polyester powder coat paint, 2.5 mil nominal thickness for superior protection against fade and wear
- A complete selection of standard colors includes grey, black, bronze, dark platinum, graphic metallic, hartford green, white, and specified RAL numbers
- Consult your Streetworks representative for available custom color matches

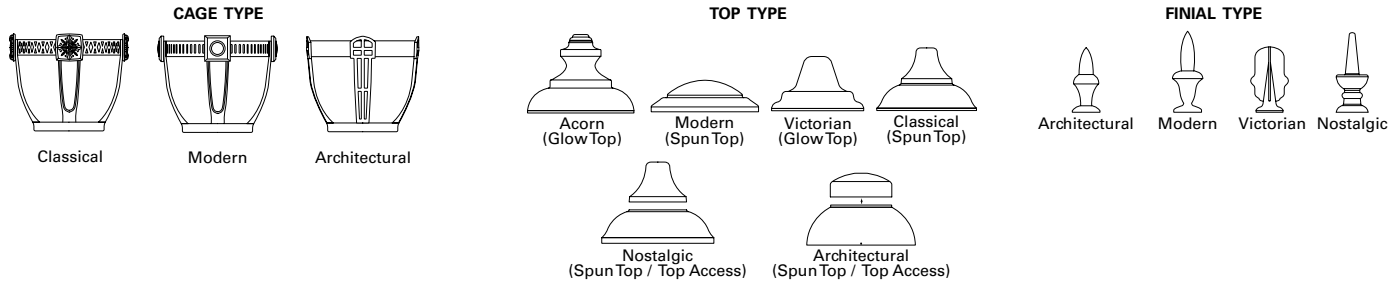
Typical Applications

- Outdoor, Parking Lots, Walkways, Roadways, Building Areas

Warranty

- Five-year warranty

Configurations



Energy Performance Data

LED Color Multipliers

CRI	CCT					
	2200	2700	3000	3500	4000	5000
	Lumen Multiplier*					
70	0.74	0.84	0.91	0.93	1.00	1.00
80	--	0.75	--	--	--	--


NOTES: * Estimates, refer to IES files for accuracy.

Lumen Maintenance

Ambient Temperature	25,000 hours*	50,000 hours*	L70* (Hours)
25°C	95.4%	91.4%	>54000
40°C	95.6%	89.9%	>54000

NOTES: * Calculation provided in accordance with IES TM-21-11 using the configuration resulting in highest LED temperature.

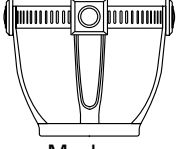
Classical Cage

 Classical		70 CRI, 4000K										
		Nominal Power (Watts)	50	60	70	80	90	100	110	120	130	
Actual Wattage		54	64	74	84	94	104	112	119	124		
Current @ 120V		0.42	0.50	0.58	0.67	0.75	0.83	0.92	1.00	1.08		
Current @ 277V		0.18	0.22	0.25	0.29	0.32	0.36	0.40	0.43	0.47		
Current @ 347V		0.14	0.17	0.20	0.23	0.26	0.29	0.32	0.35	0.37		
Current @ 480V		0.10	0.13	0.15	0.17	0.19	0.21	0.23	0.25	0.27		
Acorn (Glow Top)	T3	Lumens	7,479	8,774	10,033	11,311	12,499	13,650	14,526	15,741	16,365	
	T3	Efficacy (lm/w)	139	137	136	135	133	131	130	132	132	
Acorn (Glow Top)	T5	Lumens	7,436	8,724	9,975	11,246	12,427	13,572	14,442	15,650	16,271	
	T5	Efficacy (lm/w)	138	136	135	134	132	130	129	132	131	
Victorian (Glow Top)	T3	Lumens	7,067	8,291	9,480	10,688	11,810	12,898	13,726	14,874	15,463	
	T3	Efficacy (lm/w)	131	130	128	127	126	124	123	125	125	
Victorian (Glow Top)	T5	Lumens	6,973	8,180	9,354	10,546	11,653	12,726	13,543	14,676	15,258	
	T5	Efficacy (lm/w)	129	128	126	126	124	122	121	123	123	
Modern / Classical / Nostalgic / Architectural (Spun Top)	T3	Lumens	5,417	6,355	7,267	8,192	9,053	9,887	10,521	11,401	11,853	
	T3	Efficacy (lm/w)	100	99	98	98	96	95	94	96	96	
Modern / Classical / Nostalgic / Architectural (Spun Top)	T5	Lumens	5,364	6,293	7,196	8,112	8,964	9,790	10,418	11,290	11,737	
	T5	Efficacy (lm/w)	99	98	97	97	95	94	93	95	95	
Street Side Only	Actual Wattage		--	--	--	42	47	52	56	60	63	
	Acorn (Glow Top)	T3-GHSS*	Lumens	--	--	--	5,644	6,237	6,811	7,248	7,854	8,166
		T3-GHSS*	Efficacy (lm/w)	--	--	--	133	132	131	128	131	131
	Victorian (Glow Top)	T3-GHSS*	Lumens	--	--	--	5,361	5,924	6,469	6,885	7,460	7,757
		T3-GHSS*	Efficacy (lm/w)	--	--	--	127	126	124	122	125	124
	Modern / Classical / Nostalgic / Architectural (Spun Top)	T3-GHSS*	Lumens	--	--	--	4,165	4,603	5,026	5,349	5,796	6,026
T3-GHSS*		Efficacy (lm/w)	--	--	--	98	98	96	95	97	96	

NOTES: * Available only on type 3 distribution. Only available from 80W to 130W.

Energy Performance Data

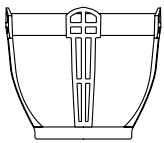
Modern Cage

		70 CRI, 4000K											
		Nominal Power (Watts)	50	60	70	80	90	100	110	120	130		
 <p>Modern</p>		Actual Wattage	54	64	74	84	94	104	112	119	124		
		Current @ 120V	0.42	0.50	0.58	0.67	0.75	0.83	0.92	1.00	1.08		
		Current @ 277V	0.18	0.22	0.25	0.29	0.32	0.36	0.40	0.43	0.47		
		Current @ 347V	0.14	0.17	0.20	0.23	0.26	0.29	0.32	0.35	0.37		
		Current @ 480V	0.10	0.13	0.15	0.17	0.19	0.21	0.23	0.25	0.27		
		Acorn (Glow Top)		T3	Lumens	7,523	8,826	10,092	11,378	12,573	13,731	14,612	15,834
Efficacy (lm/w)	139				138	136	135	134	132	130	133	133	
T5	Lumens			7,480	8,775	10,034	11,312	12,501	13,652	14,528	15,743	16,367	
	Efficacy (lm/w)			139	137	136	135	133	131	130	132	132	
Victorian (Glow Top)		T3	Lumens	7,087	8,314	9,507	10,718	11,843	12,934	13,764	14,915	15,506	
			Efficacy (lm/w)	131	130	128	128	126	124	123	125	125	
		T5	Lumens	6,992	8,203	9,380	10,575	11,686	12,762	13,581	14,717	15,300	
			Efficacy (lm/w)	129	128	127	126	124	123	121	124	123	
Modern / Classical / Nostalgic / Architectural (Spun Top)		T3	Lumens	5,417	6,355	7,267	8,192	9,053	9,887	10,521	11,401	11,853	
			Efficacy (lm/w)	100	99	98	98	96	95	94	96	96	
		T5	Lumens	5,364	6,293	7,196	8,112	8,964	9,790	10,418	11,290	11,737	
			Efficacy (lm/w)	99	98	97	97	95	94	93	95	95	
Street Side Only		Actual Wattage		--	--	--	42	47	52	56	60	63	
		Acorn (Glow Top)	T3-GHSS*	Lumens	--	--	--	5,677	6,274	6,851	7,291	7,900	8,214
				Efficacy (lm/w)	--	--	--	134	133	131	129	132	131
		Victorian (Glow Top)	T3-GHSS*	Lumens	--	--	--	5,376	5,941	6,487	6,904	7,481	7,778
				Efficacy (lm/w)	--	--	--	127	126	124	122	125	124
		Modern / Classical / Nostalgic / Architectural (Spun Top)	T3-GHSS*	Lumens	--	--	--	4,165	4,603	5,026	5,349	5,796	6,026
				Efficacy (lm/w)	--	--	--	98	98	96	95	97	96

NOTES: *Available only on type 3 distribution. Only available from 80W to 130W.

Energy Performance Data

Architectural Cage

		70 CRI, 4000K											
		Nominal Power (Watts)	50	60	70	80	90	100	110	120	130		
 <p>Architectural</p>		Actual Wattage	54	64	74	84	94	104	112	119	124		
		Current @ 120V	0.42	0.50	0.58	0.67	0.75	0.83	0.92	1.00	1.08		
		Current @ 277V	0.18	0.22	0.25	0.29	0.32	0.36	0.40	0.43	0.47		
		Current @ 347V	0.14	0.17	0.20	0.23	0.26	0.29	0.32	0.35	0.37		
		Current @ 480V	0.10	0.13	0.15	0.17	0.19	0.21	0.23	0.25	0.27		
		Acorn (Glow Top)		T3	Lumens	7,227	8,478	9,695	10,930	12,078	13,190	14,037	15,211
Efficacy (lm/w)	134				132	131	130	128	127	125	128	128	
T5	Lumens			7,199	8,446	9,657	10,888	12,031	13,139	13,982	15,152	15,752	
	Efficacy (lm/w)			133	132	131	130	128	126	125	127	127	
Victorian (Glow Top)		T3	Lumens	6,827	8,009	9,158	10,325	11,409	12,460	13,260	14,369	14,938	
			Efficacy (lm/w)	126	125	124	123	121	120	118	121	120	
		T5	Lumens	6,745	7,913	9,048	10,201	11,272	12,310	13,100	14,196	14,759	
			Efficacy (lm/w)	125	124	122	121	120	118	117	119	119	
Modern / Classical / Nostalgic / Architectural (Spun Top)		T3	Lumens	5,272	6,185	7,072	7,973	8,811	9,622	10,239	11,096	11,536	
			Efficacy (lm/w)	98	97	96	95	94	93	91	93	93	
		T5	Lumens	5,080	5,960	6,815	7,683	8,490	9,272	9,867	10,692	11,116	
			Efficacy (lm/w)	94	93	92	91	90	89	88	90	90	
		Actual Wattage		--	--	--	42	47	52	56	60	63	
Street Side Only	Acorn (Glow Top)		T3-GHSS*	Lumens	--	--	--	5,504	6,082	6,642	7,068	7,659	7,963
				Efficacy (lm/w)	--	--	--	130	129	127	125	128	127
	Victorian (Glow Top)		T3-GHSS*	Lumens	--	--	--	5,156	5,698	6,222	6,621	7,175	7,460
				Efficacy (lm/w)	--	--	--	122	121	119	117	120	119
	Modern / Classical / Nostalgic / Architectural (Spun Top)		T3-GHSS*	Lumens	--	--	--	3,932	4,345	4,745	5,049	5,472	5,689
				Efficacy (lm/w)	--	--	--	93	92	91	89	92	91

NOTES: *Available only on type 3 distribution. Only available from 80W to 130W.

Energy Performance Data

No Cage

		70 CRI, 4000K										
		Nominal Power (Watts)	50	60	70	80	90	100	110	120	130	
		Actual Wattage	54	64	74	84	94	104	112	119	124	
		Current @ 120V	0.42	0.50	0.58	0.67	0.75	0.83	0.92	1.00	1.08	
		Current @ 277V	0.18	0.22	0.25	0.29	0.32	0.36	0.40	0.43	0.47	
		Current @ 347V	0.14	0.17	0.20	0.23	0.26	0.29	0.32	0.35	0.37	
		Current @ 480V	0.10	0.13	0.15	0.17	0.19	0.21	0.23	0.25	0.27	
Acorn (Glow Top)	T3	Lumens	9,777	11,470	13,116	14,786	16,339	17,844	18,989	20,578	21,393	
		Efficacy (lm/w)	181	179	177	176	174	172	170	173	173	
	T5	Lumens	9,831	11,533	13,188	14,868	16,430	17,943	19,094	20,691	21,511	
		Efficacy (lm/w)	182	180	178	177	175	173	170	174	173	
Victorian (Glow Top)	T3	Lumens	9,514	11,161	12,763	14,389	15,900	17,364	18,478	20,024	20,818	
		Efficacy (lm/w)	176	174	172	171	169	167	165	168	168	
	T5	Lumens	9,489	11,132	12,729	14,351	15,858	17,318	18,430	19,971	20,763	
		Efficacy (lm/w)	176	174	172	171	169	167	165	168	167	
Modern / Classical / Nostalgic / Architectural (Spun Top)	T3	Lumens	7,713	9,049	10,347	11,665	12,890	14,077	14,980	16,233	16,877	
		Efficacy (lm/w)	143	141	140	139	137	135	134	136	136	
	T5	Lumens	7,503	8,802	10,065	11,347	12,539	13,694	14,573	15,792	16,417	
		Efficacy (lm/w)	139	138	136	135	133	132	130	133	132	
Street Side Only	Actual Wattage		--	--	--	42	47	52	56	60	63	
	Acorn (Glow Top)	T3-GHSS*	Lumens	--	--	--	7,414	8,193	8,947	9,521	10,317	10,727
			Efficacy (lm/w)	--	--	--	175	174	172	169	173	171
	Victorian (Glow Top)	T3-GHSS*	Lumens	--	--	--	7,204	7,961	8,694	9,251	10,025	10,423
			Efficacy (lm/w)	--	--	--	170	169	167	164	168	167
	Modern / Classical / Nostalgic / Architectural (Spun Top)	T3-GHSS*	Lumens	--	--	--	5,701	6,300	6,880	7,321	7,933	8,248
			Efficacy (lm/w)	--	--	--	135	134	132	130	133	132

NOTES: *Available only on type 3 distribution. Only available from 80W to 130W.

FADC Settings

Nominal Power 50W

FADC Position	Percent of Typical Lumen Output
1	25%
2	48%
3	56%
4	65%
5	75%
6	80%
7	85%
8	90%
9	95%
10	100%

FADC Settings

Nominal Power 60W-130W

FADC Position	Percent of Typical Lumen Output
1	14%
2	25%
3	32%
4	43%
5	49%
6	57%
7	65%
8	72%
9	80%
10	100%

FADC Settings

Nominal Power 80W-130W GHSS option

FADC Position	Percent of Typical Lumen Output
1	25%
2	48%
3	56%
4	65%
5	75%
6	80%
7	85%
8	90%
9	95%
10	100%