

Stonco

by  Signify

Landscape

Commercial bollard

BL25



The path ahead looks clear and bright

The Stonco Commercial bollard makes a strong statement in high traffic outdoor areas, while adding a sense of security.

We know that soft, sturdy illumination is vital for your pathways and open spaces, but you need something affordable and low maintenance. The Commercial bollard delivers a warm pool of low-glare light exactly where you need it, while tolerating whatever mother nature can hurl at it. The rugged housing has a bronze, architectural finish that blends into almost any landscape design.

Simple, modern landscape lighting that brings the night to life.



BL25 LED Commercial bollard



Rugged outdoor enhancement

- Clean lines for a timeless, modern look
- Rugged, aluminum construction and high quality finish
- Simple installation
- Ready-to-ship, in-stock product
- Silicone gaskets protect internals from harsh elements
- 50,000 hour rated life (L70)

Ordering guide

Example: BL25-NW-G1-5-8-BZ

Luminaire BL25	LED Color NW	Generation W -
BL25 LED Commercial Bollard	NW Neutral White 4000K, 70CRI	G1 Generation 1
Distribution 5	Voltage 8	Finish BZ
5 Type 5 Symmetrical	8 120-277VAC	BZ Bronze

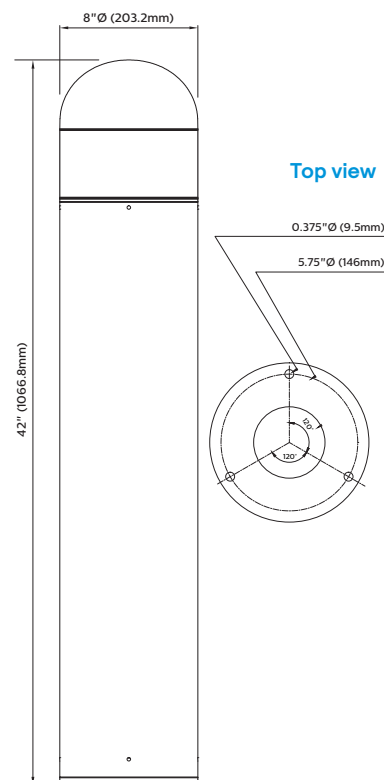
LED wattage and lumen values

Neutral White Order Codes	Total LEDs	LED Current (mA)	Color Temp (K)	Average System Wattage ¹	Lumen Output ^{1,2}	Efficacy (LPW)
BL25-NW-G1-5-8-BZ	84	650	4000K (3985K +/-275)	25.9	2508	97

1. Wattage and lumen output may vary by +/- 8% due to LED manufacturer forward volt specification and ambient temperature. Wattage shown is average for 120V through 277V input. Actual wattage may vary by an additional +/- 10% due to actual input voltage.
2. Lumen values based on photometric tests performed in compliance with IESNA LM-79.

NOTE: Contact outdoorlighting.applications@philips.com for additional photometric tests or information.

Side view



The information presented in this document is not intended as any commercial offer and does not form part of any quotation or contract.

