



MS805_LED MAIN STREET SERIES

LED

EPA
2.46
(ft²)

WEIGHT
55LBS

7 YEAR
WARRANTY

LUMEN
RANGE
2,170 to
12,975

LIFE SPAN
L70
MINIMUM
100,000
HOURS

UL
LISTED

CLICK
FOR FAQ's

JOB NAME _____

FIXTURE TYPE _____

MEMO _____

BUILD A PART NUMBER

ORDERING EXAMPLE: **2A-MS805ALED-3-24L40T5-MDL008-CTA-PEC-FHD/480PM/3412FP4/SCC/BKT**

Mounting Config.	Fixture	Fitter	LED	CCT	Distribution Type	Driver	Lens	Option Control Receptacle	Option Control	Option Fuse	Option Hangstraight	Option House Side Shield	Option Chimney	Option Internal Lens	Arm <small>See Arm Spec Sheets</small>	Pole <small>See Pole Spec Sheets</small>	Finish

Mounting Configuration

(Click here to view mounting configuration sheet)

- 1W
- 2A90
- 4A
- SH44¹
- PT
- 2APT
- 4APT
- CH44¹
- 1A
- 3A
- 1AM
- CAT
- 1APT
- 3A90
- 2AM
-
- 2A
- 3APT
- 450PB

W = Wall Mount PT = Post Top APT = Post Top Arm Mid-Mount
A = Arm Mount AM = Arm Mid-Mount PB = Pier Base
SH = Stem Hung CH = Chain Hung CAT = Catenary

¹Include overall drop in inches after designation for Stem/Chain application (IE: CH44-48")

Fixture

- MS805ALED
- MS805BLED
- MS805ALEDH
- MS805BLEDH

(H) - Hanging style fixture.

Fitter²

- 3
- BD4
- BD5
- 6
- 7

²Do not specify fitter for hanging version (MS805_LEDH)

LED

- 32L
- 24L
- 16L
- 12L

CCT - Color Temperature (K)

- 27(00)
- 30(00)
- 35(00)
- 40(00)
- 50(00)

Distribution Type

- T2
- T3
- T4
- T5

Driver

- MDL018³ (120V-277V, 180mA)
- MDH018³ (347V-480V, 180mA)
- MDL016⁴ (120V-277V, 160mA)
- MDH016⁴ (347V-480V, 160mA)
- MDL014⁵ (120V-277V, 140mA)
- MDH014⁵ (347V-480V, 140mA)
- MDL008⁶ (120V-277V, 80mA)
- MDH008⁶ (347V-480V, 80mA)

³24L systems only.

⁴32L and 16L systems only.

⁵24L and 12L systems only.

⁶12L systems only.

Lens (Click here to link to lens specification page)

- CSA (Clear Seeded Acrylic)

- CTA (Clear Textured Acrylic)
- PA (Prismatic Acrylic)
- SV1 (Flat Soft Vue Light Diffused Acrylic)
- SV2 (Flat Soft Vue Moderate Diffused Acrylic)
- SV4 (Flat Soft Vue Maximum Diffused Acrylic)

Options (Click here to link to view accessories sheet)

- R7⁷ 7-Pin control receptacle only
- PE⁸ Twist-Lock Photocontrol (120V-277V)
- PE4⁸ Twist-Lock Photocontrol (347V-480V)
- SC⁸ Shorting Cap
- PEC Electronic Button Photocontrol (120V-277V)
- PEC4 Electronic Button Photocontrol (480V)
- FHD⁹ Double Fuse and Holder
- HSHS¹⁰ Standard Horizontal Hangstraight, Spike Finial
- HSHN¹⁰ Standard Horizontal Hangstraight, No Finial
- HSHB¹⁰ Standard Horizontal Hangstraight, Ball Finial
- EZ¹⁰ Vertical Hangstraight, Large, "EZ" Mount
- HSS 120° House Side Shield
- BLOC Back Light Optical Control
- FHC Frosted Hurricane Chimney
- SVIF Light diffused internal flat lens
- SV2F Moderate diffused internal flat lens

⁷Mounted on "HSH_" hangstraight or on roof in lieu of finial.

⁸Requires control receptacle.

⁹Ships loose for installation in base.

¹⁰For use with MS805_LEDH unit only.

Arm (Click here to view arm website page)

See Arms & Wall Brackets specification sheets.

- 478
- 6236
- TA
- BA
- 80
- 579
- TASC
- TASC

Pole (Click here to view pole website page)

See Pole specification sheets.

Finish (Click here to view paint finish sheet)

Standard Finishes¹¹

- BKT Black Textured
- WHT White Textured
- PGT Park Green Textured
- ABZT Architectural Medium Bronze Textured
- DBT Dark Bronze Textured

¹¹Smooth finishes are available upon request.

Custom Finishes¹²

- CM Custom Match
- OI Old Iron
- RT Rust
- WBR Weathered Brown
- CD Cedar
- WBK Weathered Black
- TT Two Tone

¹²Custom colors require upcharge.

Sternberg Select Finishes

- VG Verde Green
- SI Swedish Iron
- OWGT Old World Gray Textured

Specifications

Fixture

The MS805_LED luminaire is a modern replica of a popular styled octagonal fixture available with (A) or without (B) spikes. The cast aluminum hinged roof is appointed with a spiked finial. The luminaire has LED light sources with roof mounted, down lighting optics. The Luminaire shall be UL listed in US and Canada.

Fitter - Standard

The fitter shall be heavy wall cast aluminum. It shall have an inside diameter opening to attach to 3", 4", 5", 6" or 7" pole or tenon. When ordered with a Sternberg pole, the fitter shall be attached by set-screw to the pole top or tenon.

LED's

The luminaire shall use high output, high brightness LED's. They shall be mounted in arrays, on printed circuit boards designed to maximize heat transfer to the heat sink surface. The arrays shall be roof mounted to minimize up-light. The LED's and printed circuit boards shall be 100% recyclable; they shall also be protected from moisture and corrosion by a conformal coating. They shall not contain lead, mercury or any other hazardous substances and shall be RoHS compliant. The LED life rating data shall be determined in accordance with IESNA LM-80. The High

See next page



SternbergLighting

ESTABLISHED 1923

800-621-3376
555 Lawrence Ave., Roselle, IL 60172
contactus@sternberglighting.com
www.sternberglighting.com

7/21 STERNBERG LIGHTING. ALL RIGHTS RESERVED. PRINTED IN THE USA.

MS805_LED MAIN STREET SERIES

LED

Performance white LED's will have a life expectancy of approximately 100,000 hours with not less than 70% of original brightness (lumen maintenance), rated at 25°C. The High Brightness, High Output LED's shall be 5000K (4500K, 3000K, 3500K or 2700K option) color temperature with a minimum CRI of 70. Consult factory for custom color CCT. The luminaire shall have a minimum _____ (see table) delivered initial lumen rating when operated at steady state with an average ambient temperature of 25°C (77°F).

Optics

The luminaire shall be provided with individual, refractor type optics applied to each LED. The luminaire shall provide Type_____ (2, 3, 4, or 5) light distribution per the IESNA classifications. Testing shall be done in accordance with IESNA LM-79.

Electronic Drivers

The LED driver shall be U.L. Recognized. It shall

be securely mounted inside the fixture, for optimized performance and longevity. It shall be supplied with a quick-disconnect electrical connector on the power supply, providing easy power connections and fixture installation. It shall have overload, overheat and short circuit protection, and have a DC voltage output, constant current design, 50/60HZ. It shall be supplied with line-ground, line-neutral and neutral-ground electrical surge protection in accordance with IEEE/ANSI C62.41.2 guidelines. It shall be a high efficiency driver with a THD less than 20% and a high power factor greater than .9. It shall be dimming capable using a 0-10v signal, consult factory for more information.

Photocontrols

Button Style: The photocontrol shall be mounted on the fixture and pre-wired to driver. The electronic button type photocontrol is instant on with a 5-10 second turn off, and shall turn on at 1.5 footcandles with a turn-off at 2-3

footcandles. Photocontrol is 120-277 volt and warranted for 6 years. See pole spec sheet for pole mounted version.

Twist-Lock Style: The photocontrol shall be mounted externally on the fixture and pre-wired to driver. The twist lock type photocontrol is instant on with a 3-6 second turn off, and shall turn on at 1.5 footcandles with a turn-off at 2-3 footcandles. Photocontrol is 120-277 volt and warranted for 6 years.

Warranty

Seven-year limited warranty. See product and finish warranty guide for details.

Finish

Refer to website for details.

Performance

MODEL #	T2 LUMENS	BUG	EFFICACY (LPW)	T3 LUMENS	BUG	EFFICACY (LPW)	T4 LUMENS	BUG	EFFICACY (LPW)	T5 LUMENS	BUG	EFFICACY (LPW)	WATTS
32L40T_-MDL016	12045	B3U3G3	89.9	12500	B3U3G3	93.3	12685	B3U3G3	94.7	13465	B3U3G2	100.5	134
32L30T_-MDL016	11485	B3U3G3	85.7	11920	B3U3G3	89.0	12095	B3U3G3	90.3	12840	B3U3G2	95.8	134
32L27T_-MDL016	10385	B2U3G2	77.5	10775	B3U3G3	80.4	10935	B2U3G2	81.6	11610	B3U3G2	86.6	134
24L40T_-MDL018	10110	B2U3G2	87.2	10470	B3U3G3	90.3	10720	B2U3G2	92.4	11475	B3U3G2	98.9	116
24L30T_-MDL018	9640	B2U3G2	83.1	9985	B3U3G3	86.1	10220	B2U3G2	88.1	10940	B3U3G2	94.3	116
24L27T_-MDL018	8715	B2U3G2	75.1	9025	B2U3G2	77.8	9240	B2U3G2	79.7	9890	B3U3G1	85.3	116
24L40T_-MDL014	8175	B2U3G2	94.0	8440	B2U3G2	97.0	8655	B2U3G2	99.5	9250	B3U3G1	106.3	87
24L30T_-MDL014	7795	B2U3G2	89.6	8045	B2U3G2	92.5	8250	B2U3G2	94.8	8820	B3U3G1	101.4	87
24L27T_-MDL014	7045	B2U3G2	81.0	7275	B2U2G2	83.6	7460	B2U3G2	85.7	7975	B3U2G1	91.7	87
16L40T_-MDL016	6000	B2U3G2	88.2	6310	B2U2G2	92.8	6530	B2U2G2	96.0	6955	B3U2G1	102.3	68
16L30T_-MDL016	5720	B2U3G2	84.1	6015	B2U2G2	88.5	6225	B2U2G2	91.5	6630	B3U2G1	97.5	68
16L27T_-MDL016	5170	B2U3G2	76.0	5440	B2U2G2	80.0	5630	B2U2G2	82.8	5995	B3U0G1	88.2	68
12L40T_-MDL014	4085	B1U3G1	88.8	4265	B1U2G1	92.7	4335	B1U2G1	94.2	4720	B2U2G1	102.6	46
12L30T_-MDL014	3895	B1U3G1	84.7	4065	B1U2G1	88.4	4135	B1U2G1	89.9	4500	B2U2G1	97.8	46
12L27T_-MDL014	3520	B1U2G1	76.5	3675	B1U2G1	79.9	3735	B1U2G1	81.2	4070	B2U2G1	88.5	46
12L40T_-MDL008	2470	B1U2G1	91.5	2620	B1U2G1	97.0	2615	B1U1G1	96.9	2885	B2U2G1	106.9	27
12L30T_-MDL008	2355	B1U2G1	87.2	2500	B1U2G1	92.6	2495	B1U1G1	92.4	2750	B2U2G1	101.9	27
12L27T_-MDL008	2130	B1U2G1	78.9	2260	B1U2G1	83.7	2255	B1U1G1	83.5	2485	B2U2G1	92.0	27

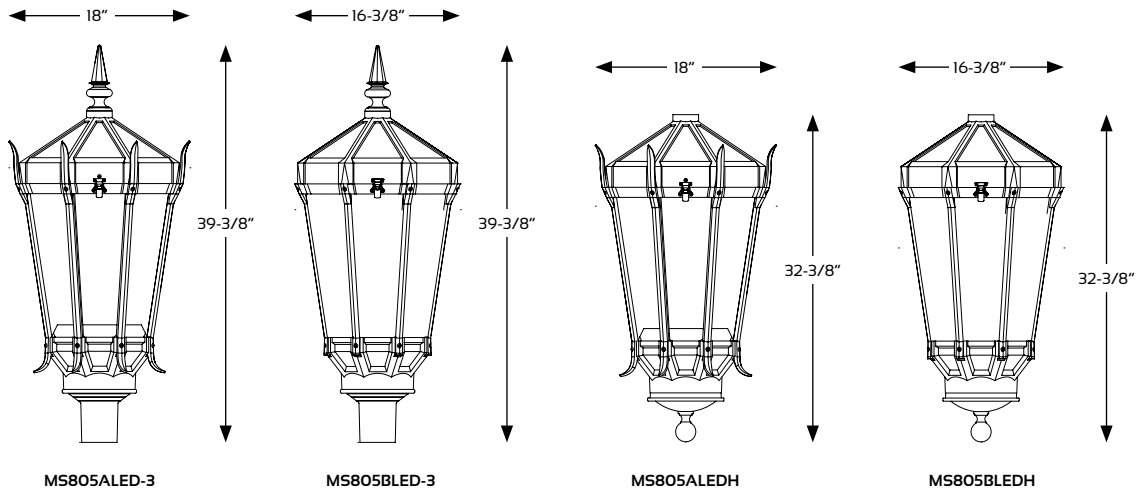


SternbergLighting

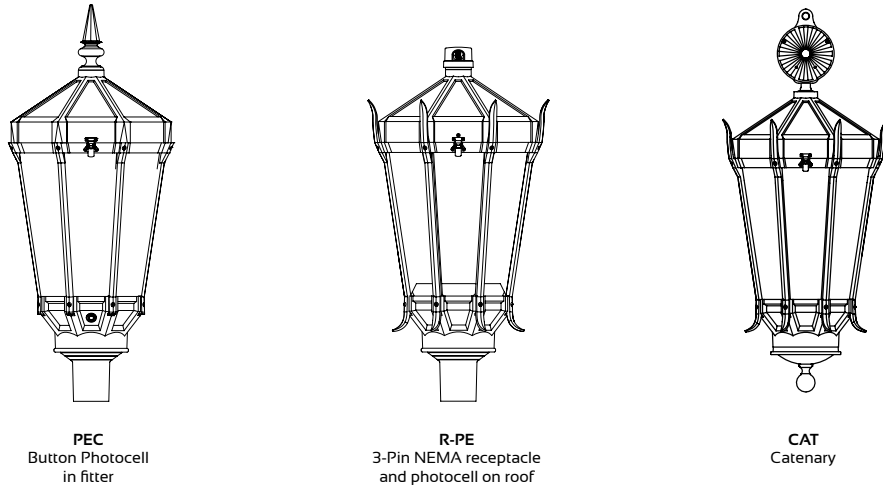
ESTABLISHED 1923

800-621-3376
555 Lawrence Ave., Roselle, IL 60172
contactus@sternberglighting.com
www.sternberglighting.com

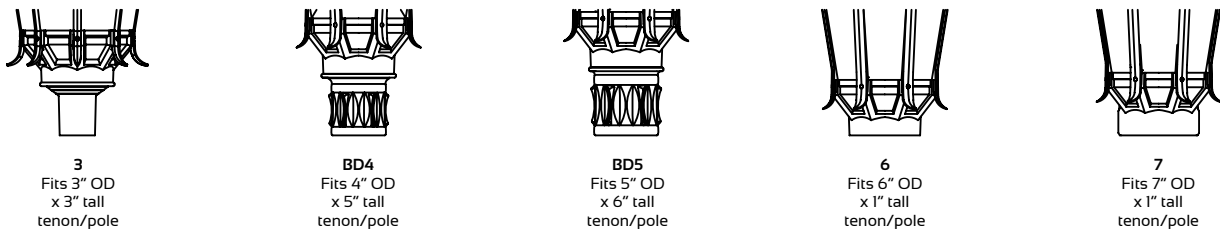
Fixture Examples



Options



Fitters



SternbergLighting

ESTABLISHED 1923

800-621-3376
555 Lawrence Ave., Roselle, IL 60172
contactus@sternberglighting.com
www.sternberglighting.com