



D650SRLED BOULEVARD SERIES

LED

EPA
1.04 (ft²)
WEIGHT
34 LBS

7 YEAR
WARRANTY

LUMEN
RANGE
2,650 to
14,555

LIFE
SPAN
L70
MINIMUM
100,000
HOURS

UL
LISTED

RATED
IP65

CLICK
FOR FAQ'S

JOB NAME _____

FIXTURE TYPE _____

MEMO _____

BUILD A PART NUMBER

ORDERING EXAMPLE: **2A-D650SRLED-5P-32L40T5-MDLO16-A-PEC-FHD/480PM/4212FP4/FCC/BKT**

Mounting Config.	Fixture	Fitter	LED	CCT	Type	Driver	Lens	Option Control Receptacle	Option Control	Option Fuse	Option Deco. Ring	Option GFI	Option Term. Block	Option House Side Shield	Arm See Arm Spec Sheets	Pole See Pole Spec Sheets	Finish

Mounting Configuration

(Click here to link to mounting configuration specification page)

- IW • 2A • 3A90 • 1AM
- PT • 2A90 • 3APT • 2AM
- 1A • 2APT • 4A • 450PB
- 1APT • 3A • 4APT

W = Wall Mount PT = Post Top A = Arm Mount AM = Arm Mid-Mount PB = Pier Base

Fixture

- D650SRLED

Fitter

- 5P¹ • 990¹ • 993¹ • BD4 • OL3 • C2097²
- 73 • 991¹ • 994¹ • BD5 • OL4
- 74 • 992¹ • 995¹ • BD7 • 588

¹ Add "T" after fitter designation for optional "Twist-lock" fitter.
² Consult factory for use on concrete poles.

LED

- 32L • 24L • 16L • 12L

CCT - Color Temperature (K)

- 27(00) • 30(00) • 35(00)
- 40(00) • 50(00)

Type

- T2 • T3 • T4 • T5

Driver

- MDLO18³ (120V-277V, 180mA)
- MDHO18³ (347V-480V, 180mA)
- MDLO16⁴ (120V-277V, 160mA)
- MDHO16⁴ (347V-480V, 160mA)
- MDLO14⁵ (120V-277V, 140mA)
- MDHO14⁵ (347V-480V, 140mA)
- MDLO08⁶ (120V-277V, 80mA)
- MDHO08⁶ (347V-480V, 80mA)

³ 24L system only.
⁴ 32L system only.
⁵ 24L, 16L or 12L system only.
⁶ 12L system only.

Lens

- A (Acrylic) • P (Polycarbonate)

Options (Click here to view accessories sheet)

- R7⁷ 7-Pin control receptacle only

- PE⁸ Twist-Lock Photocontrol (120V-277V)
- PE4⁸ Twist-Lock Photocontrol (347V-480V)
- SC⁸ Shorting Cap
- PEC Electronic Button Photocontrol (120V-277V)
- PEC4 Electronic Button Photocontrol (480V)
- FHD⁹ Double Fuse and Holder
- CDR Cast Decorative Ring
- CDRCL¹⁰ Cast Decorative Ring with Custom Logo
- PBDR¹¹ Perforated Brass Decorative Ring
- GFI⁷ 15A Duplex GFI for Utility Fitter
- TB⁷ Terminal Block
- HSS House Side Shield
- BLOC Back Light Optical Control

⁷ For 990 series fitter only.
⁸ Requires control receptacle.
⁹ Ships loose for installation in base.
¹⁰ Consult factory for specification details.
¹¹ Standard is polished, for painted ring specify PBDR-P.

Arm (Click here to link to arm specification page)

See Arms & Wall Brackets specification sheets.

- 50 • 70 • 480 • 6236 • TA • BA
- 478 • 80 • 55 • 579 • TASC

Pole (Click here to link to pole specification page)

See Pole specification sheets.

Finish (Click here to view paint finish sheet)

Standard Finishes¹²

- BKT Black Textured
- WHT White Textured
- PGT Park Green Textured
- ABZT Architectural Medium Bronze Textured
- DBT Dark Bronze Textured

¹² Smooth finishes are available upon request.

Custom Finishes¹³

- CM Custom Match
- OI Old Iron
- RT Rust
- WBR Weathered Brown
- CD Cedar
- WBK Weathered Black
- TT Two Tone

¹³ Custom colors require upcharge.

Sternberg Select Finishes

- VG Verde Green
- SI Swedish Iron
- OWGT Old World Gray Textured

Specifications

Fixture

The luminaire shall be supplied with a cast aluminum finial and a solid cast aluminum roof which includes optimized heat sinks to provide maximum life and performance for the LED light sources. The acorn shall be sealed to the cast aluminum roof to provide a moisture free and bug-free optic chamber for the LED light source, with an IP65 rating. The Luminaire shall be UL listed in US and Canada.

Fitter - Standard

The fitter shall be heavy wall cast aluminum, 356 alloy for high tensile strength. It shall have an 8-1/2" inside diameter opening to attach to the 8" neck of the acorn globe. When ordered with a Sternberg aluminum pole, the fitter shall be welded to the pole top or tenon for safety and to ensure the fixture will be plumb, secure and level over the life of the installation. The fitter shall have a one-piece ring bug gasket to resist insect penetration into lamp assembly.

900 Series Utility Fitter Option

The fitter shall be heavy wall cast aluminum, 360 die cast alloy for high tensile strength. It shall have a 9-1/4" inside diameter opening to attach to the 8" neck of the acorn globe. It shall have a hinged, tool-less entry door that provides open access to all of the components. The 900 series shall have an optional terminal block for ease of wiring, an optional Twist-Lock Photocontrol receptacle, an optional single GFCI outlet for auxiliary power needs. The top mounted driver mounting plate shall be cast aluminum and provide tool-less removal from the housing using 2 finger latches. The fitter shall have a one-piece ring gasket to resist insect penetration into globe assembly. When supplied with GFCI receptacle a hole will be provided for cord and plug installation with the access door closed. When cord and plug is not in use a filler plug will be provided and shall be tethered to the fitter for easy recovery and installation.

See next page

D650SRLED BOULEVARD SERIES

LED

Twist-Lock Fitter (Optional)

The TL (Twist-Lock) fitter shall have an aluminum die-cast twist-lock mechanism. The tool-less 1/4 turn action allows for easy globe removal and replacement. A die-cast ring assembly is mechanically attached to the globe and is removable if the globe is broken or replaced.

LEDs

The luminaire shall use high output, high brightness LED's. They shall be mounted in arrays, on printed circuit boards designed to maximize heat transfer to the heat sink surface. The arrays shall be roof mounted to minimize up-light. The LED's and printed circuit boards shall be environmentally friendly and 100% recyclable, they shall also be protected from moisture and corrosion by a conformal coating of 1 to 3 mils. They shall not contain lead, mercury or any other hazardous substances and shall be RoHS compliant. The LED life rating data shall be determined in accordance with IESNA LM-80. The High Performance white LED's will have a life expectancy of approximately 100,000 hours with not less than 70% of original brightness (lumen maintenance), rated at 25°C. The High Brightness, High Output LED's shall be 5000K (4500K, 3000K, 3500K or 2700K option) color temperature with a minimum of 70 CRI. Consult factory for custom color CCT. The luminaire shall have a minimum _____ (see table) delivered

initial lumen rating when operated at steady state with an average ambient temperature of 25°C (77°F).

Optics

The luminaire shall be provided with individual, refractor type optics applied to each LED. The luminaire shall provide Type ____ (2, 3, 4 or 5) light distribution per the IESNA classifications. Testing shall be done in accordance with IESNA LM-79.

BLOC Optic: An optional "Back Light Optical Control" shield can be provided at the factory. This is an internal optic level "House Side Shield" offering significantly reduced back-light and glare while maintaining the original design aesthetics of the luminaire.

Electronic Drivers

The LED driver shall be U.L. Recognized. It shall be securely mounted inside the fixture, for optimized performance and longevity. It shall be supplied with a quick-disconnect electrical connector on the power supply, providing easy power connections and fixture installation. It shall have overload, overheat and short circuit protection, and have a DC voltage output, constant current design, 50/60HZ. It shall be supplied with line-ground, line-neutral and neutral-ground electrical surge protection in accordance with IEEE/ANSI C62.41.2 guidelines. It shall be a high efficiency driver with a THD less than

20% and a high power factor greater than .9. It shall be dimming capable using a 0-10v signal, consult factory for more information.

Lens

Materials include DR Acrylic or Polycarbonate. An injection molding process adds textured surface for glare mitigation, even wall thickness and impact resistance.

Photocontrols

Button Style: The photocontrol shall be mounted on the fixture and pre-wired to driver. The electronic button type photocontrol is instant on with a 5-10 second turn off, and shall turn on at 1.5 footcandles with a turn-off at 2-3 footcandles. Photocontrol is 120-277 volt and warranted for 6 years. See pole spec sheet for pole mounted version.

Twist-Lock Style: The photocontrol shall be mounted in the utility fitter and pre-wired to driver. The twist lock type photocontrol is instant on with a 3-6 second turn off, and shall turn on at 1.5 footcandles with a turn-off at 2-3 footcandles. Photocontrol is 120-277 volt and warranted for 6 years.

Warranty

Seven-year limited warranty. See product and finish warranty guide for details.

Finish

Refer to website for details.

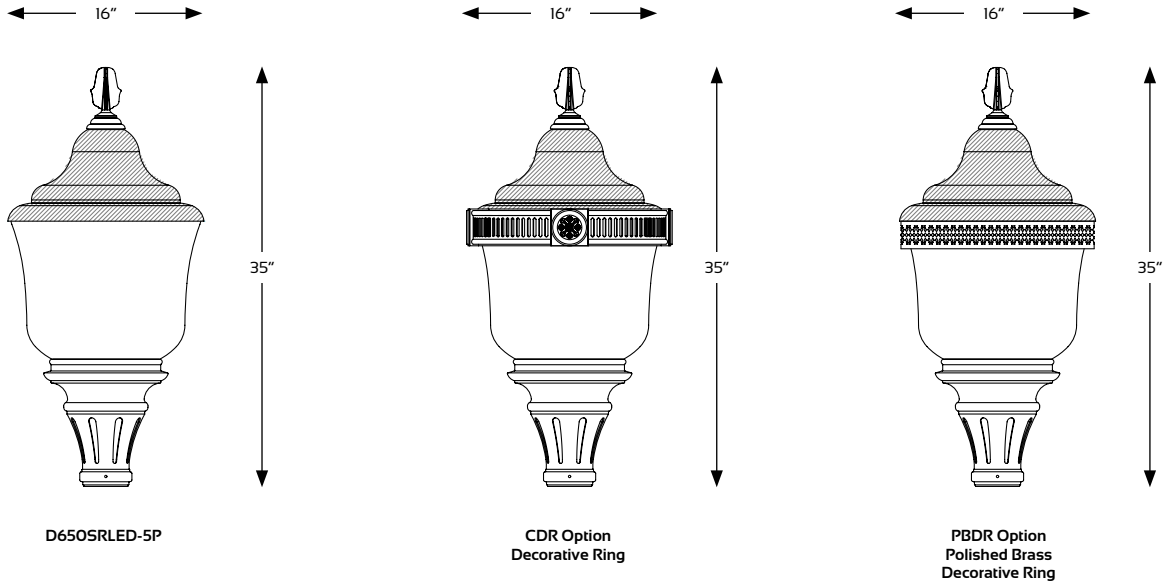
Performance

MODEL #	T2 DELIVERED LUMENS	EFFICACY (LPW)	T3 DELIVERED LUMENS	EFFICACY (LPW)	T4 DELIVERED LUMENS	EFFICACY (LPW)	T5 DELIVERED LUMENS	EFFICACY (LPW)	WATTAGE
32L40T_-MDL016	14405	107.5	14515	108.3	14495	108.2	14555	108.6	134
32L30T_-MDL016	13735	102.5	13840	103.3	13820	103.1	13875	103.5	134
32L27T_-MDL016	12420	92.7	12515	93.4	12495	93.2	12545	93.6	134
24L40T_-MDL018	11905	102.6	12045	103.8	12040	103.8	12570	108.4	116
24L30T_-MDL018	11350	97.8	11485	99.0	11480	99.0	11985	103.3	116
24L27T_-MDL018	10265	88.5	10385	89.5	10380	89.5	10835	93.4	116
24L40T_-MDL014	9650	109.7	9805	111.4	9760	110.9	10205	116.0	88
24L30T_-MDL014	9200	104.5	9350	106.3	9305	105.7	9730	110.6	88
24L27T_-MDL014	8320	94.5	8455	96.1	8415	95.6	8795	99.9	88
16L40T_-MDL014	6595	111.8	6640	112.5	6560	111.2	6835	115.8	59
16L30T_-MDL014	6290	106.6	6330	107.3	6255	106.0	6515	110.4	59
16L27T_-MDL014	5685	96.4	5725	97.0	5655	95.8	5890	99.8	59
12L40T_-MDL014	5050	109.8	5060	110.0	5015	109.0	5165	112.3	46
12L30T_-MDL014	4815	104.7	4825	104.9	4780	103.9	4925	107.1	46
12L27T_-MDL014	4355	94.7	4360	94.8	4325	94.0	4455	96.8	46
12L40T_-MDL008	3095	114.6	3090	114.4	3075	113.9	3155	116.9	27
12L30T_-MDL008	2950	109.3	2945	109.1	2930	108.5	3010	111.5	27
12L27T_-MDL008	2670	98.9	2665	98.7	2650	98.1	2720	100.7	27

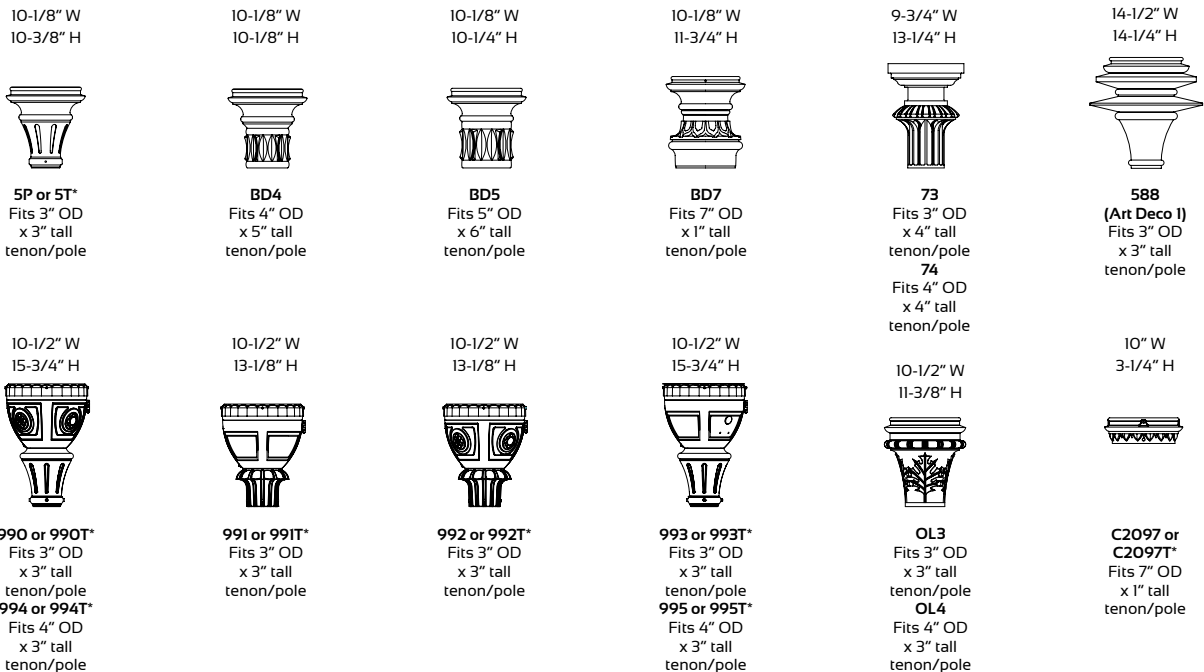
D650SRLED BOULEVARD SERIES

LED

Fixtures



Fitters



*Twist Lock Acorn (Fitter TL)



SternbergLighting

ESTABLISHED 1923

800-621-3376
555 Lawrence Ave., Roselle, IL 60172
contactus@sternberglighting.com
www.sternberglighting.com

7/21 STERNBERG LIGHTING. ALL RIGHTS RESERVED. PRINTED IN THE USA.