

A880SRLED TOWN SQUARE SERIES

LED

EPA
1.42 (ft²)
WEIGHT
44 LBS

7 YEAR
WARRANTY

LUMEN
RANGE
2,585 to
14,940

LUMEN
MAINTENANCE
L70
MINIMUM
100,000
HOURS

UL
LISTED

CLICK
FOR FAQs

RATED
IP65

JOB NAME

FIXTURE TYPE

MEMO

BUILD A PART NUMBER

ORDERING EXAMPLE: **2A-A880SRLED-5P-24L40T5-MDH03-A-PEC-FHD/480PM/4212FP4/FCC/BKT**

Mounting Config.	Fixture	Fitter	LED	CCT	Type	Driver	Lens	Option Control Receptacle	Option Control	Option Fuse	Option GFI	Option Term. Block	Option House Side Shield	Arm See Arm Spec Sheets	Pole See Pole Spec Sheets	Finish

Mounting Configuration

(Click here to link to mounting configuration specification page)

- 1W • 2A • 3A90 • 1AM
- PT • 2A90 • 3APT • 2AM
- 1A • 2APT • 4A • 450PB
- 1APT • 3A • 4APT

W = Wall Mount PT = Post Top A = Arm Mount AM = Arm Mid-Mount PB = Pier Base

Fixture

- A880SRLED

Fitter

- 5P • 992 • 995 • BD7 • C2097
- 990 • 993 • BD4 • OL3
- 991 • 994 • BD5 • OL4

LED

- 12L • 16L • 24L • 32L

CCT - Color Temperature (K)

- 27(00) • 30(00) • 35(00)
- 40(00) • 50(00)

Type

- T2 • T3 • T4 • T5

Driver

- MDL018¹ (120V-277V, 180mA)
- MDH018¹ (347V-480V, 180mA)
- MDL014 (120V-277V, 140mA)
- MDH014 (347V-480V, 140mA)
- MDL008² (120V-277V, 80mA)
- MDH008² (347V-480V, 80mA)

¹ 24L system only.

² 12L system only.

Lens

- A (Acrylic) • P (Polycarbonate)

Options (Click here to view accessories sheet)

- R7³ 7-Pin control receptacle only
- SRR7 Roof mounted 7-Pin control receptacle only
- PE⁴ Twist-Lock Photocontrol (120V-277V)
- PE4⁴ Twist-Lock Photocontrol (347V-480V)
- SC⁴ Shorting Cap

- PEC Electronic Button Photocontrol (120V-277V)
- PEC4 Electronic Button Photocontrol (480V)
- FHD⁵ Double Fuse and Holder
- GF³ 15A Duplex GFI for Utility Fitter
- TB³ Terminal Block
- HSS 120° House Side Shield
- BLOC Back Light Optical Control

³ For 900 series utility fitter only.

⁴ Requires control receptacle.

⁵ Ships loose for installation in base.

Arm (Click here to link to arm specification page)

See Arms & Wall Brackets specification sheets.

- 50 • 70 • 480 • 6236 • TA • BA
- 478 • 80 • 55 • 579 • TASCRC

Pole (Click here to link to pole specification page)

See Pole specification sheets.

Finish (Click here to view paint finish sheet)

Standard Finishes⁶

- BKT Black Textured
- WHT White Textured
- PGT Park Green Textured
- ABZT Architectural Medium Bronze Textured
- DBT Dark Bronze Textured

⁶ Smooth finishes are available upon request.

Custom Finishes⁷

- CM Custom Match
- OI Old Iron
- RT Rust
- WBR Weathered Brown
- CD Cedar
- WBK Weathered Black
- TT Two Tone

⁷ Custom colors require upcharge.

Sternberg Select Finishes

- VG Verde Green
- SI Swedish Iron
- OWGT Old World Gray Textured

with a cast aluminum finial and a solid, cast aluminum roof which includes optimized heat sinks to provide maximum life and performance for the LED light sources. The caged acorn shall be sealed to the cast aluminum roof to provide a moisture-free and bug-free optics chamber for the LED light sources and Rated IP65. The luminaire shall have a distinctively styled, decorative cast aluminum cage. The Luminaire shall be UL listed in US and Canada.

Fitter - Standard

The fitter shall be heavy wall cast aluminum, 356 alloy for high tensile strength. It shall have an 8-1/2" inside diameter opening to attach to the 8" neck of the acorn globe. The fitter shall have a one-piece ring bug gasket to resist insect penetration into lamp assembly.

900 Series Utility Fitter Option

The fitter shall be heavy wall cast aluminum, 360 die cast alloy for high tensile strength. It shall have a 9-1/4" inside diameter opening to attach to the 8" neck of the acorn globe. It shall have a hinged, tool-less entry door that provides open access to all of the components. The 900 series shall have an optional terminal block for ease of wiring, an optional Twist-Lock Photocontrol receptacle, an optional single GFCI outlet for auxiliary power needs. The top mounted driver mounting plate shall be cast aluminum and provide tool-less removal from the housing using 2 finger latches. The fitter shall have a one-piece ring gasket to resist insect penetration into globe assembly. When supplied with GFCI receptacle a hole will be provided for cord and plug installation with the access door closed. When cord and plug is not in use a filler plug will be provided and shall be tethered to the fitter for easy recovery and installation.

LEDs

The luminaire shall use high output, high brightness LEDs. The LEDs are mounted to maximize thermal transfer to the heat sink surface. The LEDs shall be 100% recyclable; not contain lead, mercury or any other hazardous

See next page

A880SRLED TOWN SQUARE SERIES



substances and shall be RoHS compliant. Lumen maintenance shall be determined in accordance with IESNA TM-21, based on LED manufacturer LM-80 test data of no less than 6,000 hours and in-situ testing of the luminaire by an NVLAP accredited Energy Efficient Lighting Products lab. The high-performance white LEDs will have a predicted lumen depreciation of approximately 100,000 hours with greater than 70% of initial output at 25°C. The high-brightness, high-output white LEDs shall be 4000K nominal (2700K, 3000K, 3500K or 5000K optional) correlated color temperature (CCT) with a 70 (minimum) color rendering index (CRI). Consult factory for custom CCT or CRI. The luminaire shall have a minimum _____ (see table) delivered initial lumens when operated at steady state with an average ambient temperature of 25°C (77°F).

Optics

The luminaire shall be provided with individual, acrylic, refractor type optics applied to each LED. The luminaire shall provide Type _____ (2, 3, 3R, 4 or 5) light distribution per the IESNA classifications. Testing shall be done in accordance with IESNA LM-79.

Electronic Drivers

The LED driver shall be U.L. Recognized. It shall be securely mounted inside the fixture, for optimized performance and longevity. It shall be supplied with a quick-disconnect electrical connector on the power supply, providing easy power connections and fixture installation. It shall have overload, overheat and short circuit protection, and have a DC voltage output, constant current design, 50/60HZ. It shall be supplied with line-ground, line-neutral and neutral-ground electrical surge protection in accordance with IEEE/ANSI C62.41.2 guidelines. It shall be a high efficiency driver with a THD less than 20% and a high power factor greater than .9. It shall be dimming capable using a 0-10V signal, consult factory for more information.

Lens

Materials include DR Acrylic or Polycarbonate. An injection molding process adds textured surface for glare mitigation, even wall thickness and impact resistance.

Photocontrols

Button Style: On a single assembly the photocontrol shall be mounted on the fixture and pre-wired to driver. On multiple head assembly's the photocontrol shall be mounted in the pole shaft on an access plate. The electronic button type photocontrol is instant on with a 5-10 second turn off, and shall turn on at 1.5 footcandles with a turn-off at 2-3 footcandles. Photocontrol is 120-277 volt.

Twist-Lock Style: The photocontrol shall be mounted in the utility fitter (or roof) and pre-wired to driver. The twist lock type photocontrol is instant on with a 3-6 second turn off, and shall turn on at 1.5 footcandles with a turn-off at 2-3 footcandles. Photocontrol is 120-277 volt.

Warranty

Seven-year limited warranty. See product and finish warranty guide for details.

Finish

Refer to website for details.

Performance

MODEL #	T2 LUMENS	BUG	EFFICACY (LPW)	T3 LUMENS	BUG	EFFICACY (LPW)	T4 LUMENS	BUG	EFFICACY (LPW)	T5 LUMENS	BUG	EFFICACY (LPW)	WATTS
32L40T_-MDL016	14160	B3U4G3	105.7	14390	B3U4G3	107.4	14595	B3U3G3	108.9	14940	B4U3G3	111.5	134
32L30T_-MDL016	13500	B3U4G3	100.7	13720	B3U4G3	102.4	13915	B3U3G3	103.8	14245	B4U3G3	106.3	134
32L27T_-MDL016	12205	B3U4G3	91.1	12405	B3U4G3	92.6	12580	B3U3G3	93.9	12880	B3U3G3	96.1	134
24L40T_-MDL018	11845	B3U4G3	101.2	12020	B3U3G3	102.7	12270	B3U3G3	104.9	12455	B3U3G3	106.5	117
24L30T_-MDL018	11295	B3U4G3	96.5	11460	B3U3G3	97.9	11700	B3U3G3	100.0	11875	B3U3G3	101.5	117
24L27T_-MDL018	10210	B2U3G3	87.3	10360	B3U3G3	88.5	10580	B3U3G3	90.4	10735	B3U3G3	91.8	117
24L40T_-MDL014	9565	B2U3G3	108.7	9675	B3U3G3	109.9	9920	B2U3G3	112.7	10065	B3U3G2	114.4	88
24L30T_-MDL014	9120	B2U3G3	103.6	9225	B3U3G3	104.8	9460	B2U3G3	107.5	9595	B3U3G2	109.0	88
24L27T_-MDL014	8245	B2U3G3	93.7	8340	B2U3G2	94.8	8550	B2U3G2	97.2	8675	B3U3G2	98.6	88
16L40T_-MDL014	6525	B2U3G2	110.6	6540	B2U3G2	110.8	6660	B2U3G2	112.9	6730	B3U3G2	114.1	59
16L30T_-MDL014	6220	B2U3G2	105.4	6235	B2U3G2	105.7	6350	B2U3G2	107.6	6415	B3U3G2	108.7	59
16L27T_-MDL014	5625	B2U3G2	95.3	5640	B2U3G2	95.6	5740	B2U3G2	97.3	5800	B2U3G2	98.3	59
12L40T_-MDL014	4945	B2U3G2	107.5	4995	B2U3G2	108.6	5085	B1U3G2	110.5	5200	B2U3G2	113.0	46
12L30T_-MDL014	4715	B2U3G2	102.5	4760	B2U3G2	103.5	4850	B1U3G2	105.4	4960	B2U3G2	107.8	46
12L27T_-MDL014	4265	B1U3G1	92.7	4305	B1U3G1	93.6	4385	B1U3G1	95.3	4485	B2U3G2	97.5	46
12L40T_-MDL008	3000	B1U3G1	111.1	3045	B1U3G1	112.8	3085	B1U3G1	114.3	3160	B1U3G1	117.0	27
12L30T_-MDL008	2860	B1U3G1	105.9	2905	B1U3G1	107.6	2940	B1U3G1	108.9	3015	B1U3G1	111.7	27
12L27T_-MDL008	2585	B1U3G1	95.7	2625	B1U3G1	97.2	2660	B1U3G1	98.5	2725	B1U3G1	100.9	27



SternbergLighting

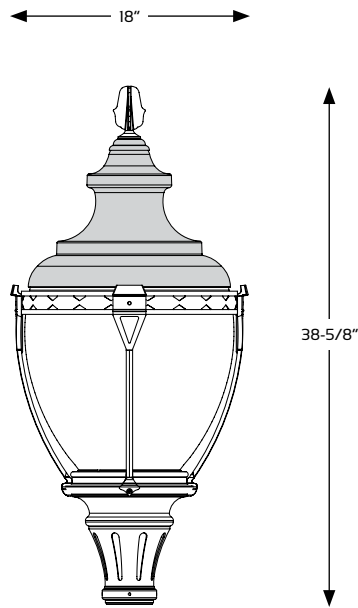
ESTABLISHED 1923

800-621-3376
555 Lawrence Ave., Roselle, IL 60172
contactus@sternberglighting.com
www.sternberglighting.com

A880SRLED TOWN SQUARE SERIES

LED

Fixtures



A880SRLED-5P

Fitters

10-1/8" W
10-3/8" H



5P
Fits 3" OD
x 3" tall
tenon/pole

10-1/8" W
10-1/8" H



BD4
Fits 4" OD
x 5" tall
tenon/pole

10-1/8" W
10-1/4" H



BD5
Fits 5" OD
x 6" tall
tenon/pole

10-1/8" W
11-3/4" H



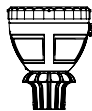
BD7
Fits 7" OD
x 1" tall
tenon/pole

10-1/2" W
15-3/4" H



990
Fits 3" OD
x 3" tall
tenon/pole
994
Fits 4" OD
x 3" tall
tenon/pole

10-1/2" W
13-1/8" H



991
Fits 3" OD
x 3" tall
tenon/pole

10-1/2" W
13-1/8" H



992
Fits 3" OD
x 3" tall
tenon/pole

10-1/2" W
15-3/4" H



993
Fits 3" OD
x 3" tall
tenon/pole
995
Fits 4" OD
x 3" tall
tenon/pole

10-1/2" W
11-3/8" H



OL3
Fits 3" OD
x 3" tall
tenon/pole
OL4
Fits 4" OD
x 3" tall
tenon/pole

10" W
3-1/4" H



C2097
Fits 7" OD
x 1" tall
tenon/pole



SternbergLighting

ESTABLISHED 1923

800-621-3376
555 Lawrence Ave., Roselle, IL 60172
contactus@sternberglighting.com
www.sternberglighting.com

10/21 STERNBERG LIGHTING. ALL RIGHTS RESERVED. PRINTED IN THE USA.