



# 9930-VCOB GETTYSBURG SERIES

LED

EPA  
2.46  
(ft<sup>2</sup>)  
  
WEIGHT  
55LBS

7 YEAR  
WARRANTY

LUMEN  
RANGE  
3,415 to  
7,145

LIFE SPAN  
L70  
MINIMUM  
100,000  
HOURS

UL  
LISTED

CLICK  
FOR FAQ'S

JOB NAME \_\_\_\_\_

FIXTURE TYPE \_\_\_\_\_

MEMO \_\_\_\_\_

## BUILD A PART NUMBER

ORDERING EXAMPLE: **2A-9930-VCOB-4L40TS-MDLO3-CTA-PEC-FHD/480PM/3412FP4/SCC/BKT**

Mounting Config.	Fixture	LED	CCT	Distribution Type	Driver	Lens	Option Control Receptacle	Option Control	Option Fuse	Option Hangstraight	Option House Side Shield	Arm See Arm Spec Sheets	Pole See Pole Spec Sheets	Finish

### Mounting Configuration

(Click here to view mounting configuration sheet)

- 1W
- 2A90
- 4A
- SH44<sup>1</sup>
- PT
- 2APT
- 4APT
- CH44<sup>1</sup>
- 1A
- 3A
- 1AM
- CAT
- 1APT
- 3A90
- 2AM
- 2A
- 3APT
- 450PB

W = Wall Mount PT = Post Top APT = Post Top Arm Mid-Mount  
A = Arm Mount AM = Arm Mid-Mount PB = Pier Base  
SH = Stem Hung CH = Chain Hung CAT = Catenary

<sup>1</sup>Include overall drop in inches after designation for Stem/Chain application (IE: CH44-48")

### Fixture

- 9930-VCOB
- 9930B-VCOB
- 9930TF-VCOB
- 9930H-VCOB

(H) - Hanging style fixture.

### LED

- 4L

### CCT - Color Temperature (K)

- 27(00) • 30(00) • 35(00) • 40(00) • 50(00)

### Distribution Type

- TS • TSSV2 • TSSV4 • TA

### Driver

- MDL05 (120V-277V, 500mA)
- MDH05 (347V-480V, 500mA)
- MDL03 (120V-277V, 350mA)
- MDH03 (347V-480V, 350mA)
- MDL02 (120V-277V, 250mA)
- MDH02 (347V-480V, 250mA)

### Lens (Click here to link to lens specification page)

- CSA (Clear Seeded Acrylic)
- CTA (Clear Textured Acrylic)
- PA (Prismatic Acrylic)
- SV1 (Flat Soft Vue Light Diffused Acrylic)
- SV2 (Flat Soft Vue Moderate Diffused Acrylic)
- SV4 (Flat Soft Vue Maximum Diffused Acrylic)

### Options (Click here to link to view accessories sheet)

- R7<sup>2</sup> 7-Pin control receptacle only
- PE<sup>3</sup> Twist-Lock Photocontrol (120V-277V)
- PE4<sup>3</sup> Twist-Lock Photocontrol (347V-480V)

- SC<sup>3</sup> Shorting Cap
- PEC Electronic Button Photocontrol (120V-277V)
- PEC4 Electronic Button Photocontrol (480V)
- FHD<sup>4</sup> Double Fuse and Holder
- HSHS<sup>5</sup> Standard Horizontal Hangstraight, Spike Finial
- HSHN<sup>5</sup> Standard Horizontal Hangstraight, No Finial
- HSHB<sup>5</sup> Standard Horizontal Hangstraight, Ball Finial
- EZ<sup>5</sup> Vertical Hangstraight, Large, "EZ" Mount
- HSS 120° House Side Shield Panel
- HSS60 House Side Shield Panel (1) full lens panel
- HSS120 House Side Shield Panel (2) full lens panels
- HSS180 House Side Shield Panel (3) full lens panels

<sup>2</sup>Mounted on "HSH\_" hangstraight or on roof in lieu of finial.

<sup>3</sup>Requires control receptacle.

<sup>4</sup>Ships loose for installation in base.

<sup>5</sup>For use with 9930H-VCOB unit only.

### Arm (Click here to view arm website page)

See Arms & Wall Brackets specification sheets.

- 478
- 80
- 6236
- 579
- TA
- TASC
- BA

### Pole (Click here to view pole website page)

See Pole specification sheets.

### Finish (Click here to view paint finish sheet)

#### Standard Finishes<sup>6</sup>

- BKT Black Textured
- WHT White Textured
- PGT Park Green Textured
- ABZT Architectural Medium Bronze Textured
- DBT Dark Bronze Textured

<sup>6</sup>Smooth finishes are available upon request.

#### Custom Finishes<sup>7</sup>

- CM Custom Match
- OI Old Iron
- RT Rust
- WBR Weathered Brown
- CD Cedar
- WBK Weathered Black
- TT Two Tone

<sup>7</sup>Custom colors require upcharge.

### Sternberg Select Finishes

- VG Verde Green
- SI Swedish Iron
- OWGT Old World Gray Textured

## Specifications

### Fixture

The 9930\_-VCOB luminaire is a classically detailed six sided large scale fixture. It consists of a decorative cast cage, cast ballast housing, acrylic lenses and a hinged roof design. The roof shall be appointed with a decorative cast finial.

### Fitter - Standard

The fitter or base shall be heavy wall cast 356 aluminum alloy for high tensile strength. It shall have an inside diameter opening to fit a 4" diameter pole or tenon. When ordered with a Sternberg pole, the fitter shall be attached by set-screw to the pole top or tenon.

### LED's

The luminaire shall use high output, high brightness LED's, consisting of a two piece assembly complete with Chip on Board (COB) LED component and COB holder frame mounted to vertical heat sinks. The LED's and printed circuit boards shall be 100% recyclable; they shall also be protected from moisture and corrosion by a conformal coating. They shall not contain lead, mercury or any other hazardous substances and shall be RoHS compliant. The LED life rating data shall be determined in accordance with IESNA LM-80. The High Performance white LED's will have a life expectancy of approximately 100,000 hours with not less than 70% of original brightness (lumen maintenance), rated at 25°C. The High Brightness, High Output LED's shall be 4000K (2700K, 3000K, 3500K or 5000K option) color temperature with a minimum CRI of 70. Consult factory for custom color CCT. The luminaire shall have a minimum \_\_\_\_\_ (see table) delivered initial lumen rating when operated at steady state with an average ambient temperature of 25°C (77°F).

See next page



# SternbergLighting

ESTABLISHED 1923 / EMPLOYEE OWNED

800-621-3376  
555 Lawrence Ave., Roselle, IL 60172  
info@sternberglighting.com  
www.sternberglighting.com

# 9930-VCOB GETTYSBURG SERIES

LED

## Optics

The luminaire shall be provided with individual, molded silicone refractor type optics applied to each COB (Chip On Board) LED assembly. The optic shall be at least 92% efficient while providing superior thermal, UV and impact resistance for the COB assembly. The optic helps efficiently shape and distribute the light while minimizing up-light. The luminaire shall provide Symmetric and Asymmetric light distribution. Testing shall be done in accordance with IESNA LM-79.

## Electronic Drivers

The LED driver shall be U.L. Recognized. It shall be securely mounted inside the fixture, for optimized performance and longevity. It shall be supplied with a quick-disconnect electrical

connector on the power supply, providing easy power connections and fixture installation. It shall have overload, overheat and short circuit protection, and have a DC voltage output, constant current design, 50/60HZ. It shall be supplied with line-ground, line-neutral and neutral-ground electrical surge protection in accordance with IEEE/ANSI C62.41.2 guidelines. It shall be a high efficiency driver with a THD less than 20% and a high power factor greater than .9. It shall be dimming capable using a 0-10v signal, consult factory for more information.

## Photocontrols

**Button Style:** The photocontrol shall be mounted on the fixture and pre-wired to driver. The electronic button type photocontrol is instant on with a 5-10 second turn off, and shall

turn on at 1.5 footcandles with a turn-off at 2-3 footcandles. Photocontrol is 120-277 volt and warranted for 6 years. See pole spec sheet for pole mounted version.

**Twist-Lock Style:** The photocontrol shall be mounted externally on the fixture and pre-wired to driver. The twist lock type photocontrol is instant on with a 3-6 second turn off, and shall turn on at 1.5 footcandles with a turn-off at 2-3 footcandles. Photocontrol is 120-277 volt and warranted for 6 years.

## Warranty

Seven-year limited warranty. See product and finish warranty guide for details.

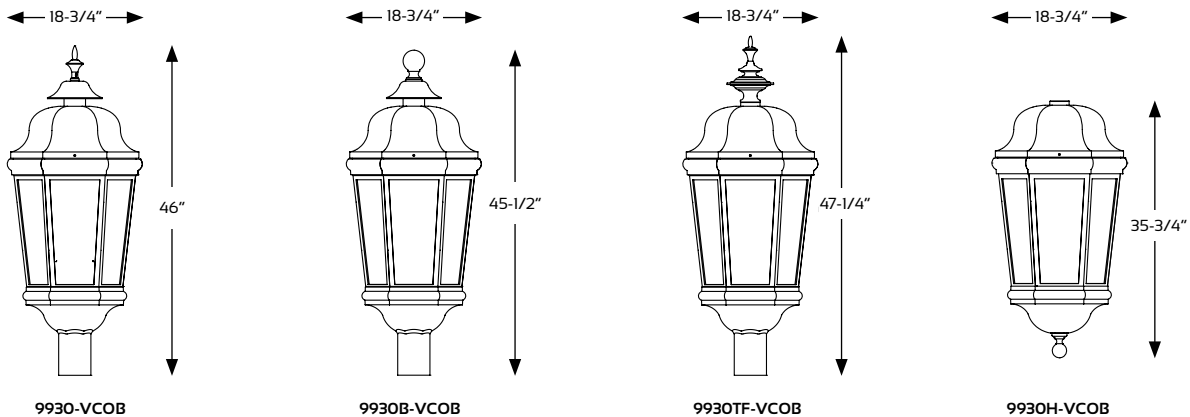
## Finish

Refer to website for details.

## Performance

MODEL #	TS DELIVERED LUMENS	EFFICACY (LPW)	TA DELIVERED LUMENS	EFFICACY (LPW)	WATTS
4L40T_-MDL05	7175	92.0	7145	91.6	78
4L30T_-MDL05	6990	89.6	6965	89.3	78
4L27T_-MDL05	6350	81.4	6325	81.1	78
4L40T_-MDL03	5275	99.5	5255	99.2	53
4L30T_-MDL03	5140	97.0	5120	96.6	53
4L27T_-MDL03	4670	88.1	4655	87.8	53
4L40T_-MDL02	3860	101.6	3850	101.3	38
4L30T_-MDL02	3760	98.9	3750	98.7	38
4L27T_-MDL02	3415	89.9	3410	89.7	38

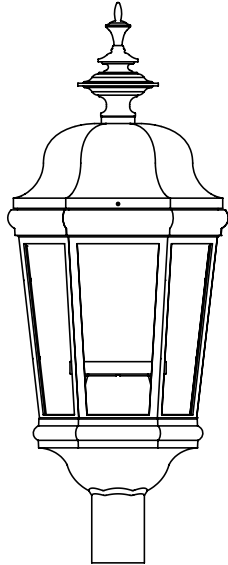
## Fixture Examples



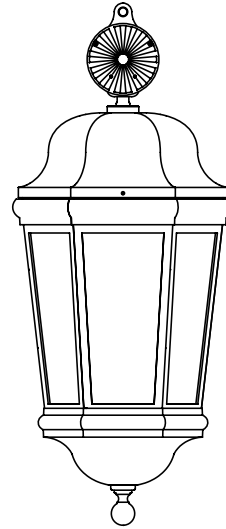
# 9930-VCOB GETTYSBURG SERIES

LED

## Options



TSSVx



CAT



**SternbergLighting**

ESTABLISHED 1923 / EMPLOYEE OWNED

800-621-3376  
555 Lawrence Ave., Roselle, IL 60172  
info@sternberglighting.com  
www.sternberglighting.com

8/20 STERNBERG LIGHTING. ALL RIGHTS RESERVED. PRINTED IN THE USA.