

6590 VICTORIAN GASLIGHT I SERIES

SPECIFICATIONS

GENERAL

The 6590 Gaslight I is a large scale Victorian authentically detailed fixture which consists of a decorative cast aluminum fitter, with ballast housing and polycarbonate or acrylic clear lens. It features decorative ropes supporting gracefully detailed aluminum hinged roof. It shall be appointed with a cast aluminum pedestal ball finial on top of a tall spun aluminum cupola.

FITTER

The fitter shall be heavy wall cast aluminum alloy for high tensile strength. It shall have an inside diameter opening to accept a 3" diameter pole or tenon. When ordered with a Sternberg aluminum pole, the fitter shall be set screwed to the pole top or tenon.

BALLAST HOUSING

The ballast housing shall be heavy wall cast aluminum alloy for high tensile strength. The housing shall be integral to the cast fitter. The ballast shall be attached to the ballast housing by two aluminum wide faced "Z" brackets to ensure high capacity heat sinking of ballast temperatures, keeping the ballast cooler and ensuring long life.

ELECTRICAL

Fixture shall be U.L. or E.T.L. listed in U.S. and Canada. H.I.D. ballasts shall be high power factor with lamp starting down to -30 degrees C. Medium base and mogul base porcelain sockets are 4KV rated. The ballast/socket assembly shall be pre-wired when ballast is located in the fixture. All compact fluorescent (PL) ballasts shall be instant start electronic with a starting temperature of down to 0 degrees F. They shall have a 4-pin socket to accept quad or triple tube lamps. Ballasts shall be DOE EISA compliant.

FIXTURE HOUSING

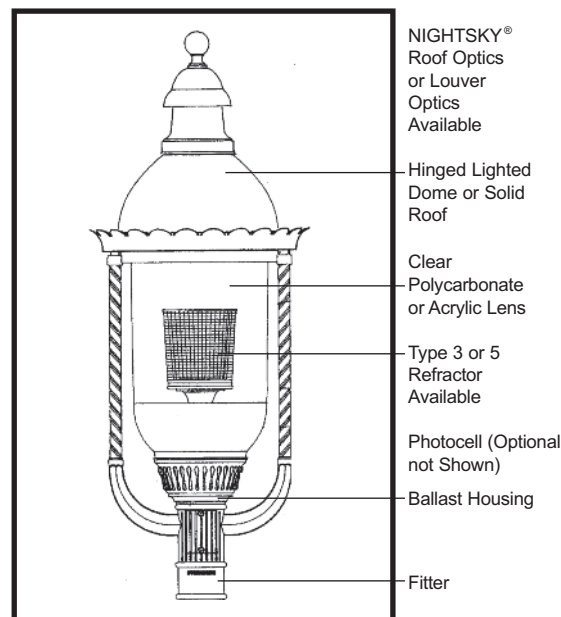
The 6590 fixture shall be 18" in diameter x 46" tall with a 7" diameter neck on the lens. The clear lens shall be made of vandal resistant clear textured polycarbonate or dent resistant (DR) clear acrylic. The lower section of the lens shall be frosted. The cast aluminum lens holder and scalloped roof ring shall be made of cast aluminum alloy for high tensile strength. The roof shall be aluminum painted white (Model 6590), white translucent acrylic (Model 6590GT), polished brass (Model 6590BD) or antique copper (Model 6590CD).

OPTICAL OPTIONS

Refractors shall be 6" diameter borosilicate glass with an I.E.S. Type 3 (RE3) or Type 5 RE5) distribution. It shall be secured to the socket stem with 3/8" plated steel threaded pipe nipple and rest on a cast aluminum holder with anti-shock gasket. The refractor will be secured to cast holder with a quarter-turn internal aluminum twist ring for ease of maintenance.

The NIGHTSKY® OPTI-SHIELD® Louver Optic System (LO) shall be a multi-tier reflector with 7" diameter rings to produce an I.E.S. Cut-off Type 3 or 5 distribution. The Louver Optic System shall be made of highly specular anodized aluminum and shall come standard with medium base socket.

NIGHTSKY® STAR-SHIELD® Roof Optics distribution shall be delivered by a one piece hydro formed, roof mounted reflector system which eliminates uplight and provide cut-off.



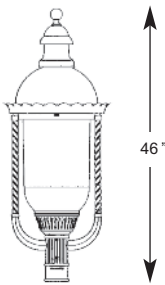
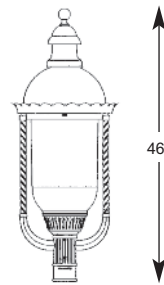
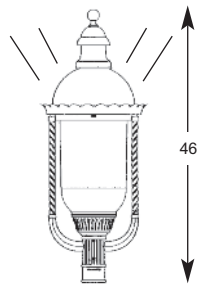
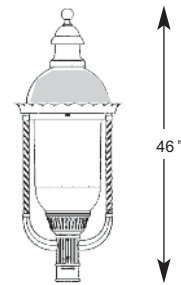
EPA = 1.50 (ft²)
WEIGHT = 24 LBS

LIST NO. 6590
VICTORIAN
GASLIGHT I
SERIES

6590 VICTORIAN GASLIGHT I




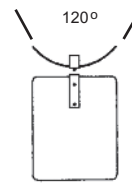
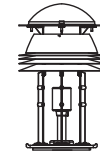
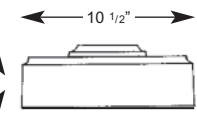
FIXTURES / ARMS PM - WB

FIXTURES

18" W	18" W	18" W	18" W
			
46"	46"	46"	46"
6590 Polycarbonate Lens	6590A Acrylic Lens	6590GT Polycarbonate 6590AGT Acrylic Glow Top	6590BD Brass Dome 6590CD Copper Dome

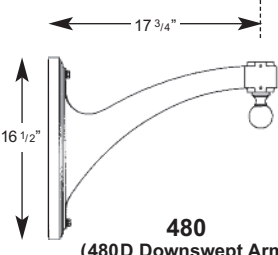
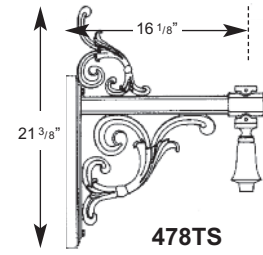
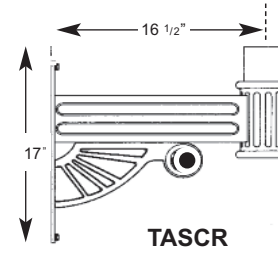
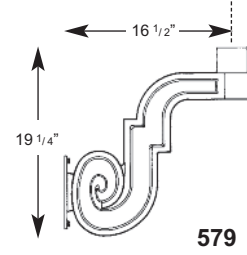
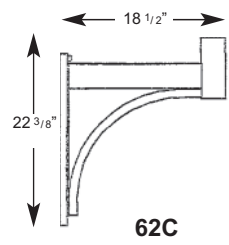
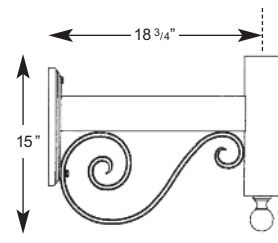
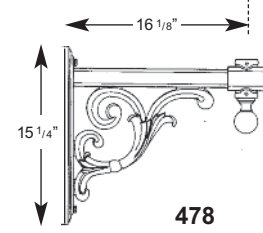
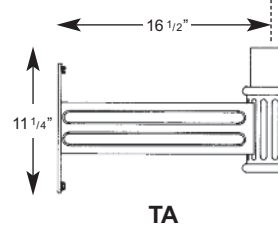
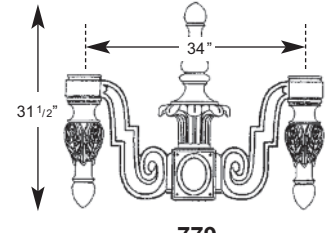
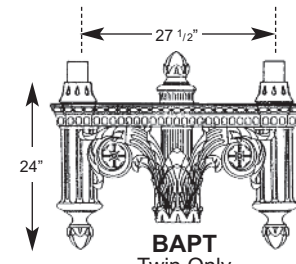
OPTICAL SYSTEMS

PIER BASE MOUNTS (PB)

		Alzak Disc 			
FHC Frosted Hurricane Chimney	RO Roof Optics Type 2, 3 or 5	RE3 RE5 Refractor	HSS House Side Shield	LO3 LO5 Louver Optics	450PB

ARMS - POST MOUNT (PM) or WALL BRACKETS (WB)

See Arms Section for more information

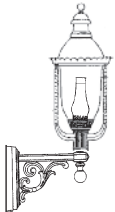
				
480 (480D Downswept Arm)	478TS	TASCR	579	62C
				
6236	478	TA	779	
				
			BAPT Twin Only	

BUILDING A PART NUMBER



POST & ARM FIXTURES

ARM MOUNTED FIXTURE		CENTER POST TOP FIXTURE (PT)	POST	POST CAP	LIGHT SOURCE BALLAST	OPTICS	OPTIONS	FINISH		
NO. OF ARMS	FITTER / POSTARM	(See Post Section)			WATTS / TYPE / VOLTS					
		6590	PT	3912	FP4		100HPS120	RE3	HPS100/MED	BKT



WALL FIXTURES

FIXTURE/WALLBRACKET	LIGHT SOURCE BALLAST	OPTICS	OPTIONS	FINISH	PIER FIXTURES
	WATTS/TYPE/VOLTS				Uses same information boxes as wall fixture
6590/478WB	100HPS120	RO3/FHC	HPS100/MED	BKT	6590/450PB

FIXTURE / PIER BASE



PART NUMBER SELECTIONS

FIXTURES

- 6590
- 6590A
- 6590GT⁵
- 6590AGT⁵
- 6590BD
- 6590ABD
- 6590CD
- 6590ACD

OPTICS

- RE3
- RE5
- ALZAK
- HSS
- LO3
- LO5
- RO2^{4,6}
- RO3^{4,6}
- RO5^{4,6}
- FHC³

WALL BRACKET ARMS

- 478WB
- 478TSWB
- 480WB
- 480DWB
- 62CWB
- 6236WB
- 579WB
- TAWB
- TASCROWB

VOLTAGES

- 120
- 208
- 240
- 277
- 480
- MULTI (120-277)

POST ARMS

- 478PM
- 478TSPM
- 480PM
- 480DPM
- 62CPM
- 6236PM
- 579PT
- TAPT
- TASCRCR
- BAPT
- 779PT

PIER BASE

- 450PB

BALLASTS²

- 35HPS¹
- 50HPS
- 70HPS
- 100HPS
- 150HPS
- 50MHP
- 70MHP
- 100MHP
- 150MHP

LAMPS⁶

- HPS35/MED
- HPS50/MED
- HPS70/MED
- HPS100/MED
- HPS150/MED
- MHP50/MED
- MHP70/MED
- MHP100/MED
- MHP150/MED

STANDARD FINISHES*

- BKT Black Textured
- WHT White Textured
- PGT Park Green Textured
- ABZT Architectural Medium Bronze Textured
- DBT Dark Bronze Textured

*Smooth Finishes are available upon request

CUSTOM FINISHES

- OI Old Iron
- RT Rust
- WBR Weathered Brown
- CD Cedar
- WBK Weathered Black
- TT Two Tone

STERNBERG SELECT FINISHES

- VG Verde Green
- SI Swedish Iron
- OWGT Old World Gray Textured

OPTIONS

- PEC1 Photocell-Bimetal 120 Volt
- PEC2 Photocell-Bimetal 208-277 Volt
- PEC1-E Photocell-Electronic 120 Volt
- PEC2-E Photocell-Electronic 208-277 Volt
- FHS Single Fuse and Holder-120,277 Volt
- QR Quartz Re-Strike
- FHD Dual Fuse and Holder-208,240,480 Volt
- PF Pineapple Finial or Font (TA, TASCRCR)
- BF Ball Finial or Font (TA, TASCRCR)
- LAMPS Select from List

NOTES:

- ¹ 35HPS is 120 volt only.
- ² Medium base sockets standard with ballasts up to 150 watts HID. Mogul base sockets are standard with ballasts 200 watts and over.
- ³ MED base only when used to house lamp.
- ⁴ Medium base lamp only. Consult factory for mogul base.
- ⁵ RE3G, RE5G or FHC optics only, 150 watts max.
- ⁶ Metal halide systems are pulse start.

6590 VICTORIAN GASLIGHT I SERIES

SPECIFICATIONS

**LIST NO. 6590
VICTORIAN
GASLIGHT I
SERIES**

The reflector cavity shall be made of specular anodized aluminum. Roof Optics Type 2 (RO2), Type 3 (RO3), Type 5 (RO5) horizontal are available for medium base lamps.

Frosted Glass Hurricane Chimney (FHC) is an optic option which adds an authentic touch and can be used with Roof Optics.

House Side Shield (HSS) is an option which will block up to 120° of light in any one direction.

QUARTZ RE-STRIKE

All 6590 fixtures can be supplied with an optional quartz re-strike system to retain constant fixture light if the H.I.D. lamp fails. The fixture will be equipped with a 100 watt quartz lamp and a controller to run on a 120 volt circuit and must be used in conjunction with a 120 volt or multi-tap ballast.

PHOTOCELLS

Photocells shall be either the thermo bi-metal button type or the electronic button type. On single post top fixtures the photocell shall be mounted in the fitter and pre-wired to ballast. On multiple head fixture assemblies photocells shall be mounted in the pole shaft on an access plate and are not pre-wired as ballast housing assemblies and fitters are packaged separately for ease of wiring to source. The thermo bi-metal photocell shall be designed to turn on at 1.0 footcandle and turn off at not more than 5 footcandles. The electronic button type photocell is instant on and a 5-10 second turn off and shall turn on at 1.5 footcandles with a turn-off at 2-3 footcandles. Photocells are either 120 volt or 208 thru 277 volt.

ARMS

All arms are made of cast aluminum and/or extruded aluminum. Arms with decorative filigree have meticulously detailed scroll work and gracefully curved brackets. All 6590 fixtures will have its fitter either welded to the arm or will be mechanically attached at the factory to ensure arms will be plumb, secure and level over the life of the installation. Each arm shall be bolted to a post mount adapter, which is welded to the pole to ensure proper alignment to the base. Twin TA, TASCRA and 579 arms will be attached to a decorative center hub which will slip-fit the center tenon of the pole (not shown). BA and 779 arms are available as a twin application. Arms are pre-wired for ease of installation.

FINISH

Prior to coating, each assembly shall be chemically cleaned and etched in a 5-stage washing system which includes alkaline cleaning, rinsing, phosphoric etching, reverse osmosis water rinsing and non-chrome sealing to ensure corrosion resistance and excellent adhesion for the finish coating. The finish coating shall be electrostatically applied semi-gloss, super durable polyester powder baked at 400 degrees for a durable and superior, color retentive finish. Our optional antique Verde Green finish and Swedish Iron finish are hand brushed using a 3-step process. The total assembly shall be wrapped in shockproof wrapping or fully enclosed in corrugated cartons.

WARRANTY

Five-year limited warranty. See product and finish warranty guide for details.

