

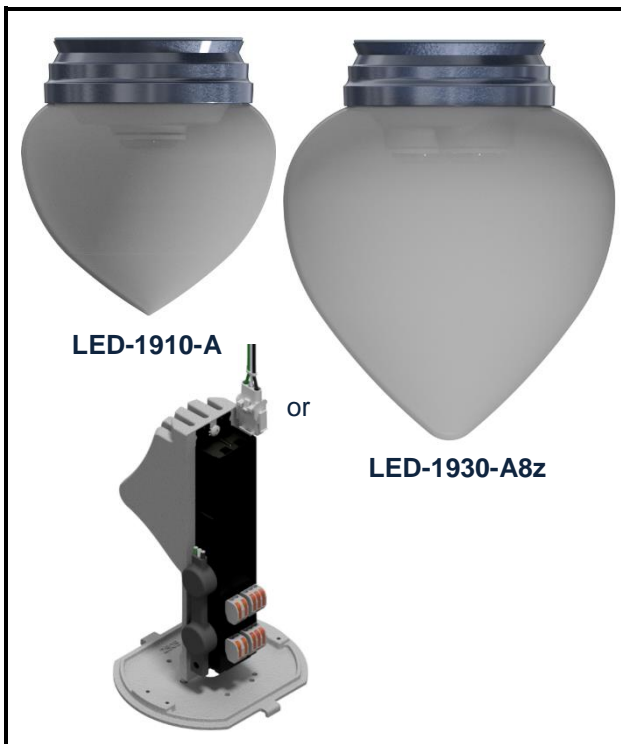


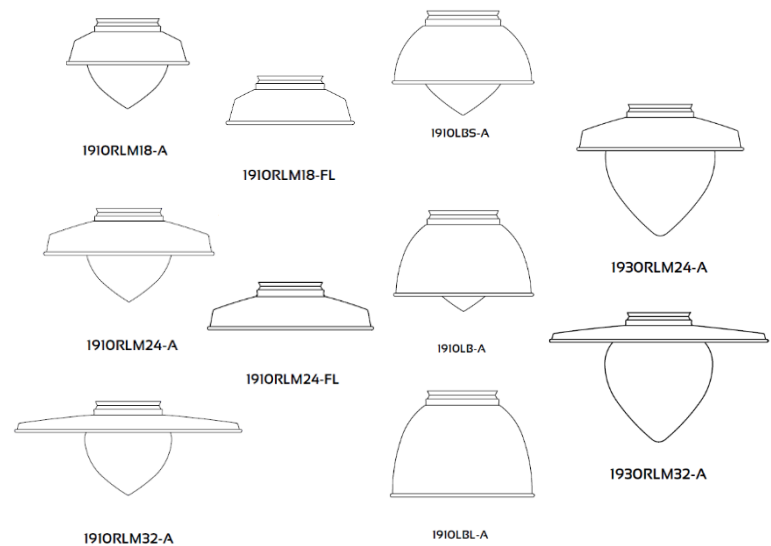
Installation Instructions	Product : LED-1910(30) – ACORN (Conversion Kit)
Effective Date: April 21, 2021	Part Description: Historical Fitter Downlights

	WARNING: To avoid fire, shock or death, turn off and lockout power before performing any maintenance.
	CAUTION: This Fixture must be wired in accordance with the National Electric Code (NEC) and all applicable local codes. Proper grounding is required. A qualified electrician must do all work.



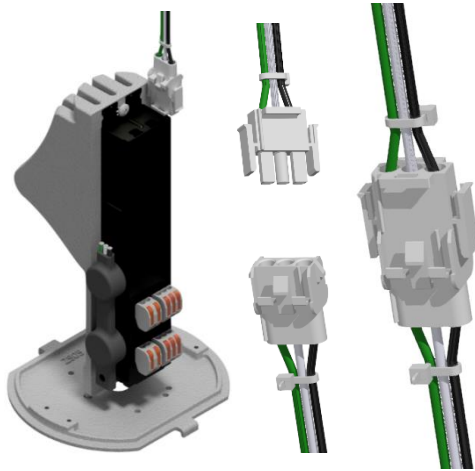
STEP 1: Unpack the LED-1910 CONVERSION KIT (Heatsink-Acorn and Driver Assemblies). Handle with care. Recycle the empty packaging.

OPTIONAL PER SPECIFICATION SHEETS CONFIGURATIONS:



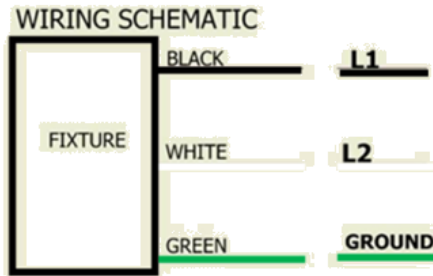
STEP 2: On existing HID fixture -

- 2.1. Loosen four Allen head set screws retaining the tear drop globe, but do not remove.
- 2.2. Remove Acorn by carefully lowering down.
- 2.3. Remove all HID components - including lamp, socket, wires, reflectors, refractors and ballast out of fitter.



STEP 3:

- 3.1. Disconnect the male quick disconnect from the female quick disconnect in driver assembly.
- 3.2. Wire the free end of the male connector to the supply lines from pole via mounted fitter. See wiring schematic below.



- 3.3. Connect the male and female connectors together and press firmly to lock them.

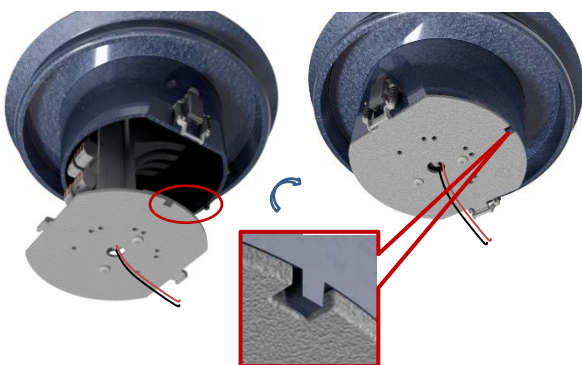


STEP 4: Insert and seat the driver assembly in fitter at 90° of the slot in the tray with the cap.

STEP 5: Pass wires from the Heatsink-Acorn Assembly thru hole of the cap to the driver side and connect them by provided connectors – RED to RED and BLUE to BLACK.



NOTE: The Heatsink-Acorn Assembly is sealed and does not need to be opened as part of the standard installation.
Separating these components in the field will void warranty.



STEP 6: Line up the slot in the cap with the ridge in the fitter for proper alignment and fit. Then close the cap by clamping spring retaining latches.

NOTE: Be careful not to pinch wires.



STEP 7: Carefully install the Heatsink-Acorn Assembly into the fitter. Uniformly tighten all 4 set screws located at the Fitter of the fixture using a Good Manufacturing Practice (GMP) tightening practice as shown below:

NOTE: Street-side orientation denoted via label placed on heatsink.

Revision History				
Rev	Description of Revision	Release Date	Design Engineer Author	Manufacturing Engineer Approval
A	Create Fixture Installation Instructions	04/21/2021	Nataliya Kozyreva	Grant Burton