



1843 CARSON CITY SERIES

HID

CLICK FOR FAQ'S
FAQ

EPA 3.77 (ft²)
WEIGHT 40 LBS

5 YEAR WARRANTY

MAXIMUM WATTAGE 250W

UL LISTED

JOB NAME _____

FIXTURE TYPE _____

MEMO _____

BUILD A PART NUMBER

ORDERING EXAMPLE: **2A-1843-100HPS120-MED-RE3-CA-PEC-FHS/480PM/3610FP4/BKT**

Mounting Config.	Fixture	Ballast	Volts	Socket	Optic	Lens	Option Photocontrol	Option Fuse	Quartz Re-Strike	Lamps <small>See Lamp Spec Sheet</small>	Arm <small>See Arm Spec Sheets</small>	Pole <small>See Pole Spec Sheets</small>	Finish

Mounting Configuration¹

(Click here to link to mounting configuration specification page)

- 1W • 3PT • 2A90 • 4A
- PT • 4PT • 3A • 1AM
- 1APT • 1A • 3A90 • 2AM
- 2PT • 2A • 3A120 • 450PB

W = Wall Mount PT = Post Top APT = Post Top Arm Mid-Mount
A = Arm Mount AM = Arm Mid-Mount PB = Pier Base

¹ See Mounting Configuration Sheet

Fixture

- 1843 • 1843TF • 1843OBE
- 1843BE • 1843O • 1843OTF

Ballast^{2,3}

- 35HPS⁴ • 70MHP • 57CFL
- 50HPS • 100MHP • 70CFL
- 70HPS • 150MHP • INCAND
- 100HPS • 200MHP • QL55⁵
- 150HPS • 250MHP • QL85⁵
- 200HPS • 26CFL
- 250HPS • 32CFL
- 50MHP • 42CFL

² Medium base sockets standard with ballasts up to 150 watts HID. Mogul base sockets are standard with ballasts 200 watts and over. 4-pin for PL.

³ Metal halide systems are pulse start.

⁴ 35HPS is 120 volt only.

⁵ Consult factory for specification details.

Volts

- 120 • 208 • 240 • 277 • 480

Socket

- MED • MOG • 4P (4-Pin)

Optic

- RE3 • ALZAK • RO25^{6,7} • FHC⁸
- RE5 • LO3 • RO3^{6,7}
- HSS • LO5 • RO5^{6,7}

⁶ MED base only when used to house lamp.

⁷ Medium base lamp only. Consult factory for mogul base.

⁸ Can support PLH or PLT up to 60 watts.

Lens

- CSA • CA • CTA • PA • WA

Options

- PEC Electronic Photocontrol 120-277 Volt
- FHS Single Fuse & Holder - 120, 277 Volt
- FHD Dual Fuse & Holder - 208, 240, 480 Volt
- QR Quartz Re-Strike
- LAMPS See Lamp Specification Sheet

Arm (Click here to link to arm specification page)

See Arms & Wall Brackets specification sheets.

- 478 • 62 • 579 • TASCRA • BA
- 480 • 6236 • TA • 779

Pole (Click here to link to pole specification page)

See Pole specification sheets.

Finish

Standard Finishes⁹

- BKT Black Textured
- WHT White Textured
- PGT Park Green Textured
- ABZT Architectural Medium Bronze Textured
- DBT Dark Bronze Textured

⁹ Smooth finishes are available upon request

Custom Finishes¹⁰

- OI Old Iron
- RT Rust
- WBR Weathered Brown
- CD Cedar
- WBK Weathered Black
- TT Two Tone

¹⁰ Custom colors require upcharge.

Sternberg Select Finishes

- VG Verde Green
- SI Swedish Iron
- OWGT Old World Gray Textured

Specifications

Fixture

The fixture shall be 18-1/4" wide and the overall height shall be 41-3/4". It shall be made of heavy wall cast aluminum, 356 alloy and lenses will be made of vandal resistant acrylic, available in clear (CA), clear seeded (CSA), clear textured (CTA), prismatic (PA), and white (WA) acrylic.

The 1843 fixture features a closed recessed panel roof with cupola and cast ball finial. The 1843BE fixture features a cupola with brass eagle. The 1843TF fixture features a cast decorative tall finial. The 1843-O is an open roof design with lensed panels which allow uplight.

Fitter

The fitter or base shall be heavy wall cast aluminum, 356 alloy for high tensile strength. It shall have an inside diameter opening to accept a 3" diameter pole or tenon. When ordered with a Sternberg aluminum pole, the fitter shall be set screwed to the pole top or tenon.

Ballast Housing

The ballast housing shall be heavy wall cast aluminum, 356 alloy for high tensile strength. The housing shall be mounted cast in one piece to the fitter to ensure a water-tight compartment. The ballast shall be attached to the ballast housing to ensure high capacity heat sinking of ballast temperatures, keeping the ballast cooler and ensuring long life. The ballast shall be mounted on a pull out door for easy ballast maintenance.

Electrical

Fixture shall be U.L. or E.T.L. listed in U.S. and Canada. H.I.D. ballasts shall be high power factor with lamp starting down to -30 degrees C. Medium base and mogul base porcelain sockets are 4KV rated. The ballast/socket assembly shall be pre-wired when ballast is located in the fixture. All compact fluorescent (PL) ballasts shall be instant start electronic with a starting temperature of down to -10 degrees F. They shall have a 4-pin socket to accept quad or triple tube lamps. Ballasts shall be DOE EISA compliant.

Optical Options

Refractors shall be borosilicate glass with an IES type 3 or 5 distribution, using a vertically mounted lamp.

See next page

It shall be secured to the socket/stem with 3/8" plated steel threaded pipe nipple and rest on a cast aluminum holder with anti-shock gasket. The refractor will be secured to cast holder with a quarter-turn internal aluminum twist ring for ease of maintenance.

Alzak Disk shall be an optical shield to help direct light downward. It shall be 7" diameter and made of specular reflective aluminum and mounted directly above a vertically mounted lamp.

The **NIGHTSKY® OPTI-SHIELD® Louver Optic System (LO)** shall be a multi-tier reflector with 7" diameter rings to produce an I.E.S. Cut-off Type 3 or 5 distribution. The Louver Optic System shall be made of highly specular anodized aluminum and shall come standard with medium base socket.

NIGHTSKY® STAR-SHIELD® ROOF Optics shall be a roof mounted reflector systems which eliminate up light and provide cut-off distribution. The reflector cavity shall be made of a multi-segmented reflector, with semi specular finish. Distribution types 2, 3 and 5 are available with a horizontally mounted lamp.

Frosted Hurricane Chimney shall be a frosted glass element which adds an authentic touch. It can be used to house a lamp with a medium base socket, or as an additional aesthetic feature used in conjunction with a roof optic system.

House Side Shield shall be an additional optic used to block 120° of light in any one direction.

Quartz Re-strike

The 1843 fixture can be supplied with an optional quartz re-strike system to retain constant fixture light if the H.I.D. lamp fails. The fixture will be equipped with a 100 watt quartz lamp and a controller to run on a 120 volt circuit and must be used in conjunction with a 120 volt or multi-tap ballast.

Photocontrols

Photocontrols shall be the electronic button type. On single post top fixtures the photocontrol shall be mounted in the fitter and pre-wired to ballast. On multiple head fixture assemblies photocontrols shall be mounted in the pole shaft on an access plate and are not pre-wired as ballast housing assemblies and fitters are packaged separately for ease of wiring to source. The electronic button type photocontrols is instant on and a 5-10 second turn off and shall turn on at 1.5 footcandles with a turn-off at 2-3 footcandles. Photocontrols are either 120 thru 277 volt.

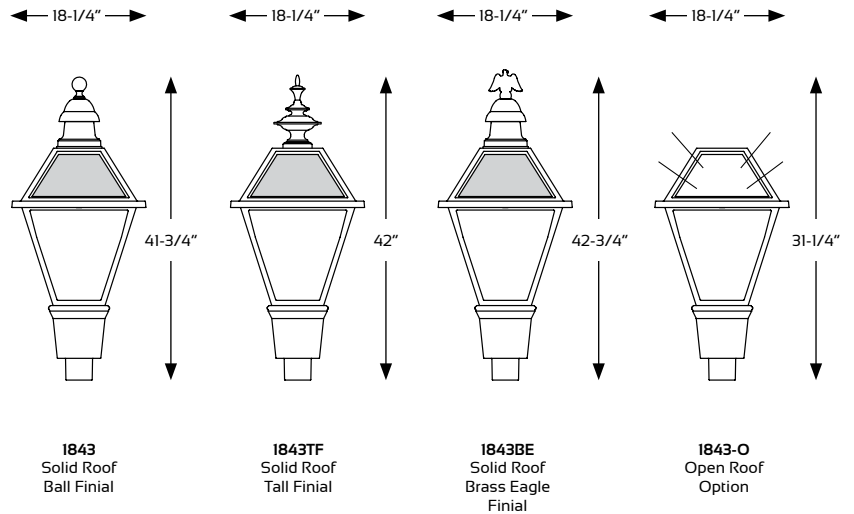
Warranty

Five-year limited warranty. See product and finish warranty guide for details.

Finish

Refer to website for details.

Fixtures



Optical Systems

