



1843LED CARSON CITY SERIES

LED

EPA
3.77 (ft²)
WEIGHT
55 LBS

7 YEAR
WARRANTY

LUMEN
RANGE
2,580 to
15,525

LIFE
SPAN
L70
UP TO
100,000
HOURS

CLICK
FOR FAQ'S

JOB NAME _____

FIXTURE TYPE _____

MEMO _____

BUILD A PART NUMBER

ORDERING EXAMPLE: **2A-1843LED-12L40T5-MDH008-CSA-PEC-FHD/480PM/3610FP4/BKT**

Mounting Config.	Fixture	LED	CCT	Type	Driver	Lens	Option Photocontrol	Option Fuse	Option Hangstraight	Option House Side Shield	Option Chimney	Option Flat Lens	Arm See Arm Spec Sheets	Pole See Pole Spec Sheets	Finish

Mounting Configuration

(Click here to link to mounting configuration specification page)

- 1W • 2A90 • 4A • SH44
- PT • 2APT • 4APT • CH44
- 1A • 3A • 1AM • CAT
- 1APT • 3A90 • 2AM
- 2A • 3APT • 450PB

W = Wall Mount PT = Post Top APT = Post Top Arm Mid-Mount
A = Arm Mount AM = Arm Mid-Mount PB = Pier Base SH = Stem Hung
CH = Chain Hung CAT = Catenary

Fixture

- 1843LED • 1843LEDTF
- 1843LEDBE • 1843LEDH

(H) - Hanging style fixture.

LED

- 32L • 24L • 16L • 12L

CCT - Color Temperature (K)

- 27(00) • 30(00) • 40(00) • 50(00)

Type

- T2 • T3 • T4 • T5

Driver

- MDL018¹ (120V-277V, 180mA)
- MDH018¹ (347V-480V, 180mA)
- MDL016² (120V-277V, 160mA)
- MDH016² (347V-480V, 160mA)
- MDL014³ (120V-277V, 140mA)
- MDH014³ (347V-480V, 140mA)
- MDL008⁴ (120V-277V, 80mA)
- MDH008⁴ (347V-480V, 80mA)

¹24L systems only.

²32L and 16L systems only.

³24L and 12L systems only.

⁴12L systems only.

Lens (Click here to link to lens specification page)

- SV1 (Flat Soft Vue Light Diffused Acrylic)
- SV2 (Flat Soft Vue Moderate Diffused Acrylic)
- SV4 (Flat Soft Vue Maximum Diffused Acrylic)
- CTA (Clear Textured Acrylic)
- CSA (Clear Seeded Acrylic)
- PA (Prismatic Acrylic)
- ATA (Amber Textured Acrylic)

Options

- PEC Electronic Button Photocontrol (120V-277V)
- PEC4 Electronic Button Photocontrol (480V)
- FHD⁵ Dual Fuse and Holder
- EZ Vertical Hangstraight, Large, "EZ" Mount
- HSS 120° House Side Shield
- BLOC Back Light Optical Control
- FHC Frosted Chimney
- SVIF Light diffused internal flat lens
- SV2F Moderate diffused internal flat lens

⁵ Ships loose for installation in base

Arm (Click here to link to arm specification page)

See Arms & Wall Brackets specification sheets.

- 4784 • 62C • 579 • TASCRA • BA
- 480 • 6236 • TA • 779

Pole (Click here to link to pole specification page)

See Pole specification sheets.

Finish (Click here to view paint finish sheet)

Standard Finishes⁶

- BKT Black Textured
- WHT White Textured
- PGT Park Green Textured
- ABZT Architectural Medium Bronze Textured
- DBT Dark Bronze Textured

⁶ Smooth finishes are available upon request.

Custom Finishes⁷

- CM Custom Match
- OI Old Iron
- RT Rust
- WBR Weathered Brown
- CD Cedar
- WBK Weathered Black
- TT Two Tone

⁷ Custom colors require upcharge.

Sternberg Select Finishes

- VG Verde Green
- SI Swedish Iron
- OWGT Old World Gray Textured

Specifications

Fixture

The 1843LED Carson City series measures 18-1/4" wide and 41-3/4" tall. The luminaire shall be made of heavy wall cast aluminum alloy. The luminaire shall be provided with a cast aluminum hinged roof with optimized heat sinks to provide maximum life and performance for the LED light sources. The luminaire shall be UL listed in US and Canada.

Fitter - Standard

The fitter or base shall be heavy wall cast aluminum, alloy for high tensile strength. The fitter shall have an inside diameter opening to accept a 3" OD x 3" tall pole or tenon.

LED's

The luminaire shall use high output, high brightness LED's. They shall be mounted in arrays, on printed circuit boards designed to maximize heat transfer to the heat sink surface. The arrays shall be roof mounted to minimize up-light. The LED's and printed circuit boards shall be environmentally friendly and 100% recyclable, they shall also be protected from moisture and corrosion by a conformal coating of 1 to 3 mils. They shall not contain lead, mercury or any other hazardous substances and shall be RoHS compliant. The LED life rating data shall be determined in accordance with IESNA LM-80. They shall operate in a -40°C (-40°F) to +50°C (122°F) ambient air temperature range. The High Performance white LED's will have a life expectancy of approximately 70,000 hours with not less than 70% of original brightness (lumen maintenance), rated at 25°C. The High Brightness, High Output LED's shall be 2700K, 3000K, 4000K or 5000K option color temperature with a minimum CRI of 70. The luminaire shall have a minimum _____ (see table) delivered initial lumen rating when operated at steady state with an average ambient temperature of 25°C (77°F).

See next page

1843LED CARSON CITY SERIES

LED

Optics

The luminaire shall be provided with individual, refractor type optics applied to each LED. The luminaire shall provide Type ____ (2, 3, 4 or 5) light distribution per the IESNA classifications. Testing shall be done in accordance with IESNA LM-79.

Electronic Driver

The LED driver shall be U.L. Recognized. It shall be securely mounted inside the fixture, for optimized performance and longevity. It shall be supplied with a quick-disconnect electrical connector on the power supply, providing easy power connections and fixture installation. It shall have overload as well as short circuit protection, and have a DC voltage output, constant current design, 50/60HZ. It shall be supplied with line-ground, line-neutral and neutral-ground electrical surge protection in accordance with IEEE/ANSI C62.41.2 guidelines. It shall be dimmable using a 0-10v signal.

Photocontrols

Button Style: On single post top fixtures the photocontrol shall be mounted in the fitter and pre-wired to ballast. On multiple head fixture assembly's photocontrol shall be mounted in the pole shaft on an access plate and are not pre-wired as ballast housing assemblies and fitters are packaged separately for ease of wiring to source. The electronic button type photocontrol is instant on with a 5-10 second turn off, and shall turn on at 1.5 footcandles with a turn-off at 2-3 footcandles. Photocontrol is 120-277 volt and warranted for 6 years.

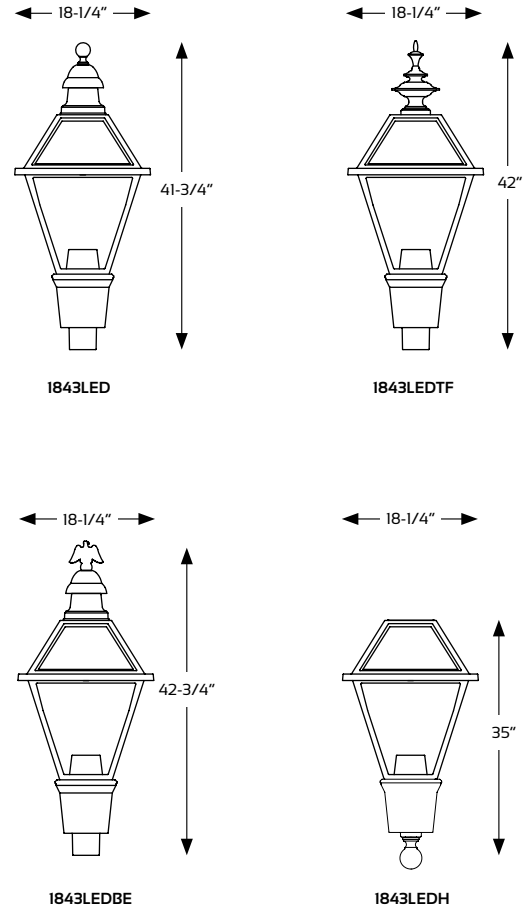
Warranty

Seven-year limited warranty. See product and finish warranty guide for details.

Finish

Refer to website for details.

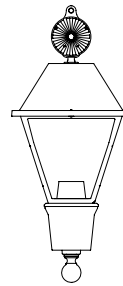
Fixture Examples



Options



FHC
Frosted
Chimney



CAT
Catenary



SternbergLighting

ESTABLISHED 1923 / EMPLOYEE OWNED

800-621-3376
555 Lawrence Ave., Roselle, IL 60172
info@sternberglighting.com
www.sternberglighting.com

5/20 STERNBERG LIGHTING. ALL RIGHTS RESERVED. PRINTED IN THE USA.

1843LED CARSON CITY SERIES

LED

Performance

MODEL #	T2 DELIVERED LUMENS	EFFICACY (LPW)	T3 DELIVERED LUMENS	EFFICACY (LPW)	T4 DELIVERED LUMENS	EFFICACY (LPW)	T5 DELIVERED LUMENS	EFFICACY (LPW)	WATTS
32L40T_-MDL016	14365	107.2	14490	108.1	14690	109.6	15525	115.9	134
32L30T_-MDL016	13695	102.2	13815	103.1	14005	104.5	14800	110.4	134
32L27T_-MDL016	12385	92.4	12490	93.2	12665	94.5	13385	99.9	134
24L40T_-MDL018	12050	103.9	12110	104.4	12200	105.2	12920	111.4	116
24L30T_-MDL018	11490	99.1	11545	99.5	11630	100.3	12320	106.2	116
24L27T_-MDL018	10390	89.6	10440	90.0	10515	90.6	11140	96.0	116
24L40T_-MDL014	9745	112.0	9765	112.2	9845	113.2	10445	120.1	87
24L30T_-MDL014	9290	106.8	9310	107.0	9385	107.9	9960	114.5	87
24L27T_-MDL014	8400	96.6	8420	96.8	8485	97.5	9005	103.5	87
16L40T_-MDL016	7235	108.0	7315	109.2	7335	109.5	7770	116.0	67
16L30T_-MDL016	6900	103.0	6975	104.1	6995	104.4	7410	110.6	67
16L27T_-MDL016	6235	93.1	6305	94.1	6325	94.4	6700	100.0	67
12L40T_-MDL014	4865	108.1	4945	109.9	5050	112.2	5300	117.8	45
12L30T_-MDL014	4640	103.1	4715	104.8	4815	107.0	5055	112.3	45
12L27T_-MDL014	4195	93.2	4265	94.8	4355	96.8	4570	101.6	45
12L40T_-MDL008	2990	110.7	3040	112.6	3100	114.8	3260	120.7	27
12L30T_-MDL008	2850	105.6	2900	107.4	2955	109.4	3110	115.2	27
12L27T_-MDL008	2580	95.6	2620	97.0	2670	98.9	2810	104.1	27