



# 1190 PLAZA SERIES

HID

EPA  
1.15 (ft<sup>2</sup>)  
WEIGHT  
35 LBS

5 YEAR  
WARRANTY

MAXIMUM  
WATTAGE  
250W

UL  
LISTED

JOB NAME \_\_\_\_\_

FIXTURE TYPE \_\_\_\_\_

MEMO \_\_\_\_\_

## BUILD A PART NUMBER

ORDERING EXAMPLE: **2A-1190A-5P-100HPS120-MED-RE5-A-PEC-FHS/579PT/6214FP5/BKT**

Mounting Config.	Fixture	Fitter	Ballast	Volts	Socket	Optic	Lens	Option Photocontrol	Option Fuse	Lamps <small>See Lamp Spec Sheet</small>	Arm <small>See Arm Spec Sheets</small>	Pole <small>See Pole Spec Sheets</small>	Finish

### Mounting Configuration

(Click here to view mounting configuration sheet)

- 1W      • 2A      • 3A90      • 1AM
- PT      • 2A90      • 3APT      • 2AM
- 1A      • 2APT      • 4A      • 45OPB
- 1APT      • 3A      • 4APT

W = Wall Mount   PT = Post Top   APT = Post Top Arm Mid-Mount  
A = Arm Mount   AM = Arm Mid-Mount   PB = Pier Base

### Fixture

- 1190A   • 1190B

### Fitter

- 5P   • BD4   • BD5   • BD7   • OL3   • OL4

### Ballast<sup>1,2</sup>

- 35HPS<sup>3</sup>      • 50MHP      • 32CFL
- 50HPS      • 70MHP      • 42CFL
- 70HPS      • 100MHP      • 57CFL
- 100HPS      • 150MHP      • 70CFL
- 150HPS      • 250MHP      • INCAND
- 250HPS      • 26CFL

<sup>1</sup> Medium base sockets standard with ballasts up to 150 watts. Mogul base sockets are standard with ballasts 200 watts and over. 4-PIN for CFL.

<sup>2</sup> Metal halide systems are pulse start.

<sup>3</sup> 35HPS is 120 volt only.

### Volts

- 120   • 208   • 240   • 277   • 347   • 480

### Socket

- MED   • MOG   • 4P (4-PIN)

### Optic

- NONE   • RE3   • RE5   • ALZAK   • HSS   • LO3   • LO5

### Lens

- A (Acrylic)      • P (Polycarbonate)
- WA (White Acrylic)   • WP (White Polycarbonate)

### Options

- PEC Electronic Photocontrol 120-277 Volt
- FHS<sup>4</sup> Single Fuse & Holder - 120, 277 Volt
- FHD<sup>4</sup> Dual Fuse & Holder - 208, 240, 480 Volt
- LAMPS See Lamp Specification Sheet

<sup>4</sup> Ships loose for installation in base.

### Arm (Click here to view arm website page)

See Arms & Wall Brackets specification sheets.

- 50      • 80      • 779      • TA
- 478      • 480      • 6236      • TASCRC
- 70      • 55      • 579      • BA

### Pole (Click here to view pole website page)

See Pole specification sheets.

### Finish (Click here to view paint finish sheet)

#### Standard Finishes<sup>5</sup>

- BKT Black Textured
- WHT White Textured
- PGT Park Green Textured
- ABZT Architectural Medium Bronze Textured
- DBT Dark Bronze Textured

<sup>5</sup> Smooth finishes are available upon request

#### Custom Finishes<sup>6</sup>

- CM Custom Finish
- OI Old Iron
- RT Rust
- WBR Weathered Brown
- CD Cedar
- WBK Weathered Black
- TT Two Tone

<sup>6</sup> Custom colors require upcharge.

#### Sternberg Select Finishes

- VG Verde Green
- SI Swedish Iron
- OWGT Old World Gray Textured

## Specifications

### Fixture

The 1190A fixture shall be 18" in diameter and 38" tall. The 1190B fixture shall be 18" in diameter and 44-3/4" tall. The acorn globe shall be made of vandal resistant clear textured polycarbonate or dent resistant (DR) clear textured acrylic. White textured is also available. The cage shall be made of cast aluminum, 356 alloy for high tensile strength.

### Fitter - Standard

The fitter shall be heavy wall cast aluminum, 356 alloy for high tensile strength. It shall have

an 8-1/2" inside diameter opening to attach to the 8" neck of the acorn globe. When ordered with a Sternberg aluminum pole, the fitter shall be welded to the pole top or tenon for safety and to ensure the fixture will be plumb, secure and level over the life of the installation. The fitter shall have a one-piece ring bug gasket to resist insect penetration into lamp assembly.

### Electrical

Fixture shall be UL listed in US and Canada. HID ballasts shall be high power factor with lamp starting down to -30 degrees C. Medium base and mogul base porcelain sockets are 4KV rated. The ballast/socket assembly shall be pre-wired when ballast is located in the fitter. Ballasts shall be DOE EISA compliant.

### Optical Options

**Refractors** shall be borosilicate glass with an IES type 3 or 5 distribution, using a vertically mounted lamp. It shall be secured to the socket/stem with 3/8" plated steel threaded pipe nipple and rest on a cast aluminum holder with anti-shock gasket. The refractor will be secured to cast holder with a quarter-turn internal aluminum twist ring for ease of maintenance.

**Alzak Disk** shall be an optical shield to help direct light downward. It shall be 7" diameter and made of specular reflective aluminum and mounted directly above a vertically mounted lamp.

**NIGHTSKY® OPTI-SHIELD® Louver Optic System** shall be a multi-tier reflector with 7" diameter rings to produce an IES cut-off type 3 or 5 distribution. The Louver optic System shall be made of highly specular anodized aluminum and shall come standard with medium base socket.

**House Side Shield** shall be an additional optic used to block 120° of light in any one direction.

### Photocontrols

**Button Style:** On single post top fixtures the photocontrol shall be mounted in the fitter and pre-wired to ballast.

See next page

On multiple head fixture assembly's photocontrol shall be mounted in the pole shaft on an access plate and are not pre-wired as ballast housing assemblies and fitters are packaged separately for ease of wiring to source. The electronic button type photocontrol is instant on with a 5-10 second turn off, and shall turn on at 1.5 foot-candles with a turn-off at 2-3 footcandles. Photocontrol is 120-277 volt and warranted for 6 years.

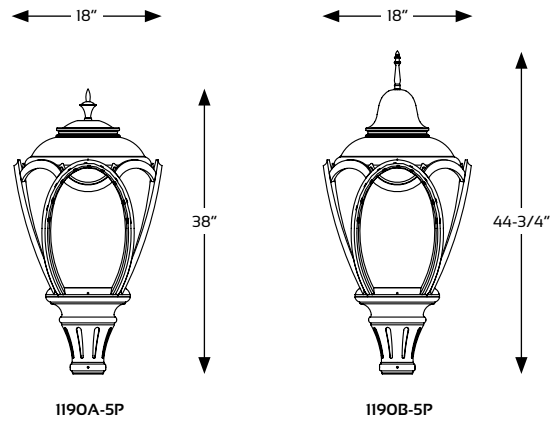
**Warranty**

Five-year limited warranty. See product and finish warranty guide for details.

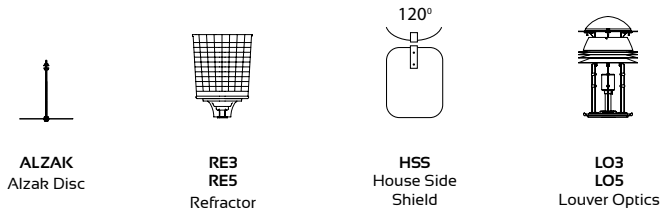
**Finish**

Refer to website for details.

## Fixture Examples



## Optical Systems



## Fitters

