



# 1190ALED / 1190BLED PLAZA SERIES

LED

EPA  
1.15 (ft<sup>2</sup>)  
WEIGHT  
45 LBS

7 YEAR  
WARRANTY

Lumen  
Range  
2,080 to  
8,425

Life Span  
L70  
MINIMUM  
100,000  
HOURS

UL  
LISTED

CLICK  
FOR FAQ'S

RATED  
IP65

JOB NAME \_\_\_\_\_

FIXTURE TYPE \_\_\_\_\_

MEMO \_\_\_\_\_

## BUILD A PART NUMBER

ORDERING EXAMPLE: **2A-1190ALED-5P-24L40T5-MDL014-A-PEC-FHD/480PM/4212FP4/SCC/BKT**

Mounting Config.	Fixture	Fitter	LED	CCT	Type	Driver	Lens	Option Photocontrol	Option Fuse	Option House Side Shield	Arm <small>See Arm Spec Sheets</small>	Pole <small>See Pole Spec Sheets</small>	Finish

### Mounting Configuration

[\(Click here to link to mounting configuration specification page\)](#)

- IW      • 2A      • 3A90      • 1AM
- PT      • 2A90      • 3APT      • 2AM
- 1A      • 2APT      • 4A      • 45OPB
- 1APT    • 3A      • 4APT

W = Wall Mount PT = Post Top A = Arm Mount AM = Arm Mid-Mount PB = Pier Base

### Fixture

- 1190ALED      • 1190BLED

### Fitter

- 5P                      • BD5                      • OL3
- BD4                    • BD7                      • OL4

### LED

- 24L    • 16L    • 12L

### CCT - Color Temperature (K)

- 27(00)    • 30(00)    • 35(00)
- 40(00)    • 50(00)

### Type

- T2      • T3      • T4      • T5

### Driver

- MDL014<sup>1</sup> (120V-277V, 140mA)
- MDH014<sup>1</sup> (347V-480V, 140mA)
- MDL008<sup>2</sup> (120V-277V, 80mA)
- MDH008<sup>2</sup> (347V-480V, 80mA)

<sup>1</sup> 24L, 16L or 12L system only.

<sup>2</sup> 12L system only.

### Lens

- A (Acrylic)                      • P (Polycarbonate)

### Options [\(Click here to view accessories sheet\)](#)

- PEC Electronic Button Photocell (120v-277v)
- PEC4 Electronic Button Photocell (480v)
- FHD<sup>3</sup> Dual Fuse and Holder
- BLOC Back Light Optical Control

<sup>3</sup> Ships loose for installation in base.

### Arm [\(Click here to link to arm specification page\)](#)

See Arms & Wall Brackets specification sheets.

- 50      • 80      • 6236      • TASCR
- 478    • 480    • 579      • BA
- 70      • 55      • TA

### Pole [\(Click here to link to pole specification page\)](#)

See Pole specification sheets.

### Finish [\(Click here to view paint finish sheet\)](#)

#### Standard Finishes<sup>4</sup>

- BKT Black Textured
- WHT White Textured
- PGT Park Green Textured
- ABZT Architectural Medium Bronze Textured
- DBT Dark Bronze Textured

<sup>4</sup>Smooth finishes are available upon request.

#### Custom Finishes<sup>5</sup>

- CM Custom Match
- OI Old Iron
- RT Rust
- WBR Weathered Brown
- CD Cedar
- WBK Weathered Black
- TT Two Tone

<sup>5</sup>Custom colors require upcharge.

#### Sternberg Select Finishes

- VG Verde Green
- SI Swedish Iron
- OWGT Old World Gray Textured

## Specifications

### Fixture

The Plaza series luminaire is an elegantly styled fixture which consists of a decorative cast aluminum cage, fitter and roof, along with a textured acorn. It has LED light sources and roof mounted, down-lighting optics. It features a fully cast aluminum decorative serpentine, petal shaped cage surrounding the acorn. The Luminaire shall be UL listed in US and Canada.

### Fitter

The fitter shall be heavy wall cast aluminum, 356 alloy for high tensile strength. It shall have an 8-1/2" inside diameter opening to attach to the 8" neck of the acorn globe. The fitter shall

have a one-piece ring bug gasket to resist insect penetration into lamp assembly.

### LED's

The luminaire shall use high output, high brightness LED's. They shall be mounted in arrays, on printed circuit boards designed to maximize heat transfer to the heat sink surface. The arrays shall be roof mounted to minimize up-light. The LED's and printed circuit boards shall be 100% recyclable; they shall also be protected from moisture and corrosion by a conformal coating of 1 to 3 mils. They shall not contain lead, mercury or any other hazardous substances and shall be RoHS compliant. The LED life rating data shall be determined in accordance with IESNA LM-80. The High Performance white LED's will have a life expectancy of approximately 100,000 hours with not less than 70% of original brightness (lumen maintenance), rated at 25°C. The High Brightness, High Output LED's shall be 5000K (4500K, 3000K, 3500K or 2700K option) color temperature with a minimum CRI of 70. Consult factory for custom color CCT. The luminaire shall have a minimum \_\_\_\_\_ (see table) delivered initial lumen rating when operated at steady state with an average ambient temperature of 25°C (77°F).

### Optics

The luminaire shall be provided with individual, refractor type optics applied to each LED. The luminaire shall provide Type \_\_\_\_ (2, 3, 4 or 5) light distribution per the IESNA classifications. Testing shall be done in accordance with IESNA LM-79.

**BLOC Optic:** An optional "Back Light Optical Control" shield can be provided at the factory. This is an internal optic level "House Side Shield" offering significantly reduced backlight and glare while maintaining the original design aesthetics of the luminaire.

### Electronic Drivers

The LED driver shall be U.L. Recognized. It shall be securely mounted inside the fixture, for optimized performance and longevity. It shall be supplied with a quick-disconnect electrical See next page

# 1190ALED / 1190BLED PLAZA SERIES

LED

connector on the power supply, providing easy power connections and fixture installation. It shall have overload as well as short circuit protection, and have a DC voltage output, constant current design, 50/60HZ. It shall be supplied with line-ground, line-neutral and neutral-ground electrical surge protection in accordance with IEEE/ANSI C62.41.2 guidelines. It shall be dimmable using a 0-10v signal.

**For sources OVER 50w:** The driver shall have a minimum efficiency of 90%. The driver shall be rated at full load with THD<20% and a power factor of greater than 0.90. The driver shall contain over-heat protection.

**For sources UNDER 50w:** The driver shall have a minimum efficiency of 88%.

### Lens

Materials include DR Acrylic or Polycarbonate. An injection molding process adds textured surface for glare mitigation, even wall thickness and impact resistance.

### Photocontrols

**Button Style:** On a single assembly the photocontrol shall be mounted on the fixture and pre-wired to driver. On multiple head assembly's the photocontrol shall be mounted in the

pole shaft on an access plate. The electronic button type photocontrol is instant on with a 5-10 second turn off, and shall turn on at 1.5 footcandles with a turn-off at 2-3 footcandles. Photocontrol is 120-277 volt and warranted for 6 years.

### Warranty

Seven-year limited warranty. See product and finish warranty guide for details.

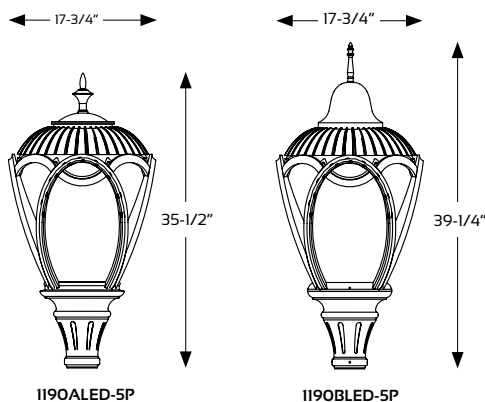
### Finish

Refer to website for details.

## Performance

LIGHT SOURCE	T2 DELIVERED LUMENS	EFFICACY (LPW)	T3 DELIVERED LUMENS	EFFICACY (LPW)	T4 DELIVERED LUMENS	EFFICACY (LPW)	T5 DELIVERED LUMENS	EFFICACY (LPW)	WATTAGE
24L40T_-MDL014	7720	85.8	7720	85.8	8025	89.2	8425	93.6	90
24L30T_-MDL014	7360	81.8	7360	81.8	7650	85.0	8035	89.3	90
24L27T_-MDL014	6655	73.9	6655	73.9	6920	76.9	7265	80.7	90
16L40T_-MDL014	5220	85.6	5145	84.3	5450	89.3	5675	93.0	61
16L30T_-MDL014	4975	81.6	4905	80.4	5195	85.2	5410	88.7	61
16L27T_-MDL014	4500	73.8	4435	72.7	4700	77.0	4890	80.2	61
12L40T_-MDL014	3930	83.6	3910	83.2	4085	86.9	4270	90.9	47
12L30T_-MDL014	3745	79.7	3730	79.4	3895	82.9	4070	86.6	47
12L27T_-MDL014	3390	72.1	3370	71.7	3520	74.9	3680	78.3	47
12L40T_-MDL008	2415	89.4	2400	88.9	2510	93.0	2635	97.6	27
12L30T_-MDL008	2305	85.4	2290	84.8	2395	88.7	2510	93.0	27
12L27T_-MDL008	2080	77.0	2070	76.7	2165	80.2	2270	84.1	27

## Fixtures



## Fitters

