



1130ALED / 1130BLED RIPON SERIES

LED

EPA
1.28 (ft²)
WEIGHT
42 LBS

7 YEAR
WARRANTY

LUMEN
RANGE
8,160 to
10,225

LIFE SPAN
L70
MINIMUM
100,000
HOURS

UL
LISTED

CLICK
FOR FAQ'S

RATED
IP65

JOB NAME _____

FIXTURE TYPE _____

MEMO _____

BUILD A PART NUMBER

ORDERING EXAMPLE: **2A-1130ALED-5P-24L40T5-MDLO14-A-PEC-FHD/80PM/4212FP4/SCC/BKT**

Mounting Config.	Fixture	Fitter	LED	CCT	Type	Driver	Lens	Option Control Receptacle	Option Control	Option Fuse	Option GFI	Option Term. Block	Option House Side Shield	Arm See Arm Spec Sheets	Pole See Pole Spec Sheets	Finish

Mounting Configuration

(Click here to link to mounting configuration specification page)

- 1W • 2A • 3A90 • 1AM
- PT • 2A90 • 3APT • 2AM
- 1A • 2APT • 4A • 45OPB
- 1APT • 3A • 4APT

W = Wall Mount PT = Post Top A = Arm Mount AM = Arm Mid-Mount PB = Pier Base

Fixture

- 1130ALED • 1130BLED

Fitter

- 5P • 992 • 995 • BD7 • C2097
- 990 • 993 • BD4 • OL3
- 991 • 994 • BD5 • OL4

LED

- 24L • 16L • 12L

CCT - Color Temperature (K)

- 27(00) • 30(00) • 35(00)
- 40(00) • 50(00)

Type

- T2 • T3 • T4 • T5

Driver

- MDLO18¹ (120V-277V, 180mA)
- MDHO18¹ (347V-480V, 180mA)
- MDLO14 (120V-277V, 140mA)
- MDHO14 (347V-480V, 140mA)
- MDLO08² (120V-277V, 80mA)
- MDHO08² (347V-480V, 80mA)

¹ 24L system only.

² 12L system only.

Lens

- A (Acrylic) • P (Polycarbonate)

Options (Click here to view accessories sheet)

- R7³ 7-Pin control receptacle only
- PE⁴ Twist-Lock Photocontrol (120V-277V)
- PE4⁴ Twist-Lock Photocontrol (347V-480V)
- SC² Shorting Cap
- PEC Electronic Button Photocontrol (120V-277V)
- PEC4 Electronic Button Photocontrol (480V)

- FHD⁵ Double Fuse and Holder
- GFI 15A Duplex GFI for Utility Fitter
- TB³ Terminal Block
- HSS House Side Shield
- BLOC Back Light Optical Control

³ For 900 series utility fitter only.

⁴ Requires control receptacle.

⁵ Ships loose for installation in base.

Arm (Click here to link to arm specification page)

See Arms & Wall Brackets specification sheets.

- 50 • 80 • 6236 • TASC
- 478 • 480 • 579 • BA
- 70 • 55 • TA

Pole (Click here to link to pole specification page)

See Pole specification sheets.

Finish (Click here to view paint finish sheet)

Standard Finishes⁶

- BKT Black Textured
- WHT White Textured
- PGT Park Green Textured
- ABZT Architectural Medium Bronze Textured
- DBT Dark Bronze Textured

⁶ Smooth finishes are available upon request

Custom Finishes⁷

- CM Custom Match
 - OI Old Iron
 - RT Rust
 - WBR Weathered Brown
 - CD Cedar
 - WBK Weathered Black
 - TT Two Tone
- ⁷ Custom colors require upcharge.
- #### Sternberg Select Finishes
- VG Verde Green
 - SI Swedish Iron
 - OWGT Old World Gray Textured

Specifications

Fixture

The luminaire shall feature a fully cast aluminum decorative cage surrounding the acorn. The cage shall consist of 16 Victorian panels

on the ring and 4 slender "Y" shaped supports. The luminaire shall be appointed with a cast aluminum decorative torch finial. The luminaire shall be U.L. listed in U.S. and Canada.

Fitter - Standard

The fitter shall be heavy wall cast aluminum, 356 alloy for high tensile strength. It shall have an 8-1/2" inside diameter opening to attach to the 8" neck of the acorn globe. When ordered with a Sternberg aluminum pole, the fitter shall be welded to the pole top or tenon for safety and to ensure the fixture will be plumb, secure and level over the life of the installation. The fitter shall have a one-piece ring bug gasket to resist insect penetration into lamp assembly.

900 Series Utility Fitter Option

The fitter shall be heavy wall cast aluminum, 360 die cast alloy for high tensile strength. It shall have a 9-1/4" inside diameter opening to attach to the 8" neck of the acorn globe. It shall have a hinged, tool-less entry door that provides open access to all of the components. The 900 series shall have an optional terminal block for ease of wiring, an optional Twist-Lock Photocontrol receptacle, an optional single GFCI outlet for auxiliary power needs. The top mounted driver mounting plate shall be cast aluminum and provide tool-less removal from the housing using 2 finger latches. The fitter shall have a one-piece ring gasket to resist insect penetration into globe assembly. When supplied with GFCI receptacle a hole will be provided for cord and plug installation with the access door closed. When cord and plug is not in use a filler plug will be provided and shall be tethered to the fitter for easy recovery and installation.

LED's

The luminaire shall use high output, high brightness LED's. They shall be mounted in arrays, on printed circuit boards designed to maximize heat transfer to the heat sink surface. The arrays shall be roof mounted to minimize up-light. The LED's and printed circuit boards shall be 100% recyclable; they shall

See next page

also be protected from moisture and corrosion by a conformal coating of 1 to 3 mils. They shall not contain lead, mercury or any other hazardous substances and shall be RoHS compliant. The LED life rating data shall be determined in accordance with IESNA LM-80. The High Performance white LED's will have a life expectancy of approximately 100,000 hours with not less than 70% of original brightness (lumen maintenance), rated at 25°C. The High Brightness, High Output LED's shall be 5000K (4500K, 3000K, 3500K or 2700K option) color temperature with a minimum CRI of 70. Consult factory for custom color CCT. The luminaire shall have a minimum _____ (see table) delivered initial lumen rating when operated at steady state with an average ambient temperature of 25°C (77°F).

Optics

The luminaire shall be provided with individual, acrylic, refractor type optics applied to each LED. The luminaire shall provide Type _____ (2, 3, 4 & 5) light distribution per the IESNA classifications. Testing shall be done in accordance with IESNA LM-79.

BLOC Optic: An optional "Back Light Optical Control" shield can be provided at the factory.

This is an internal optic level "House Side Shield" offering significantly reduced back-light and glare while maintaining the original design aesthetics of the luminaire.

Electronic Drivers

The LED driver shall be U.L. Recognized. It shall be securely mounted inside the fixture, for optimized performance and longevity. It shall be supplied with a quick-disconnect electrical connector on the power supply, providing easy power connections and fixture installation. It shall have overload as well as short circuit protection, and have a DC voltage output, constant current design, 50/60HZ. It shall be supplied with line-ground, line-neutral and neutral-ground electrical surge protection in accordance with IEEE/ANSI C62.41.2 guidelines. It shall be dimmable using a 0-10V signal.

For sources over 50w: The driver shall have a minimum efficiency of 90%. The driver shall be rated at full load with THD<20% and a power factor of greater than 0.90. The driver shall contain over-heat protection.

For sources under 50w: The driver shall have a minimum efficiency of 88%.

Photocontrols

Button Style: On a single assembly the photocontrol shall be mounted on the fixture and pre-wired to driver. On multiple head assembly's the photocontrol shall be mounted in the pole shaft on an access plate. The electronic button type photocontrol is instant on with a 5-10 second turn off, and shall turn on at 1.5 footcandles with a turn-off at 2-3 footcandles. Photocontrol is 120-277 volt and warranted for 6 years.

Twist-Lock Style: The photocontrol shall be mounted in the utility fitter and pre-wired to driver. The twist lock type photocontrol is instant on with a 3-6 second turn off, and shall turn on at 1.5 footcandles with a turn-off at 2-3 footcandles. Photocontrol is 120-277 volt and warranted for 6 years.

Warranty

Seven-year limited warranty. See product and finish warranty guide for details.

Finish

Refer to website for details.

Performance

MODEL #	T2 DELIVERED LUMENS	EFFICACY (LPW)	T3 DELIVERED LUMENS	EFFICACY (LPW)	T4 DELIVERED LUMENS	EFFICACY (LPW)	T5 DELIVERED LUMENS	EFFICACY (LPW)	WATTAGE
24L40T_-MDL018	9470	78.9	9465	78.9	9750	81.3	10225	85.2	120
24L30T_-MDL018	9030	75.3	9025	75.2	9295	77.5	9750	81.3	120
24L27T_-MDL018	8165	68.0	8160	68.0	8405	70.0	8815	73.5	120
24L40T_-MDL014	7720	85.8	7720	85.8	8025	89.2	8425	93.6	90
24L30T_-MDL014	7360	81.8	7360	81.8	7650	85.0	8035	89.3	90
24L27T_-MDL014	6655	73.9	6655	73.9	6920	76.9	7265	80.7	90
16L40T_-MDL014	5220	85.6	5145	84.3	5450	89.3	5675	93.0	61
16L30T_-MDL014	4975	81.6	4905	80.4	5195	85.2	5410	88.7	61
16L27T_-MDL014	4500	73.8	4435	72.7	4700	77.0	4890	80.2	61
12L40T_-MDL014	3930	83.6	3910	83.2	4085	86.9	4270	90.9	47
12L30T_-MDL014	3745	79.7	3730	79.4	3895	82.9	4070	86.6	47
12L27T_-MDL014	3390	72.1	3370	71.7	3520	74.9	3680	78.3	47
12L40T_-MDL008	2415	89.4	2400	88.9	2510	93.0	2635	97.6	27
12L30T_-MDL008	2305	85.4	2290	84.8	2395	88.7	2510	93.0	27
12L27T_-MDL008	2080	77.0	2070	76.7	2165	80.2	2270	84.1	27

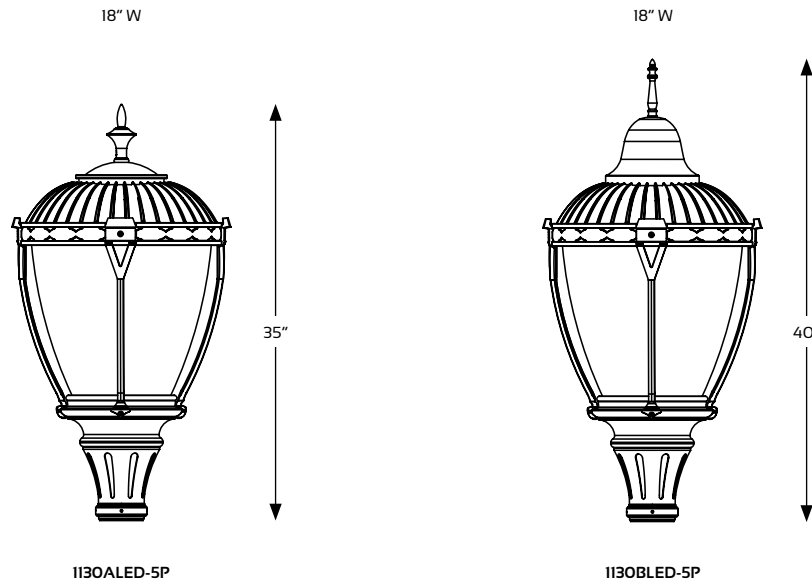


SternbergLighting

ESTABLISHED 1923

800-621-3376
555 Lawrence Ave., Roselle, IL 60172
contactus@sternberglighting.com
www.sternberglighting.com

Fixtures



Fitters

10-1/8" W
10-3/8" H



5P
Fits 3" OD
x 3" tall
tenon/pole

10-1/8" W
10-1/8" H



BD4
Fits 4" OD
x 5" tall
tenon/pole

10-1/8" W
10-1/4" H



BD5
Fits 5" OD
x 6" tall
tenon/pole

10-1/8" W
11-3/4" H



BD7
Fits 7" OD
x 1" tall
tenon/pole

10" W
3-1/4" H



C2097
Fits 7" OD
x 1" tall
tenon/pole

10-1/2" W
15-3/4" H



990
Fits 3" OD
x 3" tall
tenon/pole
994
Fits 4" OD
x 3" tall
tenon/pole

10-1/2" W
13-1/8" H



991
Fits 3" OD
x 3" tall
tenon/pole

10-1/2" W
13-1/8" H



992
Fits 3" OD
x 3" tall
tenon/pole

10-1/2" W
15-3/4" H



993
Fits 3" OD
x 3" tall
tenon/pole
995
Fits 4" OD
x 3" tall
tenon/pole

10-1/2" W
11-3/8" H



OL3
Fits 3" OD
x 3" tall
tenon/pole
OL4
Fits 4" OD
x 3" tall
tenon/pole



SternbergLighting

ESTABLISHED 1923

800-621-3376
555 Lawrence Ave., Roselle, IL 60172
contactus@sternberglighting.com
www.sternberglighting.com