



V210-XRLED VENICE SERIES

LED

EPA
1.18 (ft²)
WEIGHT
25 LBS

5 YEAR
WARRANTY

LUMEN
RANGE
1,525 to
3,895

LIFE SPAN
L70
MINIMUM
50,000
HOURS

UL
LISTED

CLICK
FOR FAQ'S

JOB NAME _____

FIXTURE TYPE _____

MEMO _____

BUILD A PART NUMBER

ORDERING EXAMPLE: **2A-V210-XRLED-9L45T5-MDL07-CA-FHD-HSS/78PM/3810FP4/FCC/BKT**

Mounting Config.	Fixture	LED	CCT	Type	Driver	Lens	Option Control	Option Fuse	Option Chimney	Option House Side Shield	Arm See Arm Spec Sheets	Pole See Pole Spec Sheets	Finish

Mounting Configuration

(Click here to view mounting configuration sheet)

- 1W • 2A • 3A90 • 1AM • 28PB
- PT • 2A90 • 3APT • 2AM
- 1A • 2APT • 4A • CH28¹
- 1APT • 3A • 4APT • SH28¹

W = Wall Mount PT = Post Top A = Arm Mount AM = Arm Mid-Mount PB = Pier Base SH = Stem Hung CH = Chain Hung

¹ Include Stem/Chain length in inches after designation (IE: CH44-36").

Fixture

- V210

LED

- XRLED-9L

CCT - Color Temperature (K)

- 27(00) • 35(00) • 45(00)

Type

- T2 • T3 • T4 • T5

Driver

- MDL07 (120v-277v, 700Ma)
- MDL14 (120v-277v, 1400Ma)
- MDH07 (347v-480v, 700Ma)
- MDH14 (347v-480v, 1400Ma)

Lens

- A (Acrylic)
- CSA (Clear Seeded Acrylic)
- WA (White Acrylic)

Options (Click here to view accessories sheet)

- PEC Electronic Button Photocontrol (120v-277v)
- PEC4 Electronic Button Photocontrol (480v)
- FHD² Double Fuse and Holder
- FMC Frosted Mission Chimney
- HSS House Side Shield

² Ships loose for installation in base.

Arm (Click here to view arm website page)

See Arms & Wall Brackets specification sheets.

- 78 • 80 • 55 • TA

Pole (Click here to view pole website page)

See Pole specification sheets.

Finish (Click here to view paint finish sheet)

Standard Finishes³

- BKT Black Textured
- WHT White Textured
- PGT Park Green Textured
- ABZT Architectural Medium Bronze Textured
- DBT Dark Bronze Textured

³ Smooth finishes are available upon request.

Custom Finishes⁴

- CM Custom Match
- OI Old Iron
- RT Rust
- WBR Weathered Brown
- CD Cedar
- WBK Weathered Black
- TT Two Tone

⁴ Custom colors require upcharge.

Sternberg Select Finishes

- VG Verde Green
- SI Swedish Iron
- OWGT Old World Gray Textured

Specifications

Fixture

The fixture shall be 14-1/8" diameter and 27-3/4" tall. It shall be made of heavy wall cast aluminum. The V210 is the small scale fixture in the Venice series. The luminaire shall be UL listed in US and Canada.

LEDs

The luminaire shall use high output, high brightness LED's. They shall be mounted in arrays, on printed circuit boards designed to maximize heat transfer to the heat sink surface. The arrays shall be downward facing to minimize up-light. The LED's and printed circuit boards shall be 100% recyclable; they shall also be protected from moisture and corrosion by a conformal coating of 1 to 3 mils. They shall not contain lead, mercury or any other hazardous substances and shall be RoHS compliant. The LED life rating data shall be

determined in accordance with IESNA LM-80. The High Performance white LED's will have a life expectancy of approximately 50,000 hours with not less than 70% of original brightness (lumen maintenance), rated at 25°C. The High Brightness, High Output LED's shall be 4500K (3500K or 2700K option) color temperature with a minimum CCT. The luminaire shall have a minimum _____ (see table) delivered initial lumen rating when operated at steady state with an average ambient temperature of 25°C (77°F).

Optics

The luminaire shall be provided with individual, refractor type optics applied to each LED. The luminaire shall provide Type ____ (2, 3, 4 or 5) light distribution per the IESNA classifications. Testing shall be done in accordance with IESNA LM-79.

Electronic Driver

The LED driver shall be U.L. Recognized. It shall be remotely mounted in the field, arm, pole or base depending on the selected options. It shall be supplied with a quick-disconnect electrical connector on the power supply, providing easy power connections and fixture installation. It shall have overload as well as short circuit protection, and have a DC voltage output, constant current design, 50/60HZ. It shall be supplied with line-ground, line-neutral and neutral-ground electrical surge protection in accordance with IEEE/ANSI C62.41.2 guidelines. It shall be dimmable using a 0-10v signal. The driver shall have a minimum efficiency of 88%.

Photocontrols

Button Style: The photocontrol shall be mounted in the pole shaft on an access plate. The electronic button type photocontrol is instant on with a 5-10 second turn off, and shall turn on at 1.5 footcandles with a turn-off at 2-3 footcandles. Photocontrol is 120-277 volt and warranted for 6 years.

See next page

V210-XRLED VENICE SERIES

LED

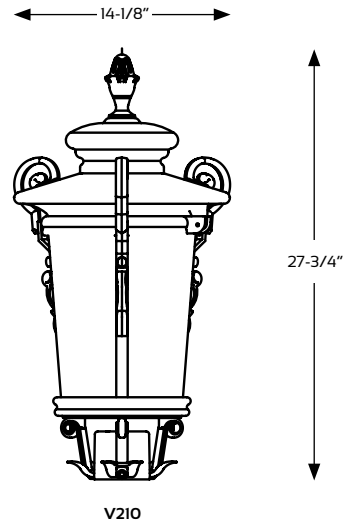
Warranty

Five-year limited warranty. See product and finish warranty guide for details.

Finish

Refer to website for details.

Fixtures



Performance

LIGHT SOURCE	T2 DELIVERED LUMENS	EFFICACY (LPW)	T3 DELIVERED LUMENS	EFFICACY (LPW)	T4 DELIVERED LUMENS	EFFICACY (LPW)	T5 DELIVERED LUMENS	EFFICACY (LPW)	WATTAGE
09L27T_-MDL14	2840	61.8	2770	60.3	2725	59.3	3080	67.0	46
09L35T_-MDL14	3345	72.8	3265	71.0	3205	69.8	3625	78.8	46
09L45T_-MDL14	3595	78.2	3510	76.3	3450	75.0	3895	84.8	46
09L27T_-MDL07	1590	72.4	1525	69.3	1525	69.5	1720	78.2	22
09L35T_-MDL07	1870	85.2	1795	81.6	1800	81.8	2025	92.1	22
09L45T_-MDL07	2015	91.6	1930	87.7	1935	88.0	2175	99.0	22



SternbergLighting

ESTABLISHED 1923 / EMPLOYEE OWNED

800-621-3376
555 Lawrence Ave., Roselle, IL 60172
info@sternberglighting.com
www.sternberglighting.com

11/17 STERNBERG LIGHTING. ALL RIGHTS RESERVED. PRINTED IN THE USA.