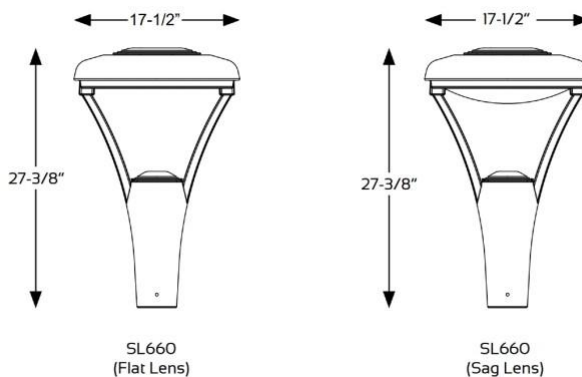


Project Name _____ Qty _____

Type _____ Catalog / Part Number _____



CCT - Color Temperature (K)



7 Year Warranty



IP Rating



Certifications



Description

The Solana™ Post Top Luminaire's modern geometric design complements a diverse assortment of contemporary architectural settings. It's urbanesque yoke design offers not only aesthetic beauty, durability and optical efficiency, but takes street, area, and medium mount lighting to another level. The Medium Solana™ SL660 is well suited for all site and pedestrian environments.

EPA: .9 (ft²)
WEIGHT: 29 LBS

Features

Mounting Configuration	1W: Wall Mount	PT: Post Top
	1A: 1 Arm Mount	1APT: 1 Arm & Post Top
	2A: 2 Arm Mount @ 180°	2A90: 2 Arm Mount @ 90°
	2APT: 2 Arm @ 180° & Post Top	3A: 3 Arms @ 120°
	3A90: 3 Arms @ 90°	3APT: 3 Arm @ 120 & Post Top
	4A: 4 Arms @ 90°	4APT: 4 Arm @ 90 & Post Top
	1AM: 1 Arm Mid-Mount	2AM: 2 Arm Mid-Mount @ 180

Optional Control Receptacle	R7: 7-Pin control receptacle only
Optional Control	PE: Twist-Lock Photocontrol (120V-277V) PE4: Twist-Lock Photocontrol (347V-480V) SC: Shorting Cap PEC: Electronic Button Photocontrol (120V-277V) PEC4: Electronic Button Photocontrol (480V)
Optional Fuse	FHD: Double Fuse and Holder
Optional House Side Shield	HSS: 120° House Side Shield BLOC: Back Light Optical Control
Optional Fixed Dimming Resistor Board	FDRB: Fixed Dimming Resistor Board

Physical

Fixture **SL660:** SL660

Lens	CA: Clear Acrylic FG: Flat Glass SA: Sag Acrylic FFG: Frosted Flat Glass SV1: Flat Soft Vue Light Diffused Acrylic SV2: Flat Soft Vue Moderate Diffused Acrylic SV4: Flat Soft Vue Maximum Diffused Acrylic SV1SA: Soft Vue Light Diffused Sag Acrylic SV2SA: Soft Vue Moderate Diffused Sag Acrylic SV4SA: Soft Vue Maximum Diffused Sag Acrylic
-------------	--

Finish	UGMT: Urban Gun Metal Textured UB: Urban Bronze Matte USL: Urban Silver Matte UWH: Urban White Matte CM: Custom Match	UGM: Urban Gun Metal Matte UBT: Urban Bronze Textured USLT: Urban Silver Textured UWHT: Urban White Textured BKT: Black Textured
---------------	--	---

Light Source

LED	24L: 24 LEDs	12L: 12 LEDs
CCT - Color Temperature (K)	27: 2,700K 35: 3,500K 50: 5,000K	30: 3,000K 40: 4,000K
Distribution Type	T2: Type 2 T4: Type 4	T3: Type 3 T5: Type 5

Electrical and control

Driver	MDL018: 120V-277V, 180mA MDL014: 120V-277V, 140mA MDL008: 120V-277V, 80mA	MDH018: 347V-480V, 180mA MDH014: 347V-480V, 140mA MDH008: 347V-480V, 80mA
---------------	--	--

Optional Motion Sensor	MOT1: 360° lens, maximum coverage 40' diameter from 20' height MOT2: 360° lens, maximum coverage 70' diameter from 20' height
-------------------------------	--

Specifications

Serviceability	Tool-less access to the driver compartment allows for trouble free servicing of the LED Driver and Surge Suppressor.
Fitter	The fitter shall be heavy wall cast aluminum for high tensile strength. It includes 4 stainless steel Allen-head set screws for attachment to a pole/tenon, and shall slip fit a 3" OD x 3" tall tenon.
Comfortable Optics	SoftVue™ lens provides optimal visual comfort
UL Listing	UL listed per UL1598 for Wet Locations and CSA 22.2 No. 250.0 for the US and Canada.
Electronic Driver	The LED driver shall be securely mounted inside the fixture, for optimized performance and longevity and shall be U.L. Recognized. It shall be supplied with a quick-disconnect electrical connector on the power supply, providing easy power connections and fixture installation. It shall have overload, overheat and short circuit protection, and have a DC voltage output, constant current design, 50/60HZ. It shall be supplied with line-ground, line-neutral and neutral-ground electrical surge protection in accordance with IEEE/ANSI C62.41.2 guidelines. It shall be a high efficiency driver with a THD less than 20% and a high power factor greater than .9. It shall be dimming capable using a 0-10v signal, consult factory for more information.
NightSky® Friendly	Night-Sky Compliant with a U0 BUG rating
IP Rating	IP66 rated
Finish	6 Stage Polyester Powdercoat paint system.
Urban Finish	Urban paint finishes are available in Sternberg Lighting's Urbanline products and create a modern, elegant aesthetic. Finishes are available in textured or matte
Warranty	7-year limited warranty (See Website for Terms and Conditions.)
LEDs	<p>The luminaire shall use high output, high brightness LEDs. The LEDs are mounted to maximize thermal transfer to the heat sink surface. The LEDs shall be 100% recyclable; not contain lead, mercury or any other hazardous substances and shall be RoHS compliant. Lumen maintenance shall be determined in accordance with IESNA TM-21, based on LED manufacturer LM-80 test data of no less than 6,000 hours and in-situ testing of the luminaire by an NVLAP accredited Energy Efficient Lighting Products lab. The high-performance white LEDs will have a predicted lumen depreciation of approximately 100,000 hours with greater than 70% of initial output at 25°C. The high-brightness, high-output white LEDs shall be 4000K nominal (2700K, 3000K, 3500K or 5000K optional) correlated color temperature (CCT) with a 70 (minimum) color rendering index (CRI). Consult factory for custom CCT or CRI. The luminaire shall have a minimum _____ (see table) delivered initial lumens when operated at steady state with an average ambient temperature of 25°C (77°F).</p> <p>CCT Lumen Derate Values from 4,000K</p> <p>2,700K (70+ CRI)=.92 3,000K (70+ CRI)=.95 3,500K (70+ CRI)=.97 5,000K (70+ CRI)=1.00</p>
Optics	The luminaire shall be provided with individual, refractor type optics applied to each LED. The luminaire shall provide Type ____ (2, 3, 4 or 5) light distribution per the IESNA classifications. Testing shall be done in accordance with IESNA LM-79.
Backlight Optical Control	<p>BLOC Optic (BLOC): An optional "Back Light Optical Control" shield can be provided at the factory. This is an internal optic level "House Side Shield" offering significantly reduced backlight and glare while maintaining the original design aesthetics of the luminaire.</p> <p>External House Side Shield (HSS): An optional external 120° House Side Shield helps control backlight. Spun aluminum panel painted to match fixture.</p>
FDRB	10-step field adjustable dimming board. Includes step dimming options from 25%-100%. The unit is conformal coated and UL recognized for use in damp locations.
Motion Sensor	The programmable passive infrared motion sensor is installed integral to the fixture. 2 coverage area lenses available; assuming a 20' mounting height a lens with 40' coverage (MOT1) and 70' coverage (MOT2) is available. Sensor includes Dusk/Dawn light sensor for ambient light levels. Custom pre-set programming options can be set at the factory. Optional wireless programming controller available for field reprogramming (FSIR-100).

Photocontrols

Button Style: The photocontrol shall be mounted on the fixture and pre-wired to driver. The electronic button type photocontrol is instant on with a 5-10 second turn off, and shall turn on at 1.5 footcandles with a turn-off at 2-3 footcandles. See pole spec sheet for pole mounted version.

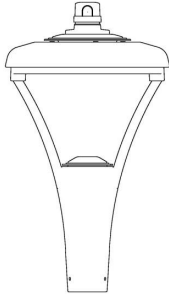
Twist-Lock Style (Roof Mount): The photocontrol shall be mounted on the roof and prewired to driver. The twist lock type photocontrol is instant on with a 3-6 second turn off, and shall turn on at 1.5 footcandles with a turnoff at 2-3 footcandles. Photocontrol is 120-277 volt.

Lumen Chart(s)

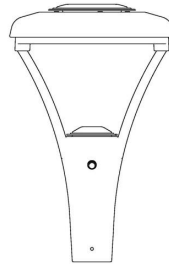
Tested with CA lens

Model #	T2 DELIVERED LUMENS	BUG	EFFICACY (LPW)	T3 DELIVERED LUMENS	BUG	EFFICACY (LPW)	T4 DELIVERED LUMENS	BUG	EFFICACY (LPW)	T5 DELIVERED LUMENS	BUG	EFFICACY (LPW)	WATTAGE
24L40T_-MDL018	11390	B2U0G2	96.5	11500	B2U0G2	97.5	11130	B2U0G2	94.3	11515	B3U0G1	97.6	118
24L30T_-MDL018	10860	B2U0G2	92.0	10965	B2U0G2	92.9	10610	B2U0G2	89.9	10980	B3U0G1	93.1	118
24L27T_-MDL018	9820	B2U0G2	83.2	9915	B2U0G2	84.0	9595	B2U0G2	81.3	9925	B3U0G1	84.1	118
24L40T_-MDL014	9230	B2U0G2	104.9	9320	B2U0G2	105.9	9020	B2U0G2	102.5	9335	B3U0G1	106.1	88
24L30T_-MDL014	8800	B2U0G2	100.0	8885	B2U0G2	101.0	8600	B2U0G2	97.7	8900	B3U0G1	101.1	88
24L27T_-MDL014	7955	B2U0G2	90.4	8035	B2U0G2	91.3	7775	B2U0G2	88.4	8045	B3U0G1	91.4	88
12L40T_-MDL018	5880	B1U0G1	98.0	5950	B1U0G1	99.2	5685	B1U0G1	94.8	5770	B2U0G1	96.2	60
12L30T_-MDL018	5605	B1U0G1	93.4	5675	B1U0G1	94.6	5420	B1U0G1	90.3	5500	B2U0G1	91.7	60
12L27T_-MDL018	5070	B1U0G1	84.5	5130	B1U0G1	85.5	4900	B1U0G1	81.7	4975	B2U0G1	82.9	60
12L40T_-MDL014	4800	B1U0G1	104.3	4860	B1U0G1	105.7	4645	B1U0G1	101.0	4735	B2U0G1	102.9	46
12L30T_-MDL014	4575	B1U0G1	99.5	4635	B1U0G1	100.8	4430	B1U0G1	96.3	4515	B2U0G1	98.2	46
12L27T_-MDL014	4140	B1U0G1	90.0	4190	B1U0G1	91.1	4005	B1U0G1	87.1	4080	B2U0G1	88.7	46
12L40T_-MDL008	2905	B1U0G1	107.6	2940	B1U0G1	108.9	2815	B1U0G1	104.3	2880	B1U0G0	106.7	27
12L30T_-MDL008	2770	B1U0G1	102.6	2805	B1U0G1	103.9	2685	B1U0G1	99.4	2745	B1U0G0	101.7	27
12L27T_-MDL008	2505	B1U0G1	92.8	2535	B1U0G1	93.9	2425	B1U0G1	89.8	2485	B1U0G0	92.0	27

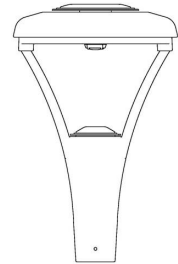
Options



7-Pin Control Receptacle with Photocell (**R7-PE/PE4**)



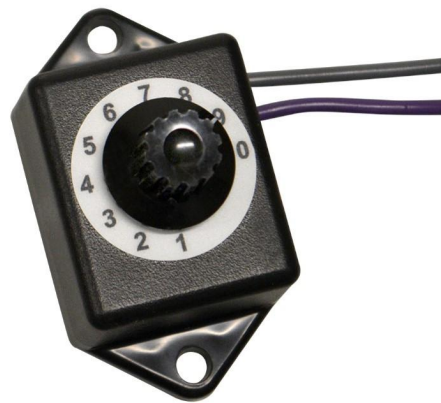
Button Photocell (**PEC/PEC4**)



Motion Sensor (**MOT1/MOT2**)



Double Fuse Holder & (2) 3A Fuses (**FHD**)



Fixed Dimming Resistor Board (**FDRB**)



House Side Shield (**HSS**)

How to order

Mounting Configuration	Fixture	LED	CCT - Color Temperature (K)	Distribution Type	Driver	Lens	
1W Wall Mount	SL660 SL660	24L 24 LEDs	27 2,700K	T2 Type 2	MDL018 120V-277V, 180mA	CA Clear Acrylic	
PT Post Top			30 3,000K	T3 Type 3		MDH018 347V-480V, 180mA	FG Flat Glass
1A 1 Arm Mount		12L 12 LEDs	35 3,500K	T4 Type 4	MDL014 120V-277V, 140mA	SA Sag Acrylic	
1APT 1 Arm & Post Top			40 4,000K	T5 Type 5		MDH014 347V-480V, 140mA	FFG Frosted Flat Glass
2A 2 Arm Mount @ 180°			50 5,000K				MDL008 120V-277V, 80mA ⁽¹⁾
2A90 2 Arm Mount @ 90°					MDH008 347V-480V, 80mA ⁽¹⁾	SV2 Flat Soft Vue Moderate Diffused Acrylic	
2APT 2 Arm @ 180° & Post Top						SV4 Flat Soft Vue Maximum Diffused Acrylic	
3A 3 Arms @ 120°						SV1SA Soft Vue Light Diffused Sag Acrylic	
3A90 3 Arms @ 90°						SV2SA Soft Vue Moderate Diffused Sag Acrylic	
3APT 3 Arm @ 120 & Post Top						SV4SA Soft Vue Maximum Diffused Sag Acrylic	
4A 4 Arms @ 90°							
4APT 4 Arm @ 90 & Post Top							
1AM 1 Arm Mid-Mount							
2AM 2 Arm Mid-Mount @ 180							

Notes:
1. 12L system only.

How to order

Optional Control Receptacle ^{(2) (3)}	Optional Control	Optional Motion Sensor ⁽³⁾ <small>(5) (6) (7) (8)</small>	Optional Fuse ⁽⁹⁾	Optional House Side Shield ⁽¹⁰⁾	Optional Fixed Dimming Resistor Board ^{(2) (6)}	Finish
R7 7-Pin control receptacle only	PE Twist-Lock Photocontrol (120V-277V) ⁽⁴⁾ PE4 Twist-Lock Photocontrol (347V-480V) ⁽⁴⁾ SC Shorting Cap ⁽⁴⁾ PEC Electronic Button Photocontrol (120V-277V) PEC4 Electronic Button Photocontrol (480V)	MOT1 360° lens, maximum coverage 40" diameter from 20" height MOT2 360° lens, maximum coverage 70" diameter from 20" height	FHD Double Fuse and Holder	HSS 120° House Side Shield BLOC Back Light Optical Control	FDRB Fixed Dimming Resistor Board	UGMT Urban Gun Metal Textured UGM Urban Gun Metal Matte UBT Urban Bronze Textured UB Urban Bronze Matte USLT Urban Silver Textured USL Urban Silver Matte UWHT Urban White Textured UWH Urban White Matte BKT Black Textured CM Custom Match ^{(11) (12)}

Notes:

- 2. Not for use with Motion Sensor.
- 3. Not for use with FDRB.
- 4. Requires control receptacle.
- 5. Requires FLAT acrylic lens.
- 6. Not for use with R7.
- 7. For use with MDLxx driver only.

- 8. Not for use with Button Photocell.
- 9. Ships loose for installation in base.
- 10. Not for use with TS optic.
- 11. Smooth finishes are available upon request.
- 12. Custom colors require upcharge.