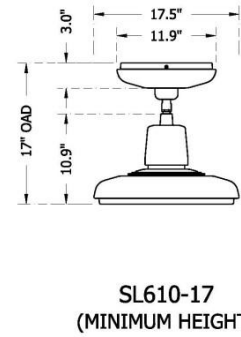
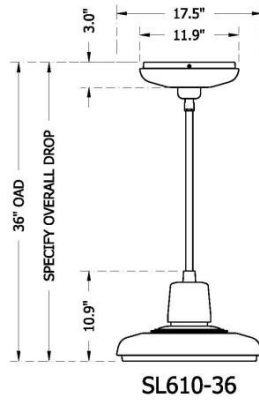
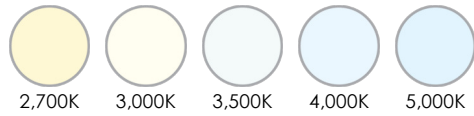


Project Name _____ Qty _____

Type _____ Catalog / Part Number _____



CCT - Color Temperature (K)



7 Year Warranty



IP Rating



Certifications



Description

The Solana™ SL610 Stem Mount Luminaire is canopy mounted via Stem. Optical performance is enhanced with several distributions for nearly any project application and its slick design gives an aesthetic enhancement to exterior or interior projects where ceiling mounting is needed.

EPA: .9 (ft²)

WEIGHT: 30 LBS

Features

Mounting Configuration	SM: Stem Mount
Optional Control	PEC: Electronic Button Photocontrol (120V-277V) PEC4: Electronic Button Photocontrol (480V)
Optional Fuse	FHD: Double Fuse and Holder
Optional House Side Shield	HSS: 120° House Side Shield BLOC: Back Light Optical Control
Optional Fixed Dimming Resistor Board	FDRB: Fixed Dimming Resistor Board

Physical

Fixture	SL610: SL610
Lens	CA: Clear Acrylic FG: Flat Glass SA: Sag Acrylic FFG: Frosted Flat Glass SV1: Flat Soft Vue Light Diffused Acrylic SV2: Flat Soft Vue Moderate Diffused Acrylic SV4: Flat Soft Vue Maximum Diffused Acrylic SV1SA: Soft Vue Light Diffused Sag Acrylic SV2SA: Soft Vue Moderate Diffused Sag Acrylic SV4SA: Soft Vue Maximum Diffused Sag Acrylic

Finish	UGMT: Urban Gun Metal Textured	UGM: Urban Gun Metal Matte
	UB: Urban Bronze Matte	UBT: Urban Bronze Textured
	USL: Urban Silver Matte	USLT: Urban Silver Textured
	UWH: Urban White Matte	UWHT: Urban White Textured
	CM: Custom Match	BKT: Black Textured

Light Source

LED	24L: 24 LEDs	12L: 12 LEDs
CCT - Color Temperature (K)	27: 2,700K	30: 3,000K
	35: 3,500K	40: 4,000K
	50: 5,000K	
Distribution Type	T2: Type 2	T3: Type 3
	T4: Type 4	T5: Type 5

Electrical and control

Driver	MDL018: 120V-277V, 180mA	MDH018: 347V-480V, 180mA
	MDL014: 120V-277V, 140mA	MDH014: 347V-480V, 140mA
	MDL008: 120V-277V, 80mA	MDH008: 347V-480V, 80mA
Optional Motion Sensor	MOT1: 360° lens, maximum coverage 40' diameter from 20' height	
	MOT2: 360° lens, maximum coverage 70' diameter from 20' height	

Specifications

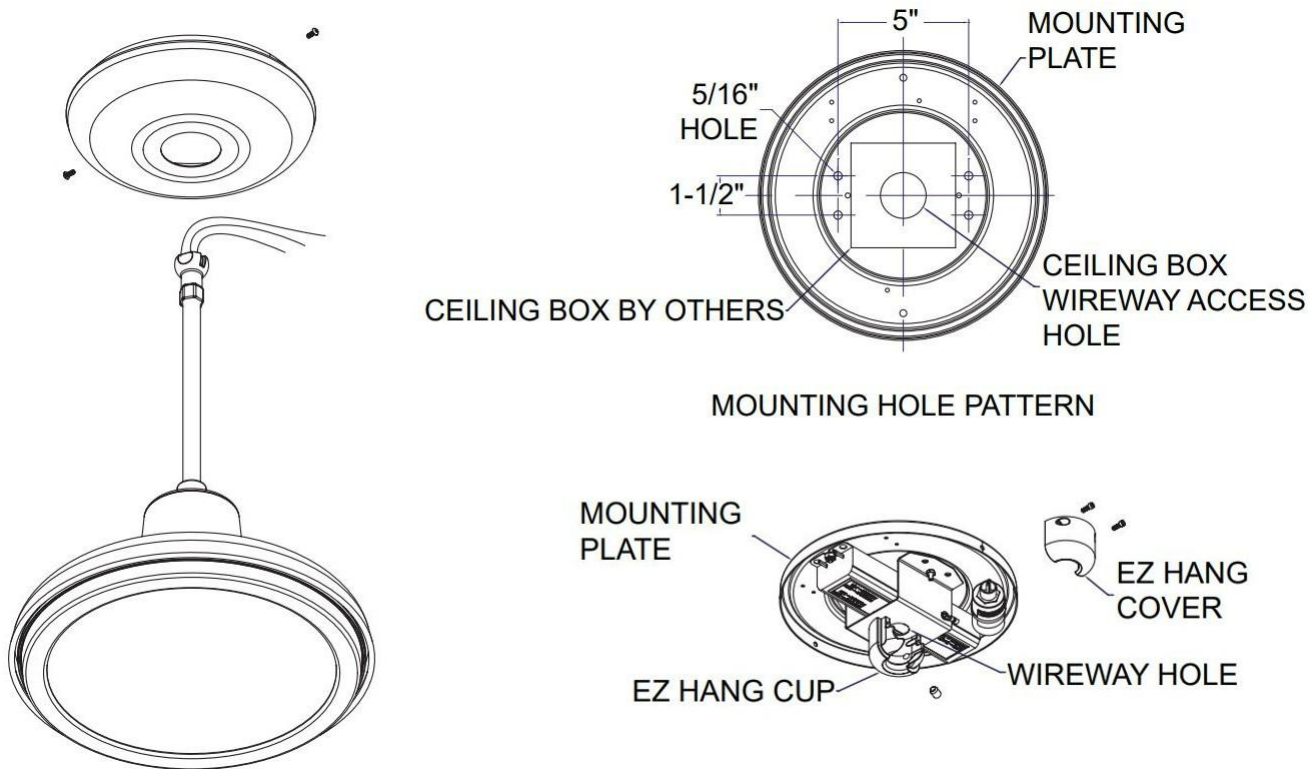
Comfortable Optics	SoftVue™ lens provides optimal visual comfort
UL Listing	UL listed per UL1598 for Wet Locations and CSA 22.2 No. 250.0 for the US and Canada.
Electronic Driver	The LED driver shall be securely mounted inside the fixture, for optimized performance and longevity and shall be U.L. Recognized. It shall be supplied with a quick-disconnect electrical connector on the power supply, providing easy power connections and fixture installation. It shall have overload, overheat and short circuit protection, and have a DC voltage output, constant current design, 50/60HZ. It shall be supplied with line-ground, line-neutral and neutral-ground electrical surge protection in accordance with IEEE/ANSI C62.41.2 guidelines. It shall be a high efficiency driver with a THD less than 20% and a high power factor greater than .9. It shall be dimming capable using a 0-10v signal, consult factory for more information.
NightSky® Friendly	Night-Sky Compliant with a U0 BUG rating
IP Rating	IP66 rated
Finish	6 Stage Polyester Powdercoat paint system.
Urban Finish	Urban paint finishes are available in Sternberg Lighting's Urbanline products and create a modern, elegant aesthetic. Finishes are available in textured or matte
Warranty	7-year limited warranty (See Website for Terms and Conditions.)
LEDs	The luminaire shall use high output, high brightness LEDs. The LEDs are mounted to maximize thermal transfer to the heat sink surface. The LEDs shall be 100% recyclable; not contain lead, mercury or any other hazardous substances and shall be RoHS compliant. Lumen maintenance shall be determined in accordance with IESNA TM-21, based on LED manufacturer LM-80 test data of no less than 6,000 hours and in-situ testing of the luminaire by an NVLAP accredited Energy Efficient Lighting Products lab. The high-performance white LEDs will have a predicted lumen depreciation of approximately 100,000 hours with greater than 70% of initial output at 25°C. The high-brightness, high-output white LEDs shall be 4000K nominal (2700K, 3000K, 3500K or 5000K optional) correlated color temperature (CCT) with a 70 (minimum) color rendering index (CRI). Consult factory for custom CCT or CRI. The luminaire shall have a minimum _____ (see table) delivered initial lumens when operated at steady state with an average ambient temperature of 25°C (77°F). CCT Lumen Derate Values from 4,000K 2,700K (70+ CRI)=.92 3,000K (70+ CRI)=.95 3,500K (70+ CRI)=.97 5,000K (70+ CRI)=1.00
Optics	The luminaire shall be provided with individual, refractor type optics applied to each LED. The luminaire shall provide Type ____ (2, 3, 4 or 5) light distribution per the IESNA classifications. Testing shall be done in accordance with IESNA LM-79.
Backlight Optical Control	BLOC Optic (BLOC): An optional "Back Light Optical Control" shield can be provided at the factory. This is an internal optic level "House Side Shield" offering significantly reduced backlight and glare while maintaining the original design aesthetics of the luminaire. External House Side Shield (HSS): An optional external 120° House Side Shield helps control backlight. Spun aluminum panel painted to match fixture.
FDRB	10-step field adjustable dimming board. Includes step dimming options from 25%-100%. The unit is conformal coated and UL recognized for use in damp locations.
Motion Sensor	The programmable passive infrared motion sensor is installed integral to the fixture. 2 coverage area lenses available; assuming a 20' mounting height a lens with 40' coverage (MOT1) and 70' coverage (MOT2) is available. Sensor includes Dusk/Dawn light sensor for ambient light levels. Custom pre-set programming options can be set at the factory. Optional wireless programming controller available for field reprogramming (FSIR-100).
Photocontrols	Button Style: The photocontrol shall be mounted on the fixture and pre-wired to driver. The electronic button type photocontrol is instant on with a 5-10 second turn off, and shall turn on at 1.5 footcandles with a turn-off at 2-3 footcandles. See pole spec sheet for pole mounted version.

Lumen Chart(s)

Tested with CA lens

Model #	T2 DELIVERED LUMENS	BUG	EFFICACY (LPW)	T3 DELIVERED LUMENS	BUG	EFFICACY (LPW)	T4 DELIVERED LUMENS	BUG	EFFICACY (LPW)	T5 DELIVERED LUMENS	BUG	EFFICACY (LPW)	WATTAGE
24L40T_-MDL018	13815	B2U0G2	117.1	13895	B2U0G2	117.8	13345	13345	113.1	14020	B3U0G1	118.8	118
24L30T_-MDL018	13170	B2U0G2	111.6	13250	B2U0G2	112.3	12725	13345	107.8	13365	B3U0G1	113.3	118
24L27T_-MDL018	11910	B2U0G2	100.9	11980	B2U0G2	101.5	11505	13345	97.5	12085	B3U0G1	102.4	118
24L40T_-MDL014	11105	B2U0G2	126.2	11190	B2U0G2	127.2	10720	10220	121.8	11270	B3U0G1	128.1	88
24L30T_-MDL014	10590	B2U0G2	120.3	10670	B2U0G2	121.3	10220	10220	116.1	10745	B3U0G1	122.1	88
24L27T_-MDL014	9575	B2U0G2	108.8	9645	B2U0G2	109.6	9240	10220	105.0	9715	B3U0G1	110.4	88
12L40T_-MDL018	6905	B1U0G1	115.1	6945	B1U0G1	115.8	6635	6325	110.6	6985	B2U0G1	116.4	60
12L30T_-MDL018	6585	B1U0G1	109.8	6620	B1U0G1	110.3	6325	6325	105.4	6660	B2U0G1	111.0	60
12L27T_-MDL018	5955	B1U0G1	99.3	5985	B1U0G1	99.8	5720	6325	95.3	6020	B2U0G1	100.3	60
12L40T_-MDL014	5635	B1U0G1	122.5	5640	B1U0G1	122.6	5400	5150	117.4	5690	B2U0G1	123.7	46
12L30T_-MDL014	5375	B1U0G1	116.8	5375	B1U0G1	116.8	5150	5150	112.0	5425	B2U0G1	117.9	46
12L27T_-MDL014	4860	B1U0G1	105.7	4860	B1U0G1	105.7	4655	5150	101.2	4905	B2U0G1	106.6	46
12L40T_-MDL008	3405	B1U0G1	126.1	3425	B1U0G1	126.9	3270	3270	121.1	3440	B1U0G0	127.4	27
12L30T_-MDL008	3245	B1U0G1	120.2	3265	B1U0G1	120.9	3120	3270	115.6	3280	B1U0G0	121.5	27
12L27T_-MDL008	2935	B1U0G1	108.7	2955	B1U0G1	109.4	2820	3270	104.4	2965	B1U0G0	109.8	27

Mounting Details





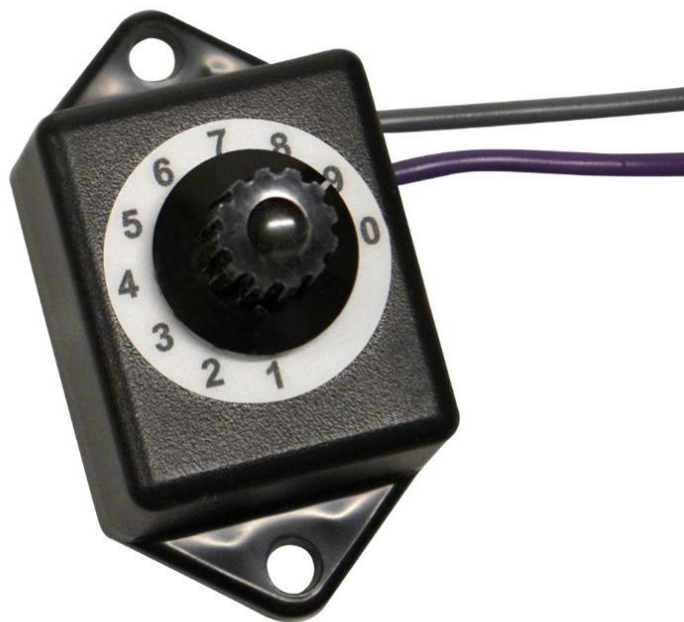
Buttton Photocell (**PEC/PEC4**)



Motion Sensor (**MOT1/MOT2**)



House Side Shield (**HSS**)



Fixed Dimming Resistor Board (**FDRB**)

How to order

Mounting Configuration	Drop Length (In Inches)	Fixture	LED	CCT - Color Temperature (K)	Distribution Type	Driver	Lens
SM Stem Mount		SL610 SL610	24L 24 LEDs	27 2,700K	T2 Type 2	MDL018 120V-277V, 180mA	CA Clear Acrylic
				30 3,000K	T3 Type 3	MDH018 347V-480V, 180mA	FG Flat Glass
				35 3,500K	T4 Type 4	MDL014 120V-277V, 140mA	SA Sag Acrylic
				40 4,000K	T5 Type 5	MDH014 347V-480V, 140mA	FFG Frosted Flat Glass
				50 5,000K		MDL008 120V-277V, 80mA ⁽¹⁾	SV1 Flat Soft Vue Light Diffused Acrylic
					MDH008 347V-480V, 80mA ⁽¹⁾	SV2 Flat Soft Vue Moderate Diffused Acrylic	
						SV4 Flat Soft Vue Maximum Diffused Acrylic	
						SV1SA Soft Vue Light Diffused Sag Acrylic	
						SV2SA Soft Vue Moderate Diffused Sag Acrylic	
						SV4SA Soft Vue Maximum Diffused Sag Acrylic	

Notes:
1. 12L system only.

How to order

Optional Control	Optional Motion Sensor ⁽²⁾ ⁽³⁾ ⁽⁴⁾ ⁽⁵⁾	Optional Fuse ⁽⁶⁾	Optional House Side Shield ⁽⁷⁾	Optional Fixed Dimming Resistor Board ⁽⁸⁾	Finish
<p>PEC Electronic Button Photocontrol (120V-277V)</p> <p>PEC4 Electronic Button Photocontrol (480V)</p>	<p>MOT1 360° lens, maximum coverage 40" diameter from 20' height ⁽²⁾</p> <p>MOT2 360° lens, maximum coverage 70" diameter from 20' height ⁽²⁾</p>	<p>FHD Double Fuse and Holder</p>	<p>HSS 120° House Side Shield</p> <p>BLOC Back Light Optical Control</p>	<p>FDRB Fixed Dimming Resistor Board</p>	<p>UGMT Urban Gun Metal Textured</p> <p>UGM Urban Gun Metal Matte</p> <p>UBT Urban Bronze Textured</p> <p>UB Urban Bronze Matte</p> <p>USLT Urban Silver Textured</p> <p>USL Urban Silver Matte</p> <p>UWHT Urban White Textured</p> <p>UWH Urban White Matte</p> <p>BKT Black Textured</p> <p>CM Custom Match ⁽⁹⁾ ⁽¹⁰⁾</p>

Notes:

- 2. Requires FLAT acrylic lens.
- 3. For use with MDLxx driver only.
- 4. Not for use with Button PhotoCell.
- 5. Not for use with FDRB.
- 6. Ships loose for installation in base.

- 7. Not for use with T5 optic.
- 8. Not for use with Motion Sensor.
- 9. Smooth finishes are available upon request.
- 10. Custom colors require upcharge.