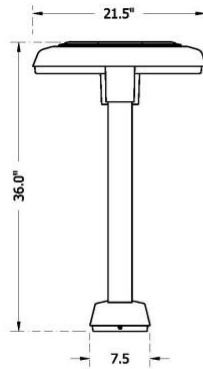
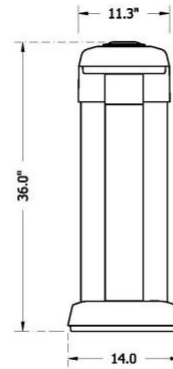


Project Name _____ Qty _____

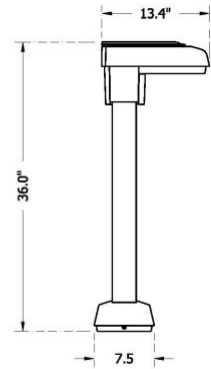
Type _____ Catalog / Part Number _____



SL302

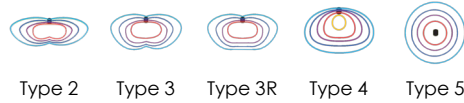


FRONT VIEW

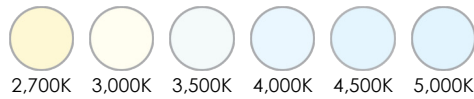


SL300

Distribution Type



CCT - Color Temp (K)



7 Year Warranty



IP Rating



Certifications



Description

The Solana™ SL30x Series Bollards are perfectly matched to the Solana™ pole, and wall mount product family. Curved lines and subtle shape give the Solana™ family the ability to bring harmony to contemporary projects. The unique single and double head designs offer a wide range of light distribution options and intensities that will fit any site or architecture.

EPA: (Assuming 3' height) 1.9 (ft²)

WEIGHT: (Assuming 3' height) SL300 = 40 LBS | SL302 = 47 LBS

Physical

Height (in feet)	3', 4', 5', 6', 7', 8'	
Series	SL300: Solana Bollard SL302: Solana Bollard	
Lens	FG: Flat Glass FFG: Frosted Flat Glass CA: Clear Acrylic	
Finish	UBT: Urban Bronze Textured USLT: Urban Silver Textured UWHT: Urban White Textured	UB: Urban Bronze Matte USL: Urban Silver Matte UWH: Urban White Matte

Light Source

LED	14L: 14 LEDs 56L: 56 LEDs	28L: 28 LEDs
CCT - Color Temp (K)	27: 2,700K 35: 3,500K 45: 4,500K	30: 3,000K 40: 4,000K 50: 5,000K
Distribution Type	T2: Type 2 T3: Type 3 T3R: Type 3R T4: Type 4 T5: Type 5	

Electrical and control

Driver	MDL02: 120V-277V, 200mA MDH03: 347V-480V, 300mA MDH05: 347V-480V, 525mA	MDL03: 120V-277V, 300mA MDL05: 120V-277V, 525mA
---------------	--	--

Features

Optional Control	PEC: Electronic Button Photocontrol (120V-277V) PEC4: Electronic Button Photocontrol (480V)
Optional Fuse	FHD: Double Fuse and Holder
Optional Fixed Dimming Resistor Board	FDRB: Fixed Dimming Resistor Board

Specifications

Installation	Four 1/2" diameter, hot-dipped galvanized "L" type anchor bolts shall be provided with the post for anchorage, they shall be mounted in a 3-7/8" bolt circle, square pattern. A door shall be provided for wiring and anchor bolt access. It shall be secured with stainless steel hardware. Post will be provided with a grounding stud mounted on the base floor opposite the access door.
Comfortable Optics	SoftVue™ lens provides optimal visual comfort
UL Listing	UL listed per UL1598 for Wet Locations and CSA 22.2 No. 250.0 for the US and Canada.
Electronic Driver	The LED driver shall be securely mounted inside the fixture, for optimized performance and longevity and shall be U.L. Recognized. It shall be supplied with a quick-disconnect electrical connector on the power supply, providing easy power connections and fixture installation. It shall have overload, overheat and short circuit protection, and have a DC voltage output, constant current design, 50/60HZ. It shall be supplied with line-ground, line-neutral and neutral-ground electrical surge protection in accordance with IEEE/ANSI C62.41.2 guidelines. It shall be a high efficiency driver with a THD less than 20% and a high power factor greater than .9. It shall be dimming capable using a 0-10v signal, consult factory for more information.
NightSky® Friendly	Dark sky compliant optics with a U0 BUG rating for specific configurations.
IP Rating	IP65 rated
Finish	6 Stage Polyester Powdercoat paint system.
Urban Finish	Urban paint finishes are available in Sternberg Lighting's Urbanline products and create a modern, elegant aesthetic. Finishes are available in textured or matte.
Warranty	7-year limited warranty (See Website for Terms and Conditions.)
LED's	The luminaire shall use high output, high brightness LEDs. The LEDs are mounted to maximize thermal transfer to the heat sink surface. The LEDs shall be 100% recyclable; not contain lead, mercury or any other hazardous substances and shall be RoHS compliant. Lumen maintenance shall be determined in accordance with IESNA TM-21, based on LED manufacturer LM-80 test data of no less than 6,000 hours and in-situ testing of the luminaire by an NVLAP accredited Energy Efficient Lighting Products lab. The high-performance white LEDs will have a predicted lumen depreciation of approximately 100,000 hours with greater than 70% of initial output at 25°C. The high-brightness, high-output white LEDs shall be 4500K nominal (2700K, 3000K, 3500K, 4000K or 5000K optional) correlated color temperature (CCT) with a 70 (minimum) color rendering index (CRI). Consult factory for custom CCT or CRI. The luminaire shall have a minimum _____ (see table) delivered initial lumens when operated at steady state with an average ambient temperature of 25°C (77°F). CCT Lumen Derate Values from 4,500K 2,700K (70+ CRI)=.78 3,000K (70+ CRI)=.83 3,500K (70+ CRI)=.89 4,000K (70+ CRI)=.95 5,000K (70+ CRI)=1.00
Optics	The luminaire shall be provided with individual, refractor type optics applied to each LED. The luminaire shall provide Type ____ (2, 3, 3R, 4 or 5) light distribution per the IESNA classifications. Testing shall be done in accordance with IESNA LM-79.

FDRB Optional 10-step field adjustable dimming board. Includes step dimming options from 25%-100%. The unit is conformal coated and UL recognized for use in damp locations.

Photocontrols **Button Photocell:** The photocontrol shall be mounted on the fixture and pre-wired to driver. The electronic button type photocontrol is instant on with a 5-10 second turn off, and shall turn on at 1.5 footcandles with a turn-off at 2-3 footcandles. See pole spec sheet for pole mounted version.

Lumen Chart(s)

Tested with FG lens

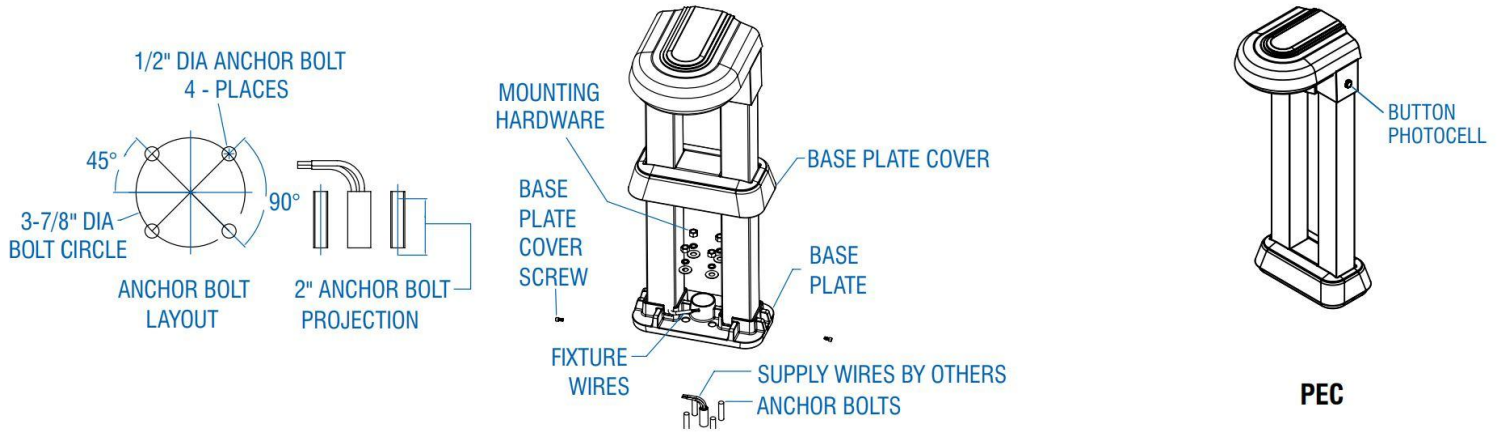
Model #	T2 DELIVERED LUMENS	BUG	EFFICACY (LPW)	T3 DELIVERED LUMENS	BUG	EFFICACY (LPW)	T3R DELIVERED LUMENS	BUG	EFFICACY (LPW)	T4 DELIVERED LUMENS	BUG	EFFICACY (LPW)	T5 DELIVERED LUMENS	BUG	EFFICACY (LPW)	WATTAGE
56L45T -MDL05	8570	B3U0G3	88.4	7805	B3U0G3	80.5	8210	B3U0G3	84.6	8100	B3U0G2	83.5	7125	B3U0G3	73.5	97
56L35T -MDL05	8050	B3U0G3	83.0	7330	B3U0G3	75.6	7710	B3U0G3	79.5	7605	B3U0G2	78.4	6690	B3U0G3	69.0	97
56L27T -MDL05	7065	B3U0G3	72.8	6435	B3U0G3	66.3	6770	B3U0G3	69.8	6675	B3U0G2	68.8	5875	B3U0G3	60.6	97
56L45T -MDL03	6185	B3U0G3	96.6	5610	B2U0G2	87.7	5900	B3U0G3	92.2	5820	B3U0G1	90.9	5130	B2U0G2	80.2	64
56L35T -MDL03	5810	B3U0G3	90.8	5270	B2U0G2	82.3	5540	B3U0G3	86.6	5465	B3U0G1	85.4	4820	B2U0G2	75.3	64
56L27T -MDL03	5100	B3U0G3	79.7	4625	B2U0G2	72.3	4865	B3U0G3	76.0	4800	B3U0G1	75.0	4230	B2U0G2	66.1	64
28L45T -MDL05	4440	B2U0G2	88.8	4020	B2U0G2	80.4	4295	B2U0G2	85.9	4345	B3U0G1	86.9	3630	B2U0G2	72.6	50
28L35T -MDL05	4170	B2U0G2	83.4	3775	B2U0G2	75.5	4035	B2U0G2	80.7	4080	B3U0G1	81.6	3410	B2U0G2	68.2	50
28L27T -MDL05	3660	B2U0G2	73.2	3315	B2U0G2	66.3	3540	B2U0G2	70.8	3580	B3U0G1	71.6	2990	B2U0G2	59.8	50
28L45T -MDL03	3155	B2U0G2	92.8	2850	B2U0G2	83.8	3045	B2U0G2	89.6	3080	B2U0G1	90.6	2660	B1U0G1	78.2	34
28L35T -MDL03	2965	B2U0G2	87.2	2675	B2U0G2	78.7	2860	B2U0G2	84.1	2895	B2U0G1	85.1	2500	B1U0G1	73.5	34
28L27T -MDL03	2600	B2U0G2	76.5	2350	B2U0G2	69.1	2510	B2U0G2	73.8	2540	B2U0G1	74.7	2195	B1U0G1	64.6	34
28L45T -MDL02	1870	B1U0G1	98.4	1695	B1U0G1	89.2	1815	B1U0G1	95.5	1830	B1U0G1	96.3	1500	B1U0G1	78.9	19
28L35T -MDL02	1755	B1U0G1	92.4	1590	B1U0G1	83.7	1705	B1U0G1	89.7	1720	B1U0G1	90.5	1410	B1U0G1	74.2	19
28L27T -MDL02	1540	B1U0G1	81.1	1395	B1U0G1	73.4	1495	B1U0G1	78.7	1510	B1U0G1	79.5	1235	B1U0G1	65.0	19

SL302 Bollard

Model #	T2 DELIVERED LUMENS	BUG	EFFICACY (LPW)	T3 DELIVERED LUMENS	BUG	EFFICACY (LPW)	T3R DELIVERED LUMENS	BUG	EFFICACY (LPW)	T4 DELIVERED LUMENS	BUG	EFFICACY (LPW)	T5 DELIVERED LUMENS	BUG	EFFICACY (LPW)	WATTAGE
28L45T -MDL05	4390	B1U0G1	89.6	3985	B1U0G1	81.3	4215	B1U0G1	86.0	4130	B1U0G1	84.3	3615	B1U0G1	73.8	49
28L35T -MDL05	4125	B1U0G1	84.2	3745	B1U0G1	76.4	3960	B1U0G1	80.8	3880	B1U0G1	79.2	3395	B1U0G1	69.3	49
28L27T -MDL05	3620	B1U0G1	73.9	3285	B1U0G1	67.0	3475	B1U0G1	70.9	3405	B1U0G1	69.5	2980	B1U0G1	60.8	49
28L45T -MDL03	3250	B1U0G1	98.5	2860	B1U0G1	86.7	3020	B1U0G1	91.5	2960	B1U0G1	89.7	2720	B1U0G1	82.4	33
28L35T -MDL03	3050	B1U0G1	92.4	2685	B1U0G1	81.4	2835	B1U0G1	85.9	2780	B1U0G1	84.2	2555	B1U0G1	77.4	33
28L27T -MDL03	2680	B1U0G1	81.2	2360	B1U0G1	71.5	2490	B1U0G1	75.5	2440	B1U0G1	73.9	2240	B1U0G1	67.9	33
14L45T -MDL05	2255	B1U0G1	86.7	2055	B1U0G1	79.0	2215	B0U0G1	85.2	2225	B1U0G1	85.6	1840	B1U0G1	70.8	26
14L35T -MDL05	2120	B1U0G1	81.5	1930	B1U0G1	74.2	2080	B0U0G1	80.0	2090	B1U0G1	80.4	1730	B1U0G1	66.5	26
14L27T -MDL05	1860	B1U0G1	71.5	1695	B1U0G1	65.2	1825	B0U0G1	70.2	1835	B1U0G1	70.6	1515	B1U0G1	58.3	26
14L45T -MDL03	1665	B1U0G1	92.5	1465	B0U0G1	81.4	1580	B0U0G0	87.8	1590	B0U0G1	88.3	1355	B0U0G1	75.3	18
14L35T -MDL03	1565	B1U0G1	86.9	1375	B0U0G1	76.4	1485	B0U0G0	82.5	1495	B0U0G1	83.1	1275	B0U0G1	70.8	18
14L27T -MDL03	1375	B1U0G1	76.4	1210	B0U0G1	67.2	1300	B0U0G0	72.2	1310	B0U0G1	72.8	1115	B0U0G1	61.9	18

SL300 Bollard

Other Features



How to Order

Height (in feet)	Series	LED	CCT - Color Temp (K)	Distribution Type	Driver	Lens	Optional Control	Optional Fuse	Optional Fixed Dimming Resistor Board	Finish	
03 3'	SL300 Solana Bollard	14L 14 LEDs ⁽¹⁾	27 2,700K	T2 Type 2	MDL02 120V-277V, 200mA ⁽³⁾	FG Flat Glass	PEC Electronic Button Photocontrol (120V-277V)	FHD Double Fuse and Holder	FDRB Fixed Dimming Resistor Board	UBT Urban Bronze Textured	
04 4'			30 3,000K	T3 Type 3							
05 5'		28L 28 LEDs	35 3,500K	T3R Type 3R	MDL03 120V-277V, 300mA	FFG Frosted Flat Glass	PEC4 Electronic Button Photocontrol (480V)				USLT Urban Silver Textured
06 6'			40 4,000K	T4 Type 4							
07 7'		56L 56 LEDs ⁽²⁾	45 4,500K	T5 Type 5	MDH03 347V-480V, 300mA	CA Clear Acrylic	USL Urban Silver Matte				
08 8'			50 5,000K								MDL05 120V-277V, 525mA
						MDH05 347V-480V, 525mA	UWH Urban White Matte				

Notes:

- 1. For use with SL300 only.
- 2. For use with SL302 only.

- 3. For 28L distribution type only.