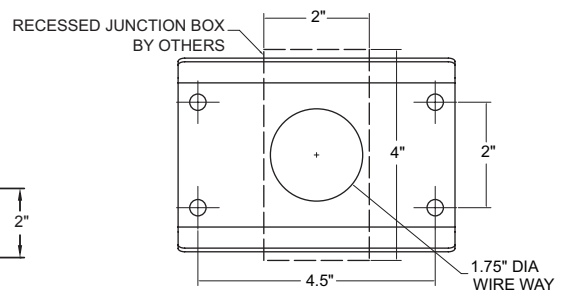
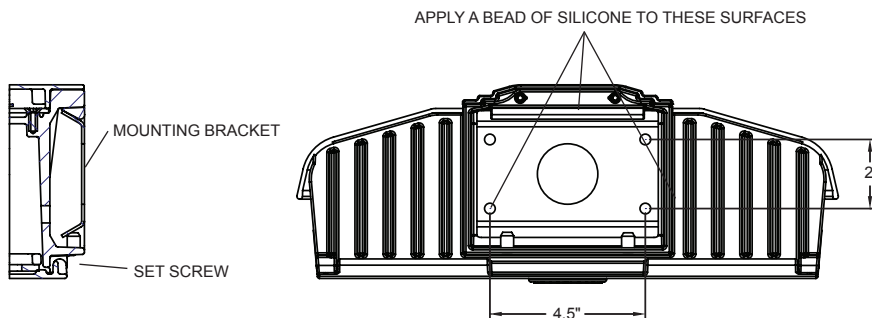
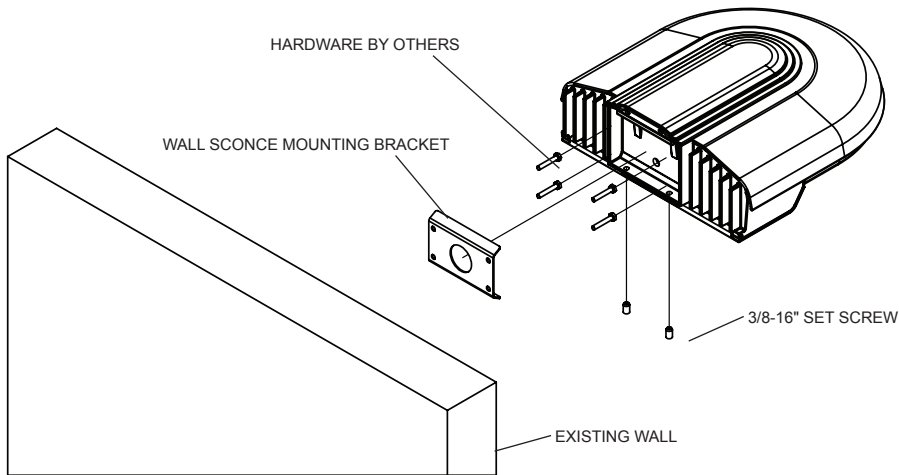


SOLANA®

SL270 WALL SCONCE INSTALLATION INSTRUCTIONS

WARNING: TO AVOID FIRE, SHOCK OR DEATH, TURN OFF AND LOCKOUT POWER BEFORE PERFORMING ANY MAINTENANCE.

CAUTION: THIS FIXTURE MUST BE WIRED IN ACCORDANCE WITH THE NATIONAL ELECTRIC CODE AND ALL APPLICABLE LOCAL CODES. PROPER GROUNDING IS REQUIRED. ALL WORK SHOULD BE DONE BY A QUALIFIED ELECTRICIAN.



MOUNTING BRACKET
USE WITH 2" X 4" RECESSED JUNCTION BOX
MAY NOT WORK WITH A 4" X 4" BOX

STEP 1

Locate and attach mounting bracket to wall (see mounting hole pattern) with bolts and washers. (Hardware by others)

STEP 2

Attach supply wires to fixture wires.

STEP 3

Apply a bead of silicone to back surface of fixture, the three surfaces as shown.

STEP 4

Attach fixture to mounting bracket with set screws.



SternbergLighting

ESTABLISHED 1923 / EMPLOYEE OWNED

800-621-3376
555 Lawrence Ave., Roselle, IL 60172
info@sternberglighting.com
www.sternberglighting.com