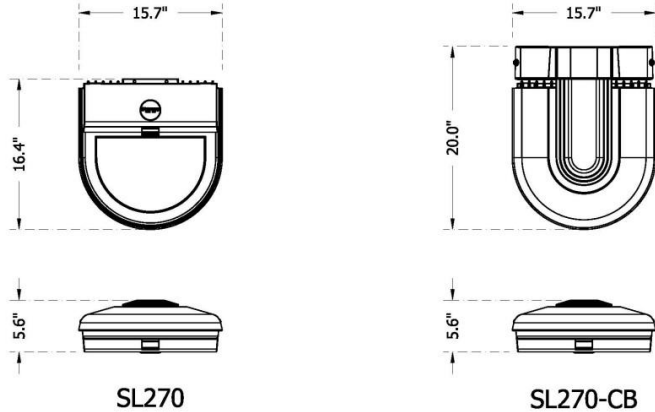


Project Name _____ Qty _____

Type _____ Catalog / Part Number _____



CCT - Color Temperature (K)



7 Year Warranty



IP Rating



Certifications



Description

The Solana™ Wall Mount Sconce is the perfect innovative solution to the myriad of lighting challenges when choosing wall mount sconces. The Solana's modern architectural design, durability and optical efficiency, makes this an obvious choice for perimeter lighting.

EPA: .4 (ft²) WEIGHT: 30 LBS

Features

Mounting Configuration	1W: Wall Mount
Optional Control	PEC: Electronic Button Photocontrol (120V-277V) PEC4: Electronic Button Photocontrol (480V)
Optional Fuse	FHD: Double Fuse and Holder
Optional Fixed Dimming Resistor Board	FDRB: Fixed Dimming Resistor Board

Physical

Series	SL270: Solana Wall Mount Sconce	
Lens	CA: Clear Acrylic FG: Flat Glass FFG: Frosted Flat Glass SV1: Flat Soft Vue Light Diffused Acrylic SV2: Flat Soft Vue Moderate Diffused Acrylic	
Finish	UGMT: Urban Gun Metal Textured UB: Urban Bronze Matte USL: Urban Silver Matte UWH: Urban White Matte	UGM: Urban Gun Metal Matte UBT: Urban Bronze Textured USLT: Urban Silver Textured UWHT: Urban White Textured BKT: Black Textured

Light Source

LED	36L: 36 LEDs 52L: 52 LEDs	44L: 44 LEDs
------------	--------------------------------------------	---------------------

CCT - Color Temperature (K)	27: 2,700K	30: 3,000K
	35: 3,500K	40: 4,000K
	45: 4,500K	50: 5,000K
Distribution Type	T2: Type 2	T3: Type 3
	T3R: Type 3R	T4: Type 4
	T5: Type 5	

Electrical and control

Driver	MDL03: 120V-277V, 300mA	MDH03: 347V-480V, 300mA
	MDL05: 120V-277V, 525mA	MDH05: 347V-480V, 525mA
Optional Motion Sensor	MOT1: 360° lens, maximum coverage 40' diameter from 20' height	
	MOT2: 360° lens, maximum coverage 70' diameter from 20' height	
Optional Conduit Box	CB: Conduit Box	
Optional Emergency	EM: Emergency	

Specifications

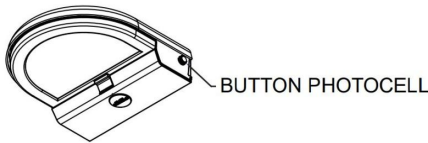
Serviceability	Tool-less access to the driver compartment allows for trouble free servicing of the LED Driver and Surge Suppressor.
Comfortable Optics	SoftVue™ lens provides optimal visual comfort
UL Listing	UL listed per UL1598 for Wet Locations and CSA 22.2 No. 250.0 for the US and Canada.
Electronic Driver	The LED driver shall be securely mounted inside the fixture, for optimized performance and longevity and shall be U.L. Recognized. It shall be supplied with a quick-disconnect electrical connector on the power supply, providing easy power connections and fixture installation. It shall have overload, overheat and short circuit protection, and have a DC voltage output, constant current design, 50/60HZ. It shall be supplied with line-ground, line-neutral and neutral-ground electrical surge protection in accordance with IEEE/ANSI C62.41.2 guidelines. It shall be a high efficiency driver with a THD less than 20% and a high power factor greater than .9. It shall be dimming capable using a 0-10v signal, consult factory for more information.
NightSky® Friendly	Night-Sky Compliant with a U0 BUG rating
IP Rating	IP65 rated
Finish	6 Stage Polyester Powdercoat paint system.
Urban Finish	Urban paint finishes are available in Sternberg Lighting's Urbanline products and create a modern, elegant aesthetic. Finishes are available in textured or matte
Warranty	7-year limited warranty (See Website for Terms and Conditions.)
LED's	The luminaire shall use high output, high brightness LEDs. The LEDs are mounted to maximize thermal transfer to the heat sink surface. The LEDs shall be 100% recyclable; not contain lead, mercury or any other hazardous substances and shall be RoHS compliant. Lumen maintenance shall be determined in accordance with IESNA TM-21, based on LED manufacturer LM-80 test data of no less than 6,000 hours and in-situ testing of the luminaire by an NVLAP accredited Energy Efficient Lighting Products lab. The high-performance white LEDs will have a predicted lumen depreciation of approximately 100,000 hours with greater than 70% of initial output at 25°C. The high-brightness, high-output white LEDs shall be 4500K nominal (2700K, 3000K, 3500K, 4000K or 5000K optional) correlated color temperature (CCT) with a 70 (minimum) color rendering index (CRI). Consult factory for custom CCT or CRI. The luminaire shall have a minimum _____ (see table) delivered initial lumens when operated at steady state with an average ambient temperature of 25°C (77°F). CCT Lumen Derate Values from 4,000K 2,700K (70+ CRI)=.78 3,000K (70+ CRI)=.83 3,500K (70+ CRI)=.89 4,000K (70+ CRI)=.95 5,000K (70+ CRI)=1.00
Optics	The luminaire shall be provided with individual, refractor type optics applied to each LED. The luminaire shall provide Type ____ (2, 3, 3R, 4 or 5) light distribution per the IESNA classifications. Testing shall be done in accordance with IESNA LM-79.
FDRB	10-step field adjustable dimming board. Includes step dimming options from 25%-100%. The unit is conformal coated and UL recognized for use in damp locations.
Motion Sensor	The programmable passive infrared motion sensor is installed integral to the fixture. 2 coverage area lenses available; assuming a 20' mounting height a lens with 40' coverage (MOT1) and 70' coverage (MOT2) is available. Sensor includes Dusk/Dawn light sensor for ambient light levels. Custom pre-set programming options can be set at the factory. Optional wireless programming controller available for field reprogramming (FSIR-100).
Emergency Battery Backup	Optional integral Bodine BSL722 Cold-Pak LED emergency battery backup system. Offers up to 23w of output for 90 minutes and Includes external test switch.
Photocontrols	Button Style: The photocontrol shall be mounted on the fixture and pre-wired to driver. The electronic button type photocontrol is instant on with a 5-10 second turn off, and shall turn on at 1.5 footcandles with a turn-off at 2-3 footcandles. See pole spec sheet for pole mounted version.

Lumen Chart(s)

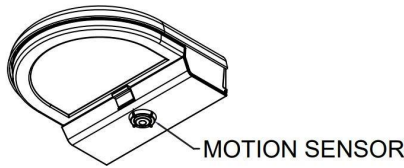
Tested with FG lens

Model #	T2 DELIVERED LUMENS	BUG	EFFICACY (LPW)	T3 DELIVERED LUMENS	BUG	EFFICACY (LPW)	T3R DELIVERED LUMENS	BUG	EFFICACY (LPW)	T4 DELIVERED LUMENS	BUG	EFFICACY (LPW)	T5 DELIVERED LUMENS	BUG	EFFICACY (LPW)	WATTAGE
52L45T -MDL05	7540	B2U0G2	82.9	7200	B2U0G2	79.1	7355	B2U0G2	80.8	7285	B2U0G2	80.1	7165	B3U0G3	78.7	91
52L35T -MDL05	7080	B2U0G2	77.8	6760	B2U0G2	74.3	6910	B2U0G2	75.9	6840	B2U0G2	75.2	6730	B3U0G3	74.0	91
52L27T -MDL05	6215	B2U0G2	68.3	5935	B2U0G2	65.2	6065	B2U0G2	66.6	6005	B2U0G2	66.0	5905	B3U0G3	64.9	91
44L45T -MDL05	6390	B2U0G2	81.9	6080	B2U0G2	77.9	6230	B2U0G2	79.9	6170	B1U0G2	79.1	6035	B2U0G2	77.4	78
44L35T -MDL05	6000	B2U0G2	76.9	5710	B2U0G2	73.2	5850	B2U0G2	75.0	5795	B1U0G2	74.3	5670	B2U0G2	72.7	78
44L27T -MDL05	5265	B2U0G2	67.5	5010	B2U0G2	64.2	5135	B2U0G2	65.8	5085	B1U0G2	65.2	4975	B2U0G2	63.8	78
52L45T -MDL03	5525	B2U0G2	90.6	5310	B2U0G2	87.0	5435	B2U0G2	89.1	5375	B1U0G2	88.1	5275	B2U0G2	86.5	61
52L35T -MDL03	5190	B2U0G2	85.1	4985	B2U0G2	81.7	5105	B2U0G2	83.7	5050	B1U0G2	82.8	4955	B2U0G2	81.2	61
52L27T -MDL03	4555	B2U0G2	74.7	4375	B2U0G2	71.7	4480	B2U0G2	73.4	4430	B1U0G2	72.6	4350	B2U0G2	71.3	61
44L45T -MDL03	4680	B2U0G2	90.0	4480	B2U0G2	86.2	4590	B2U0G2	88.3	4570	B1U0G2	87.9	4425	B2U0G2	85.1	52
44L35T -MDL03	4395	B2U0G2	84.5	4210	B2U0G2	81.0	4310	B2U0G2	82.9	4290	B1U0G2	82.5	4155	B2U0G2	79.9	52
44L27T -MDL03	3860	B2U0G2	74.2	3695	B2U0G2	71.1	3785	B2U0G2	72.8	3765	B1U0G2	72.4	3650	B2U0G2	70.2	52
36L45T -MDL03	3875	B1U0G1	90.1	3740	B1U0G1	87.0	3800	B1U0G1	88.4	3795	B1U0G1	88.3	3785	B2U0G2	88.0	43
36L35T -MDL03	3640	B1U0G1	84.7	3515	B1U0G1	81.7	3570	B1U0G1	83.0	3565	B1U0G1	82.9	3555	B2U0G2	82.7	43
36L27T -MDL03	3195	B1U0G1	74.3	3085	B1U0G1	71.7	3130	B1U0G1	72.8	3130	B1U0G1	72.8	3120	B2U0G2	72.6	43

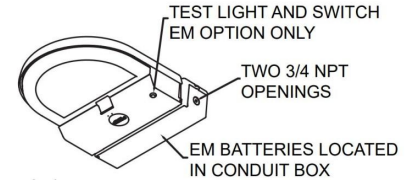
Options



Button Photocell (PEC/PEC4)

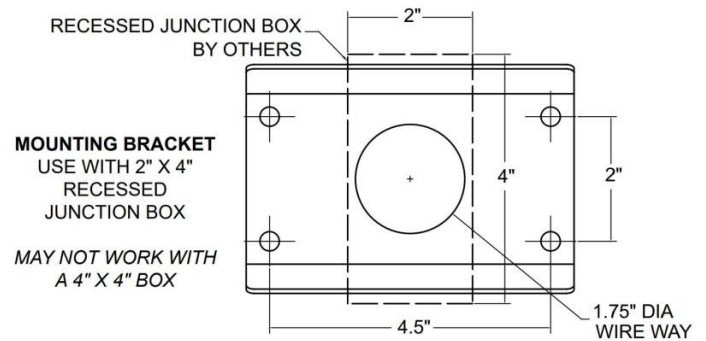
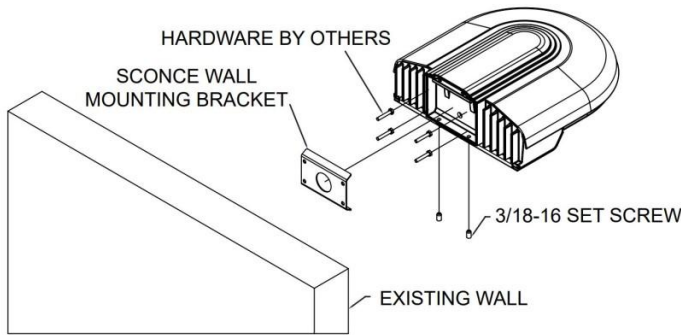


Motion Sensor (MOT1/MOT2)



Conduit Box and Emergency Battery Backup System (CB-EM)

Mounting Details



How to order

Mounting Configuration	Series	Lens	LED	CCT - Color Temperature (K)	Distribution Type	Driver
1W Wall Mount	SL270 Solana Wall Mount Sconce	CA Clear Acrylic	36L 36 LEDs	27 2,700K	T2 Type 2	MDL03 120V-277V, 300mA
		FG Flat Glass	44L 44 LEDs	30 3,000K	T3 Type 3	MDH03 347V-480V, 300mA
		FFG Frosted Flat Glass	52L 52 LEDs	35 3,500K	T3R Type 3R	MDL05 120V-277V, 525mA (1)
		SV1 Flat Soft Vue Light Diffused Acrylic		40 4,000K	T4 Type 4	MDH05 347V-480V, 525mA (1)
		SV2 Flat Soft Vue Moderate Diffused Acrylic		45 4,500K	T5 Type 5	
			50 5,000K			

Notes:
1. Not for use with 36L.

How to order

Optional Control	Optional Motion Sensor ⁽²⁾ ⁽³⁾ ⁽⁴⁾	Optional Fuse	Optional Conduit Box	Optional Emergency	Optional Fixed Dimming Resistor Board	Finish
PEC Electronic Button Photocontrol (120V-277V) PEC4 Electronic Button Photocontrol (480V)	MOT1 360° lens, maximum coverage 40' diameter from 20' height MOT2 360° lens, maximum coverage 70' diameter from 20' height	FHD Double Fuse and Holder	CB Conduit Box	EM Emergency ⁽⁵⁾	FDRB Fixed Dimming Resistor Board	UGMT Urban Gun Metal Textured UGM Urban Gun Metal Matte UBT Urban Bronze Textured UB Urban Bronze Matte USLT Urban Silver Textured USL Urban Silver Matte UWHT Urban White Textured UWH Urban White Matte BKT Black Textured

Notes:

- 2. Not for use with FDRB.
- 3. Not for use with Button Photocell.

- 4. For use with MDLxx driver only.
- 5. Requires conduit box (CB).