

# S540 SEVILLE SERIES

# SPECIFICATIONS

## GENERAL

The Seville S540 series is a medium scale, European styled Mediterranean Colonial fixture, featuring a tapered four-sided cage and roof. The four-paneled roof lantern shall be appointed with a decorative cast aluminum cupola and an optional finial.

## POST FITTER

When fixture is ordered for post mounting, the open base shall be attached to a heavy wall, cast aluminum post fitter.

## BALLAST HOUSING

The ballast shall be mounted in the roof of the fixture when the closed roof with refractor or frosted chimney option is chosen. The ballast can be mounted in a remote location or in the base of the pole, or when wall mounted in the optional ballast box compartment.

## ELECTRICAL

Fixture shall be U.L. or E.T.L. listed in U.S. and Canada. H.I.D. ballasts shall be high power factor with lamp starting down to -30 degrees C. Medium base and mogul base porcelain sockets are 4KV rated. The ballast/ socket assembly shall be pre-wired when ballast is located in the fixture. All compact fluorescent (PL) ballasts shall be instant start electronic with a starting temperature of down to 0 degrees F. They shall have a 4-pin socket to accept quad or triple tube lamps. Ballasts shall be DOE EISA compliant.

## FIXTURE HOUSING

The S540 fixture shall be 14" wide and the overall height shall be 28 1/4". It shall be made of heavy wall cast aluminum and lens shall be made of vandal resistant acrylic, available in clear acrylic (CA), clear seeded (CSA), clear textured (CTA), prismatic (PA) and white (WA) acrylic. When the four paneled open roof option is selected, it shall be lensed as well. The fixture shall have a four legged open base, be appointed with a cast aluminum round cupola and optional finial.

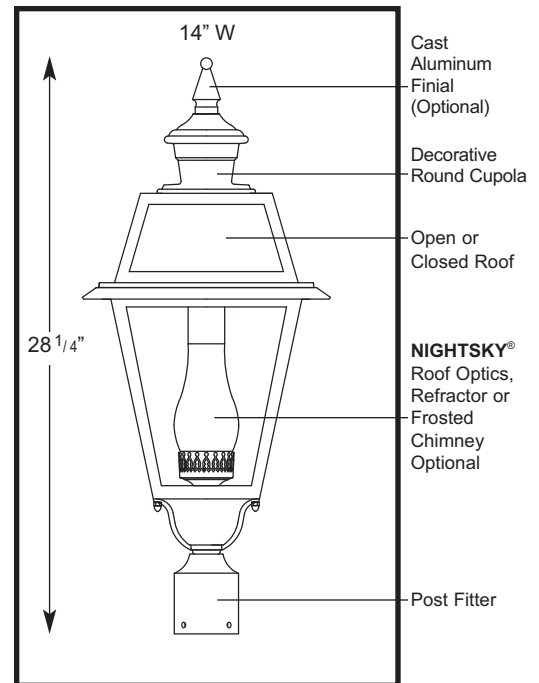
## OPTICAL OPTIONS

Refractors shall be 5" diameter borosilicate glass medium base with an I.E.S. Type 3 (RE3) or Type 5 (RE5) distribution. The refractor shall be conical shaped with a diameter of 5" on one end and 4 1/2" on the other. The glass refractor shall be 5" tall.

**NIGHTSKY® STAR-SHIELD® Roof Optics** (closed roof version only) distribution shall be delivered by roof mounted reflector systems which eliminate uplight and provide full cut-off. The reflector cavity shall be made of specular anodized aluminum. Roof Optics Horizontal; Type 3 (RO3) or Type 5 (RO5) are available for medium base lamps.

**Frosted Glass Hurricane Chimney (FHC)** is an optic option which adds an authentic touch and can be used with Roof Optics or to house a lamp.

**House Side Shield (HSS)** is an option which will block up to 120° of light in any one direction.

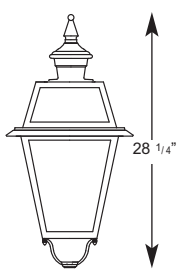
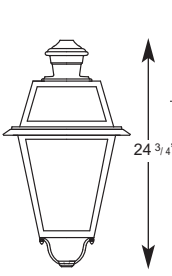
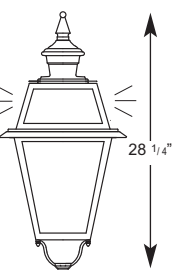
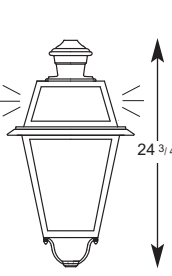

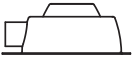
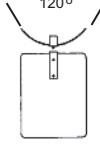






**EPA = 1.05 (ft<sup>2</sup>)**  
**WEIGHT = 21 LBS**

# S540 SEVILLE












# FIXTURES/ARMS PM-WB

## FIXTURES / OPTICAL SYSTEMS

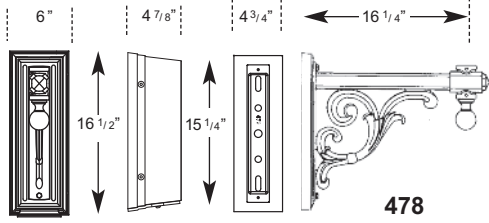
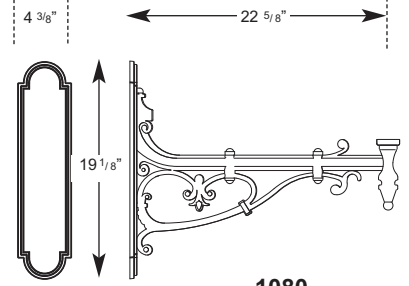
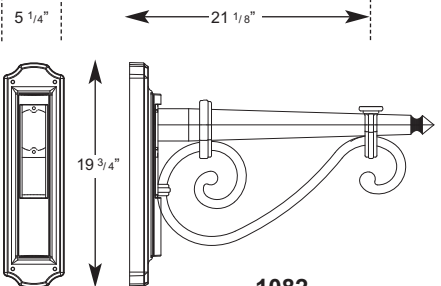
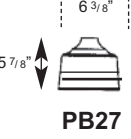
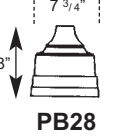
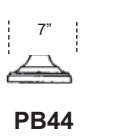
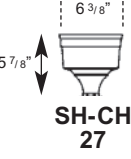
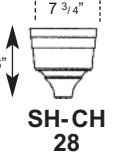

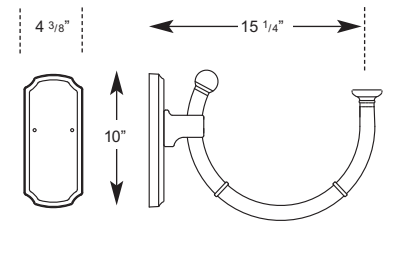
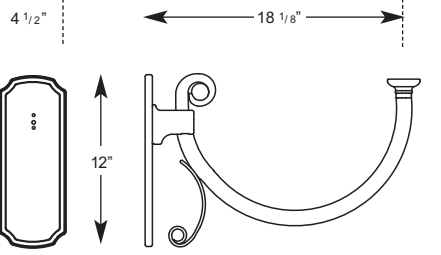
14" W  28 1/4"	14" W  24 3/4"	14" W  28 1/4"	14" W  24 3/4"	 <b>RE3 RE5</b> Refractor	 <b>RO</b> Roof Optics Horizontal 3 or 5	 <b>HSS</b> House Side Shield	 <b>FHC</b> Frosted Hurricane Chimney	 <b>3L</b> 3 Light	 <b>SH44</b> Stem Hung	 <b>CH27</b> Chain Hung
--	---	---	---	--	---	---	--	---	---	--

Specify Overall Drop in Inches

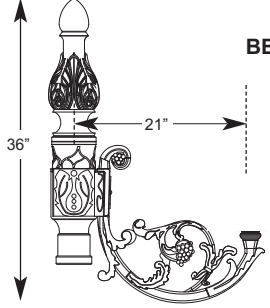
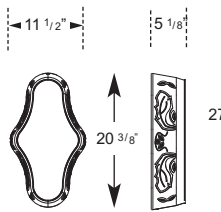
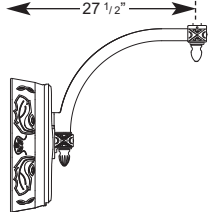
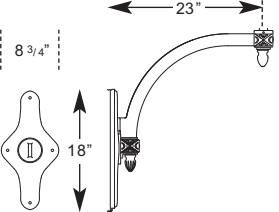
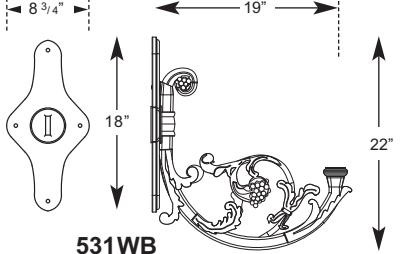
## BALLASTED WALL MOUNTS (BB) PIER MOUNTS (PB) HANGING BRACKETS

 Wall Ballast Box for 531 Arm	 Wall Ballast Box for 478 Arm	 <b>PB27</b> Pier Mount	 <b>PB28</b> Pier Mount	 <b>PB44</b> Pier Mount	 <b>PB27</b> For up to 100 Watt Ballasts	 <b>PB28</b> For 150 Watt Ballasts	 <b>PB44</b> Pier Mount	 <b>SH-CH27</b> For up to 100 Watt Ballasts	 <b>SH-CH28</b> For 150 Watt Ballasts	 <b>SH-CH44</b> Stem and Chain Hung
---	--	---	---	---	--	---	---	--	--	--

## ARMS - POST MOUNT (PM) or WALL BRACKETS (WB) See Arms Section for more information

 <b>478</b>	 <b>1080</b>	 <b>1082</b>
 <b>PB27</b>	 <b>PB28</b>	 <b>PB44</b>
 <b>SH-CH 27</b>	 <b>SH-CH 28</b>	 <b>SH-CH 44</b>
 <b>1087</b>	 <b>1090</b>	

**BB Ballast Box Option for Wall Mounts**

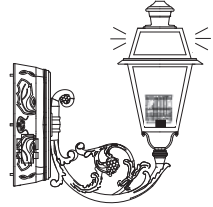
 <b>491PT</b>	 <b>966BB Ballast Box</b>	 <b>966WB</b>	 <b>966WB</b>	 <b>531WB</b>
--	---	---	--	---

# BUILDING A PART NUMBER



## POST & ARM FIXTURES

ARM MOUNTED FIXTURE	CENTER POST TOP FIXTURE (PT)	POST	POST CAP	LIGHT SOURCE BALLAST	OPTICS	OPTIONS	LENS	FINISH
NO. OF ARMS	FIXTURE/POSTARM	FIXTURE/FITTER (See Post Section)	WATTS / TYPE / VOLTS					
2	S540-CR/491PM	PT	1610TFP5	W/ARM	100MHP120	RE3	MHP100/MED	CSA / BKT



## WALL FIXTURES

FIXTURE/WALLBRACKET	WATTS / TYPE / VOLTS	LIGHT SOURCE BALLAST	OPTICS	OPTIONS	LENS	FINISH
S540-OR/531WBBB	100 MPH120	RE5		CA	BKT	



**PIER BASE**  
Uses same information boxes as wall fixture

**S540-CR/PB44**

FIXTURE / PIER MOUNT

## PART NUMBER SELECTIONS

### FIXTURES

- S540-CRF<sup>1</sup>
- S540-CR<sup>1</sup>
- S540-ORF<sup>2</sup>
- S540-OR<sup>2</sup>

### OPTICS

- RE3
- RE5
- RO3<sup>5</sup>
- RO5<sup>5</sup>
- HSS
- FHC
- 3L<sup>7</sup>

### LENSES

- CA
- CSA
- CTA
- PA
- WA

### POST ARMS

- 478PM
- 491PM
- 966PM
- 1080PM
- 1082PM
- 1087PM
- 1090PM

### PIER BASE

- PB27
- PB28
- PB44

### WALL BRACKET ARMS

- 478WB
- 531WB
- 966WB
- 1080WB
- 1082WB
- 1087WB
- 1090WB

### VOLTAGES

- 120
- 208
- 240
- 277
- 480
- MULTI (120-277)

### WALL BRACKET ARMS With BALLAST BOXES

- 478WBBB
- 531WBBB
- 966WBBB
- 1080WBBB\*\*

### HANGING BRACKETS

- SH27
- CH27
- SH28
- CH28
- SH44
- CH44

\*\*Only with 400 Series Ballast Box (not shown)

### BALLASTS<sup>4,6</sup>

- 35HPS<sup>3</sup>
- 50HPS
- 70HPS
- 100HPS
- 150HPS
- 50MHP
- 50MHPE
- 70MHP
- 70MHPE
- 100MHP
- 100MHPE
- 150MHP
- 150MHPE
- 26PLT
- 32PLT
- 42PLT
- INCAND
- QL55\*
- QL85\*

### LAMPS<sup>6</sup>

- HPS35/MED
- HPS50/MED
- HPS70/MED
- HPS100/MED
- HPS150/MED
- MHP50/MED
- MHP70/MED
- MHP100/MED
- MHP150/MED
- PLT26
- PLT32
- PLT42

### STANDARD FINISHES\*

- BKT Black Textured
- WHT White Textured
- PGT Park Green Textured
- ABZT Architectural Medium Bronze Textured
- DBT Dark Bronze Textured

\*Smooth Finishes are available upon request

### CUSTOM FINISHES

- OI Old Iron
- RT Rust
- WBR Weathered Brown
- CD Cedar
- WBK Weathered Black
- TT Two Tone

### STERNBERG SELECT FINISHES

- VG Verde Green
- SI Swedish Iron
- OWGT Old World Gray Textured

### OPTIONS

- PEC Photocell-Electronic 120-277 Volt
- FHS Single Fuse and Holder-120,277 Volt
- FHD Dual Fuse and Holder-208,240,480 Volt
- FHC Frosted Glass Chimney
- 3L 3 Light Cluster
- LAMPS Select from List

\* Consult factory for specification details

### NOTES:

- 1 If Ballast is required select Electronic Metal Halide (MHPE) or PL for roof mounting, otherwise ballast must be remote mounted.
- 2 If Ballast is required it must be remote mounted.
- 3 35HPS is 120 volt only.
- 4 Medium base sockets standard with HID ballasts. 4-pin for PLs. MHPE Metal Halide Systems Electronic pulse start.
- 5 Can support PLT up to 85 watts.
- 6 Metal halide systems are pulse start.
- 7 Candelabra Base

**S540 SEVILLE SERIES****SPECIFICATIONS****LIST NO.  
S540 SEVILLE  
SERIES**

**3-Light (3L)** candelabra set is an option for incandescent application.

**PHOTOCELLS**

Photocells shall be the electronic button type. On single post fixtures the photocell shall be mounted in the fitter and pre-wired to the ballast. On multiple head fixture assemblies, photocells shall be mounted in the pole shaft on an access plate and are not pre-wired as ballast housing assemblies and fitters are packaged separately for ease of wiring to source. The electronic button type photocell is instant on and a 5-10 second turn off and shall turn on at 1.5 foot-candles with a turn-off at 2-3 foot-candles. Photocells are 120-277 volt.

**ARMS**

All arms are made of cast aluminum and/or extruded aluminum. Arms with decorative filigree have meticulously detailed scroll work and gracefully curved brackets. Fixtures will have its fitter mechanically attached or welded to the arms. Arms are pre-wired for ease of installation.

**FINISH**

Prior to coating, each assembly shall be chemically cleaned and etched in a 5-stage washing system which includes alkaline cleaning, rinsing, phosphoric etching, reverse osmosis water rinsing and non-chrome sealing to ensure corrosion resistance and excellent adhesion for the finish coating. The finish coating shall be electrostatically applied semi-gloss, super durable polyester powder baked at 400 degrees for a durable and superior, color retentive finish. Our optional antique Verde Green finish and Swedish Iron finish are hand brushed using a 3-step process. The total assembly shall be wrapped in shockproof wrapping or fully enclosed in corrugated cartons.

**WARRANTY**

Five-year limited warranty. See product and finish warranty guide for details.

