

S440 SEVILLE SERIES

SPECIFICATIONS

GENERAL

The Seville S440 series is a small scale, European styled Mediterranean Colonial fixture, featuring a tapered four-sided cage and frame top. The four-paneled roof lantern shall be appointed with a decorative cast aluminum finial.

POST FITTER

When fixture is ordered for post mounting, the base shall be attached to a heavy wall, cast aluminum post fitter.

BALLAST HOUSING

The ballast shall be mounted in the roof of the fixture when the closed roof with refractor or frosted chimney option is chosen. The ballast can be mounted in a remote location or in the base of the pole, or when wall mounted in the optional ballast box compartment.

ELECTRICAL

Fixture shall be U.L. or E.T.L. listed in U.S. and Canada. H.I.D. ballasts shall be high power factor with lamp starting down to -30 degrees C. Medium base and mogul base porcelain sockets are 4KV rated. The ballast/ socket assembly shall be pre-wired when ballast is located in the fixture. All compact fluorescent (PL) ballasts shall be instant start electronic with a starting temperature of down to 0 degrees F. They shall have a 4-pin socket to accept quad or triple tube lamps. Ballasts shall be DOE EISA compliant.

FIXTURE HOUSING

The S440 fixture shall be 11" wide and the overall height shall be 19". It shall be made of heavy wall cast aluminum and lens shall be made of vandal resistant acrylic, available in clear acrylic (CA), clear seeded (CSA), clear textured (CTA), prismatic (PA) and white (WA) acrylic. When the four paneled open roof option is selected, it shall be lensed as well. The fixture shall have a closed bottom and optional finial.

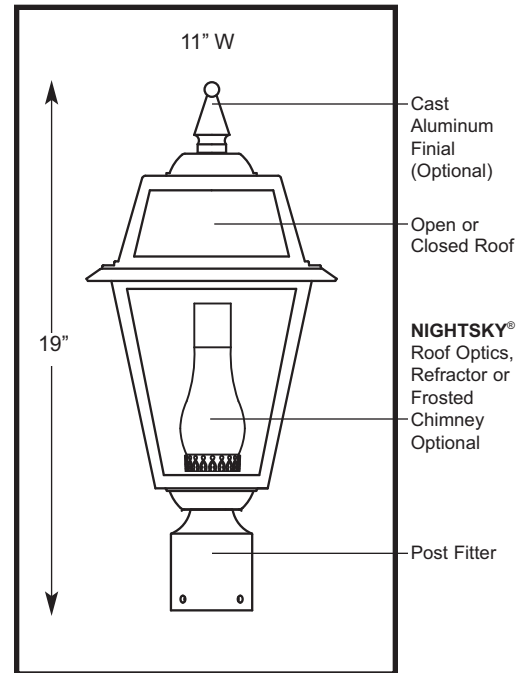
OPTICAL OPTIONS

Refractors shall be 5" diameter borosilicate glass medium base with an I.E.S. Type 3 (RE3) or Type 5 (RE5) distribution. The refractor shall be conical shaped with a diameter of 5" on one end and 4 1/2" on the other. The glass refractor shall be 5" tall.

NIGHTSKY® STAR-SHIELD® Roof Optics distribution shall be delivered by small spun roof reflector systems which eliminate uplight and provide full cut-off. The reflector cavity shall be made of specular anodized aluminum. Roof Optics Type 3 (RO3), Type 5 or (RO5) horizontal are available for medium base lamps. The roof optic shall be hinged to the roof for easy access and maintenance.

Frosted Glass Hurricane Chimney (FHC) is an optic option which add an authentic touch that can be used with Roof Optics.

House Side Shield (HSS) is an option which will block up to 120° of light in any one direction.

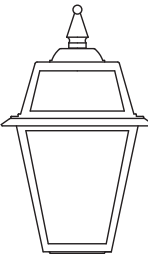
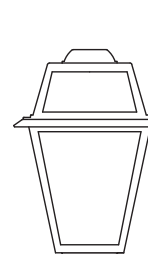
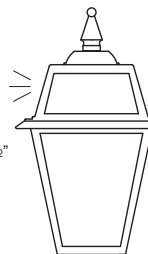

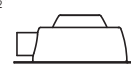




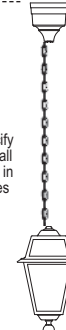


**EPA = 0.70 (ft²)
WEIGHT = 17 LBS**

S440 SEVILLE

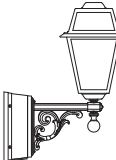






FIXTURES/ARMS PM-WB

FIXTURES / OPTICAL SYSTEMS

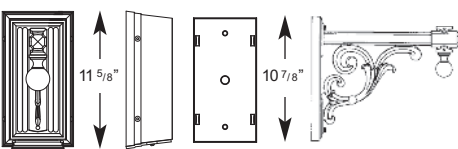
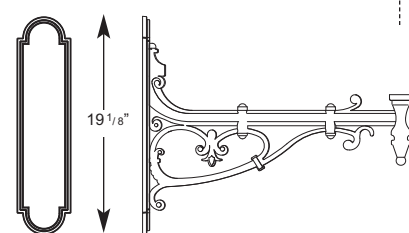
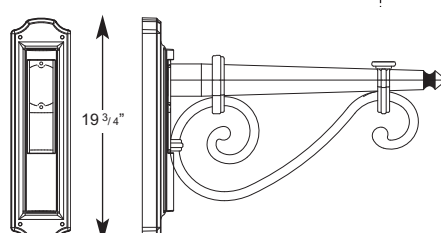
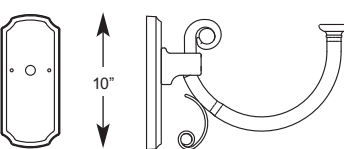
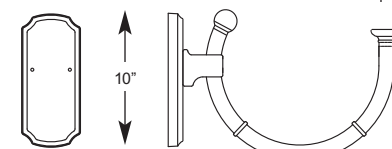
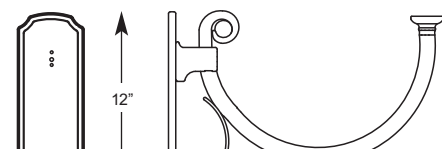




 <p>11" W 19"</p>	 <p>11" W 15 1/2"</p>	 <p>11" W 19"</p>	 <p>11" W 15 1/2"</p>	 <p>ROH-T Roof Optics Horizontal 3 or 5</p>	 <p>RE3 RE5 Refractor</p>	 <p>FHC Frosted Hurricane Chimney</p>	 <p>3L 3 Light</p>	 <p>SH27B Stem Hung</p>	 <p>CH27 Chain Hung</p>
-------------------------------------------------------------------------------------------------------	------------------------------------------------------------------------------------------------------------	--------------------------------------------------------------------------------------------------------	------------------------------------------------------------------------------------------------------------	--------------------------------------------------------------------------------------------------------------------------------------------------	-----------------------------------------------------------------------------------------------------------------------------	---------------------------------------------------------------------------------------------------------------------------------------------	------------------------------------------------------------------------------------------------------------------	-----------------------------------------------------------------------------------------------------------------------	-----------------------------------------------------------------------------------------------------------------------

Specify Overall Drop in Inches

BALLASTED WALL MOUNTS (BB) PIER MOUNTS (PB) HANGING BRACKETS

 <p>Wall Ballast Box for 78 Arm</p>	 <p>PB27 Pier Mount</p>	 <p>PB27B Pier Mount</p>	 <p>PB27 For up to 100 Watt Ballasts</p>	 <p>PB27B Pier Mount</p>	 <p>SH-CH27 For up to 100 Watt Ballasts</p>	 <p>SH-CH27B</p>
---------------------------------------------------------------------------------------------------------------------------------	-------------------------------------------------------------------------------------------------------------------------	--------------------------------------------------------------------------------------------------------------------------	----------------------------------------------------------------------------------------------------------------------------------------------	---------------------------------------------------------------------------------------------------------------------------	---------------------------------------------------------------------------------------------------------------------------------------------------	------------------------------------------------------------------------------------------------------------

ARMS - POST MOUNT (PM) or WALL BRACKETS (WB) See Arms Section for more information

 <p>6" 3 7/8" 5 1/2" 11"</p> <p>11 5/8" 10 7/8"</p> <p>78</p>	 <p>4 3/8" 22 5/8"</p> <p>19 1/8"</p> <p>1080</p>	 <p>5 1/4" 21 1/8"</p> <p>19 3/4"</p> <p>1082</p>	
 <p>4 3/8" 14 1/8"</p> <p>10"</p> <p>1085</p>	 <p>4 3/8" 15 1/4"</p> <p>10"</p> <p>1087</p>	 <p>4 1/2" 18 1/8"</p> <p>12"</p> <p>1090</p>	
 <p>6 3/8" 5 7/8"</p> <p>PB27</p>	 <p>5 1/2" 3 1/8"</p> <p>PB27B</p>	 <p>6 3/8" 6 1/4"</p> <p>SH-CH 27</p>	 <p>5 1/2" 3 1/8"</p> <p>SH-CH 27B</p>



BUILDING A PART NUMBER

POST & ARM FIXTURES

ARM MOUNTED FIXTURE	CENTER POST TOP FIXTURE (PT)	POST	POST CAP	LIGHT SOURCE BALLAST	OPTICS	OPTIONS	LENS	FINISH
NO. OF ARMS	FIXTURE / POSTARM	FIXTURE / FITTER (See Post Section)	WATTS / TYPE / VOLTS					
2	S440-ORF/1087PM	PT	3810P	PCC	100 HPS120	RE3	HPS100/MED	CSA / BKT

WALL FIXTURES

FIXTURE/WALLBRACKET	LIGHT SOURCE BALLAST	OPTICS	OPTIONS	LENS	FINISH
WATTS / TYPE / VOLTS					
S440-ORF/1082WB	INCAND	FC		CA	BKT



PIER BASE
Uses same information boxes as wall fixture
S440/PB27
PB27 / PIER MOUNT

PART NUMBER SELECTIONS

FIXTURES

- S440-CRF¹
- S440-CR¹
- S440-ORF²
- S440-OR²

OPTICS

- RE3
- RE5
- RO3⁵
- RO5⁵
- FHC⁴

LENSES

- CA
- CSA
- CTA
- PA
- WA

OPTIONS

- PEC Photocell-Electronic 120-277 Volt
- FHS Single Fuse and Holder-120,277 Volt
- FHD Dual Fuse and Holder-208,240,480 Volt
- FHC Frosted Glass Chimney
- 3L 3 Light Cluster
- LAMPS Select from List

POST ARMS

- 78PM
- 1080PM
- 1082PM
- 1085PM
- 1087PM
- 1090PM

PIER BASE

- PB27 (Housing for Ballast)
- PB27B

WALL BRACKET ARMS

- 78WB
- 80WB
- 1080WB
- 1082WB
- 1085WB
- 1087WB
- 1090WB

HANGING BRACKETS

- SH27
- CH27
- SH27B
- CH27B

WALL BRACKET ARMS With BALLAST BOXES

- 78WB^{BB}

VOLTAGES

- 120
- 208
- 240
- 277
- 480
- MULTI (120-277)

BALLASTS^{4,6}

- 35HPS³
- 50HPS
- 70HPS
- 100HPS
- 50MHP
- 50MHPE
- 70MHP
- 70MHPE
- 100MHP
- 100MHPE
- 26PLT
- 32PLT
- 42PLT
- INCAND
- QL55*
- QL85*

LAMPS⁶

- HPS35/MED
- HPS50/MED
- HPS70/MED
- HPS100/MED
- MHP50/MED
- MHP70/MED
- MHP100/MED
- PLT26
- PLT32
- PLT42

STANDARD FINISHES*

- BKT Black Textured
- WHT White Textured
- PGT Park Green Textured
- ABZT Architectural Medium Bronze Textured
- DBT Dark Bronze Textured

*Smooth Finishes are available upon request

CUSTOM FINISHES

- OI Old Iron
- RT Rust
- WBR Weathered Brown
- CD Cedar
- WBK Weathered Black
- TT Two Tone

STERNBERG SELECT FINISHES

- VG Verde Green
- SI Swedish Iron
- OWGT Old World Gray Textured

*Consult factory for specification details

NOTES:

- ¹ If Ballast is required select electronic Metal Halide (MHPE) or PL for roof mounting, otherwise ballast must be remote mounted.
- ² If Ballast is required it must be remote mounted.
- ³ 35HPS is 120 volt only.
- ⁴ Medium base sockets standard with HID ballasts. 4-pin for PLs. MHPE Metal Halide Systems Electronic pulse start.
- ⁵ Can support PLT up to 85 watts.
- ⁶ Metal halide systems are pulse start.

S440 SEVILLE SERIES**SPECIFICATIONS****LIST NO.
S440 SEVILLE
SERIES**

3-Light (3L) candelabra set is an option for incandescent application.

PHOTOCELLS

Photocells shall be the electronic button type. Photocell shall be mounted in the pole shaft on an access plate and are not pre-wired as ballast housing assemblies and fitters are packaged separately for ease of wiring to source. The electronic button type photocell is instant on and a 5-10 second turn off and shall turn on at 1.5 foot-candles with a turn-off at 2-3 foot-candles. Photocells are 120-277 volt.

ARMS

All arms are made of cast aluminum and/or extruded aluminum. Arms with decorative filigree have meticulously detailed scroll work and gracefully curved brackets. Fixtures will have its fitter mechanically attached or welded to the arms.

FINISH

Prior to coating, each assembly shall be chemically cleaned and etched in a 5-stage washing system which includes alkaline cleaning, rinsing, phosphoric etching, reverse osmosis water rinsing and non-chrome sealing to ensure corrosion resistance and excellent adhesion for the finish coating. The finish coating shall be electrostatically applied semi-gloss, super durable polyester powder baked at 400 degrees for a durable and superior, color retentive finish. Our optional antique Verde Green finish and Swedish Iron finish are hand brushed using a 3-step process. The total assembly shall be wrapped in shockproof wrapping or fully enclosed in corrugated cartons.

WARRANTY

Five-year limited warranty. See product and finish warranty guide for details.

