

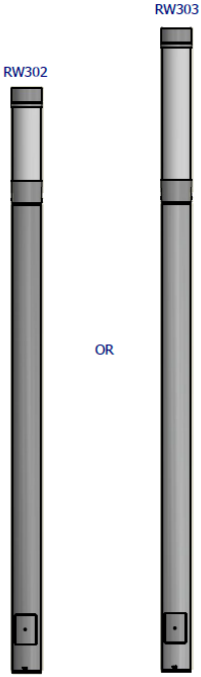
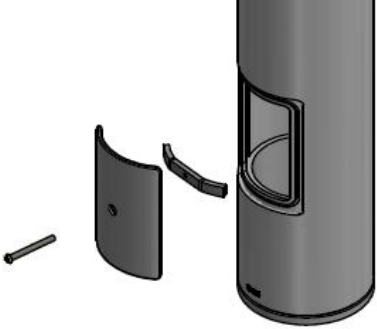
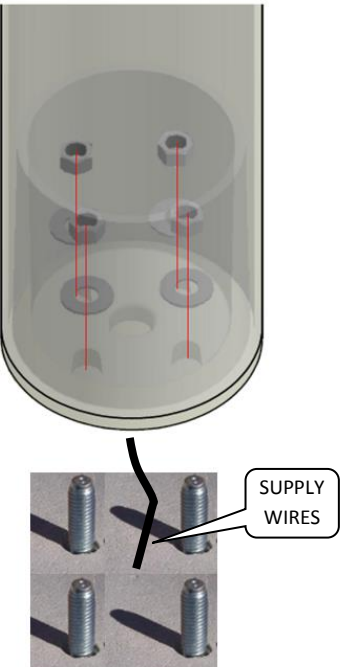
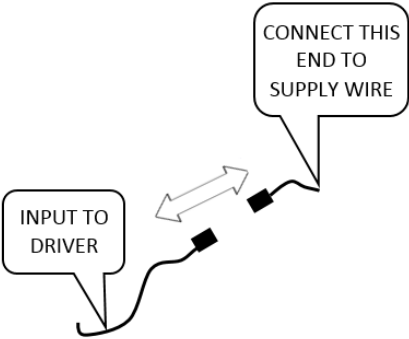
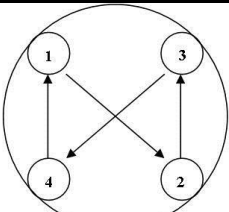
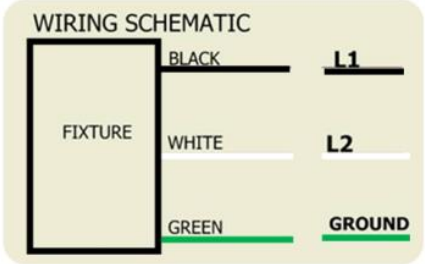
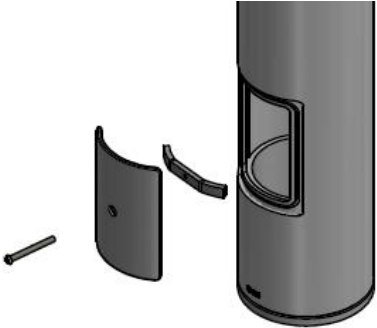


Installation Instructions	Product: RW302 or RW303
Effective Date: June 21, 2018	Part Description: Rialta Column

	WARNING: To avoid fire, shock or death, turn off and lockout power before performing any maintenance.
	CAUTION: This Fixture must be wired in accordance with the National Electric Code (NEC) and all applicable local codes. Proper grounding is required. A qualified electrician must do all work.

		<p>Step 1: Unbox the product. Recycle packaging materials responsibly.</p> <p>Step 2: Loosen center screw but do not remove screw and remove access door at the base of the pole.</p>
--	--	---

		<p>Step 3 Route the supply wires up through the base. Making sure access door opening is facing away from the street side.</p> <p>Step 4: Secure the base plate to the anchor bolts. Use a cross tightening pattern as shown below</p> <p>Step 5: Wire the free end of the male connector to the supply lines.</p> <p>Step 6: Connect the male connector from supply lines and the female connector from LED Driver Assembly together and press firmly together to lock them. See wiring schematic below.</p> 
---	---	---

<p>WIRING SCHEMATIC</p>  <p>FIXTURE</p> <p>BLACK L1</p> <p>WHITE L2</p> <p>GREEN GROUND</p>		<p>Step 7: Replace access door and center screw. The door bar should be in the horizontal position. Secure door firmly in place with the screw.</p>
---	---	--

Revision History				
Rev	Description of Revision	Release Date	Design Engineer Author	Manufacturing Engineer Approval
A	Create Rialta Installation Instructions	06/21/2018	Pat Pieta	Grant Burton