



# RW302 RIALTA SERIES

LED COLUMN

**DIMENSIONS**  
6" Ø  
6' to 16' TALL

**7 YEAR WARRANTY**

**LUMEN RANGE**  
1890 to 2050

**LIFE SPAN**  
L70  
MINIMUM  
100,000  
HOURS

**UL LISTED**

**CLICK FOR FAQ'S**

**Rated IP66**

JOB NAME \_\_\_\_\_

FIXTURE TYPE \_\_\_\_\_

MEMO \_\_\_\_\_

## BUILD A PART NUMBER

ORDERING EXAMPLE: **PT10-RW302-6L40TS-MDL05/BKT**

Mounting Configuration	Overall Height (In Feet)*	Fixture	LED	CCT	Distribution Type	Driver	Option Control Receptacle	Option Control	Option Fuse	Option Receptacle	Finish

\*Specify height for "PT" mounting configuration ONLY.

### Mounting Configuration

(Click here to link to mounting configuration specification page)

- IW            • SF4            • 2A            • 3A90
- PT            • SF5            • 2A90        • 4A
- SH<sup>1</sup>        • 1A            • 3A

IW = Wall Mount PT = Post Top SH = Stem Hung SF4 = Slip Fit INSIDE 4" shaft SF5 = Slip Fit INSIDE 5" shaft A = Arm Mount

<sup>1</sup> Include overall drop length in inches after designation for Stem/Chain application (IE: SH - 48")

### Overall Height (In Feet)<sup>2</sup>

• \_\_\_' (Available from 6' to 16')

<sup>2</sup> Post top heights over 12' require the Wide Base mount (see back page)

### Fixture

- RW302

### LED

- 6L

### CCT - Color Temperature (K)

- 27(00)    • 30(00)    • 35(00)
- 40(00)    • 50(00)

### Distribution Type

- TS (Symmetric)

### Driver

- MDL05 (120V-277V, 480mA)
- MDH05 (347V-480V, 480mA)

### Options (Click here to view accessories sheet)

- R<sup>3</sup> 3-Pin control receptacle only
- R<sup>5</sup> 5-Pin control receptacle only
- R<sup>7</sup> 7-Pin control receptacle only
- PE<sup>4</sup> Twist-Lock Photocontrol (120V-277V)
- PE<sup>4</sup> Twist-Lock Photocontrol (347V-480V)
- SC<sup>4</sup> Shorting Cap
- PCD Electronic Button Photocontrol, mounted on an access door (120V-277V)

- PCD<sup>4</sup> Electronic Button Photocontrol, mounted on an access door (480V)
- FHD<sup>5</sup> Double Fuse and Holder
- GFI LPIUC 15 Amp duplex GFCI receptacles with a low-profile in-use cover
- GFI IUC 15 Amp duplex GFCI receptacles with a standard in-use cover
- USB LPIUC 15 Amp duplex USB/Receptacle combo with a low-profile in-use cover (NON-GFI)
- USB IUC 15 Amp duplex USB/Receptacle combo with a standard in-use cover (NON-GFI)

<sup>3</sup> Not for use with "SH" mounting configuration

<sup>4</sup> Requires control receptacle

<sup>5</sup> Ships loose for installation in base.

### Finish

#### Standard Urban Finishes

(Click here to view paint finish sheet)

- UGMT Gun Metal Textured
- UGM Gun Metal Matte
- UBT Urban Bronze Textured
- UB Urban Bronze Matte
- USLT Urban Silver Textured
- USL Urban Silver Matte
- UWHT Urban White Textured
- UWH Urban White Matte
- BKT Black Textured

#### Custom Urban Finish<sup>6</sup>

- CM Custom Match

<sup>6</sup> Custom colors require upcharge.

## Specifications

### General

The RW302 luminaire is a cylindrical luminaire offered in a variety of mounting options. Designed to bring ambiance to any project by providing a performance lighting package in a vertical form. The luminaire body is fabricated with aluminum parts. The main shaft member

is alum 6063. and the sandcast fixture bodies are aluminum 356. The fasteners are 18-8 stainless steel. The 6" cylinder adds a 15" high luminous element. The RW302 uses a Six LED board configuration to deliver a symmetrical distribution with high efficiency and low wattage consumption. The Luminaire shall be UL listed in US and Canada.

### LEDs

The luminaire shall use high output, high brightness LEDs. They shall be mounted in arrays, on printed circuit boards designed to maximize heat transfer to the heat sink surface. The LEDs and printed circuit boards shall be 100% recyclable; they shall also be protected from moisture and corrosion by a conformal coating of 1 to 3 mils. They shall not contain lead, mercury or any other hazardous substances and shall be RoHS compliant. The LED life rating data shall be determined in accordance with IESNA LM-80. The High Performance white LEDs will have a life expectancy of approximately 100,000 hours with not less than 70% of original brightness (lumen maintenance), rated at 25°C. The High Brightness, High Output LEDs shall be 5000K (4500K, 3000K, 3500K or 2700K option) color temperature with a minimum CRI of 70. Consult factory for custom color CCT. The luminaire shall have a minimum \_\_\_\_\_ (see table) delivered initial lumen rating when operated at steady state with an average ambient temperature of 25°C (77°F).

### Optics

The luminaire shall be provided with individual, collimating type optics applied to each LED. The luminaire shall provide a symmetric distribution with near perfect surface brightness and uniformity.

See next page



**SternbergLighting**

ESTABLISHED 1923

800-621-3376  
555 Lawrence Ave., Roselle, IL 60172  
contactus@sternberglighting.com  
www.sternberglighting.com

### Electronic Driver

The LED driver shall be U.L. Recognized. It shall be securely mounted inside the bollard, for optimized performance and longevity. It shall be supplied with a quick-disconnect electrical connector on the power supply, providing easy power connections and fixture installation. It shall have overload as well as short circuit protection, and have a DC voltage output, constant current design, 50/60HZ. It shall be supplied with line-ground, line-neutral and neutral-ground electrical surge protection in accordance with IEEE/ANSI C62.41.2 guidelines. It shall be dimmable using a 0-10v signal. The driver shall have a minimum efficiency of 88%.

### Installation

For the "PT" mounting configuration, four 5/8" diameter, hot-dipped galvanized "L" type anchor bolts shall be provided with the post for anchorage. **FOR USE WITH HEIGHTS LESS THAN OR EQUAL TO 12'** they shall be mounted in a 3-1/4" bolt circle. **FOR USE WITH HEIGHTS GREATER THAN 12'** they shall be mounted in a 8-3/4" bolt circle. A door shall be provided for wiring and anchor bolt access. It shall be secured with tamper proof stainless steel hardware. Post will be provided with a grounding stud mounted behind the access door.

### Photocontrols

**Button Style:** The photocontrol shall be mounted on an access door and pre-wired to driver. The electronic button type photocontrol

is instant on with a 5-10 second turn off, and shall turn on at 1.5 footcandles with a turn-off at 2-3 footcandles. Photocontrol is 120-277 volt and warranted for 6 years.

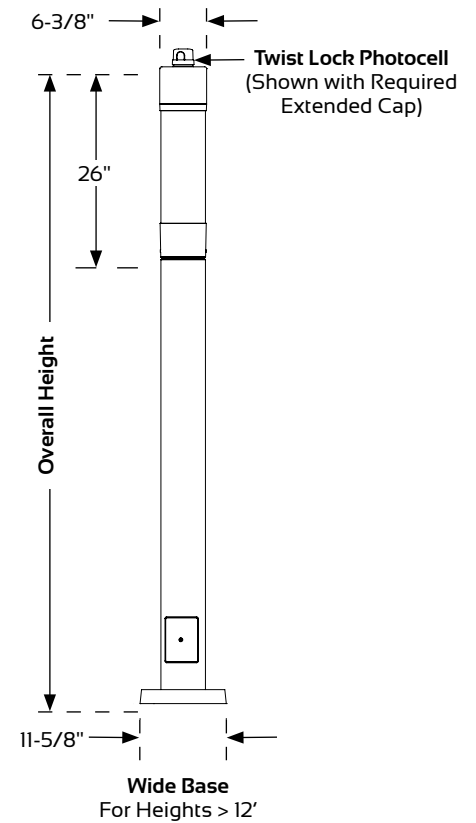
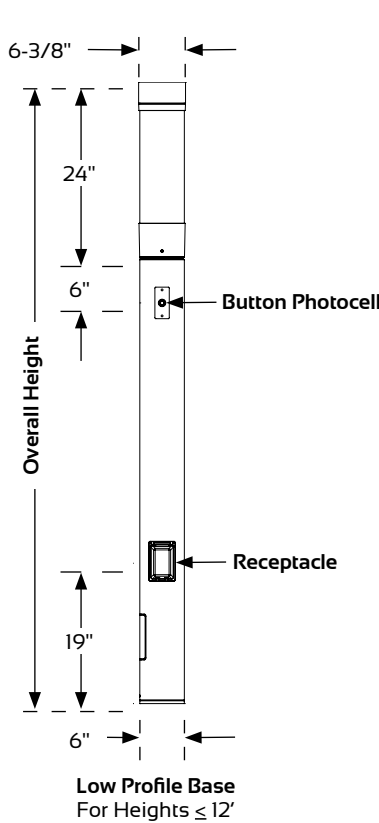
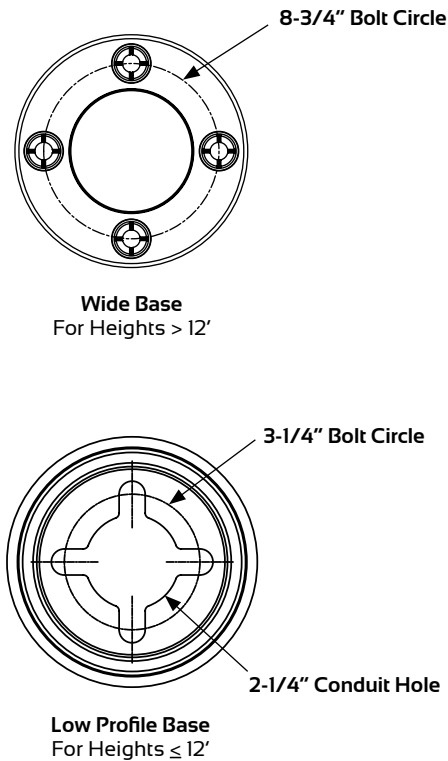
**Twist-Lock Style:** The photocontrol shall be mounted externally on the fixture and pre-wired to driver. The twist lock type photocontrol is instant on with a 3-6 second turn off, and shall turn on at 1.5 footcandles with a turn-off at 2-3 footcandles. Photocontrol is 120-277 volt and warranted for 6 years.

### Warranty

Seven-year limited warranty. See product and finish warranty guide for details.

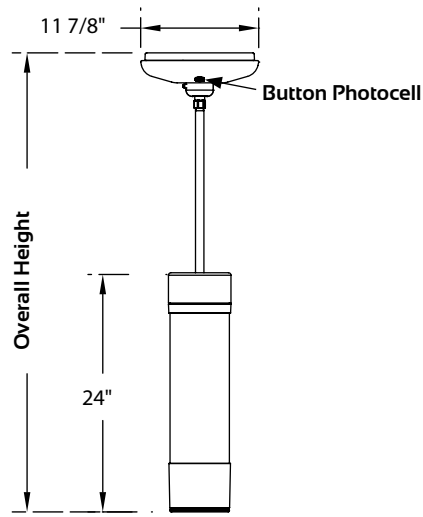
### Finish

Refer to website for details.

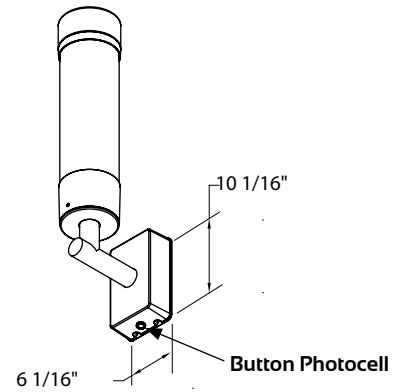


# RW302 RIALTA SERIES

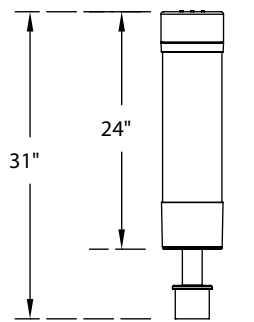
LED COLUMN



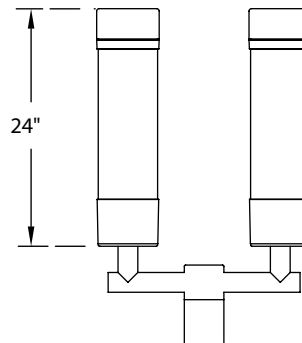
SH  
Stem Hung Mount



IW  
Wall Mount



SF\_  
Slip Fit Mount



2A  
2 Arm Mount

See Mounting Configuration page for more mounting options.  
(Click here to link to mounting configuration specification page)

## Performance

Model #	TS LUMENS	EFFICACY (LPW)	WATTAGE
RW302-6L40TS-MDL05	2050	46.6	44
RW302-6L30TS-MDL05	1955	44.4	44
RW302-6L27TS-MDL05	1890	43.0	44



**SternbergLighting**  
ESTABLISHED 1923

800-621-3376  
555 Lawrence Ave., Roselle, IL 60172  
contactus@sternberglighting.com  
www.sternberglighting.com