

# DMX TOUCH PANEL CONTROLLER

## CONTROLS



BUILD A PART NUMBER		
ORDERING EXAMPLE: <b>TPC-FBB-WRD</b>		
DMX Controller	Back Box	Interface

## Specifications

Single universe, reliable, fully integrated and remotely managed lighting control solution.

### Physical:

- Touch screen with customizable user interface
- Solid state, one touch on when powered
- Screen diagonal: 4.3"
- Screen resolution: 480x272, color depth: 24 bit, brightness: 340 cd/ m<sup>2</sup>
- Wall-mounting in back box (See options above.)
- Configuration, programming and reset buttons hidden under decorative magnetic overlay frame

### Performance:

- 1 universe of Ethernet based DMX512
- Programmed and configured using the Pharos Designer software
- Configure control appearance and visual feedback in software
- Integrated real time and astronomical clock functionality with daylight saving support
- Triggering and show control via touch screen, IR, Ethernet, real time and astronomical clocks
- Proximity sensor to wake the display
- Use multiple units connected and synchronized over Ethernet to scale to larger installations
- Integrates with other Pharos Controllers (LPC, LPC X, AVC) and Remote Devices (RIO, BPS)
- Integrated web interface for remote management; custom pages supported
- Removable SD memory card program storage
- Operating Conditions: 0°C to 50°C [32F to 122F], 10%-50% relative humidity, non-condensing (Indoor Conditioned environment)
- Warranty: 5 years

### Interface:

- RJ45 socket for 10/100 Base-TX Ethernet Electrical
- IEEE 802.3af PoE powered device (typical power consumption 4W)

### DMX Controller

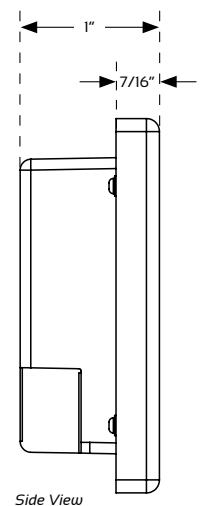
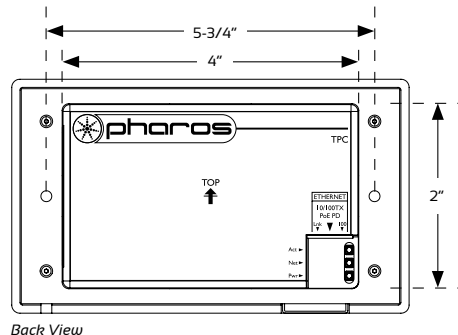
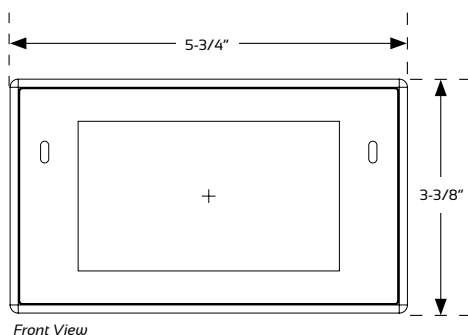
- **TPC 4.3"** Touch Panel Controller & External Support Module

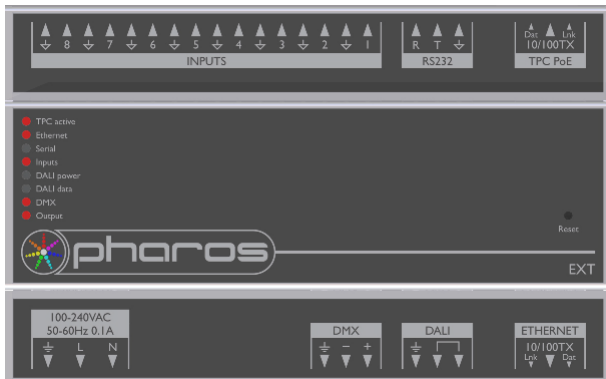
### Back Box

- **FBB** Flush Mounted Back Box
- **SBB** Surface Mounted Back Box

### Interface

- **WRD** Wired DMX System
- **WLS** Wireless DMX System (includes additional Transmitter & Antennae)





## Specifications

Power Source and network interface for TPC

### Physical:

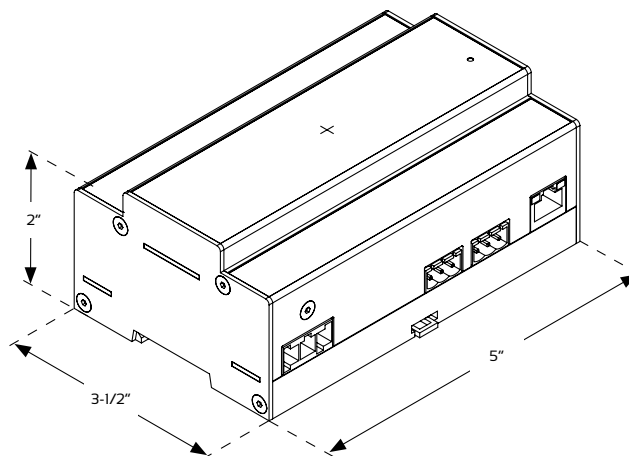
- Accepts: 100-240VAC 50-60Hz
- Power consumption: 10W typical
- Temperature: 0 to 50°C
- Mounting: DIN Rail (3"-6" Long, 35mm X7.5mm slotted)
- Entirely solid state no moving parts.
- CE compliant, ETL/cETL listed
- Size: 5" x 3-1/2" x 2"
- Weight: 1.6 lbs.
- Exclusively for TPC controller (using CAT5 or CAT6 cable from POE port)

### Performance:

- Microprocessor based extension for TPC
- Upgradable operating system
- Programmable via PC or MAC. Contact Pharos Controls for software.
- May output DMX and eDMX signals concurrently
- Transmit/Receive DALI signals
- Warranty: 5 years

### Interface:

- DMX 512: 3-pin isolated output, RDM compatible.
- Ethernet RJ45 socket for 10/100Base-TX Ethernet
- POE RJ45 IEEE 802.3 af
- DALI Master or Slave
- Serial Inputs: RS232 3-pin input/output
- Trigger Inputs: Contact Pharos Controls



**SternbergLighting**

ESTABLISHED 1923 / EMPLOYEE OWNED

800-621-3376  
555 Lawrence Ave., Roselle, IL 60172  
info@sternberglighting.com  
www.sternberglighting.com

6/18 STERNBERG LIGHTING. ALL RIGHTS RESERVED. PRINTED IN THE USA.