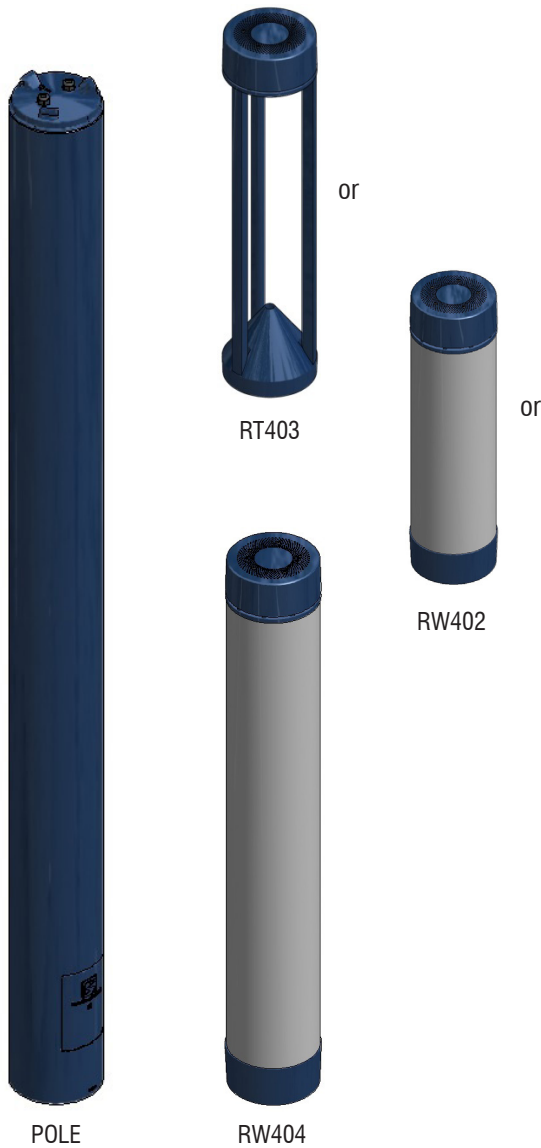


WARNING: TO AVOID FIRE, SHOCK OR DEATH, TURN OFF AND LOCKOUT POWER BEFORE PERFORMING ANY MAINTENANCE.

CAUTION: THIS FIXTURE MUST BE WIRED IN ACCORDANCE WITH THE NATIONAL ELECTRIC CODE AND ALL APPLICABLE LOCAL CODES. PROPER GROUNDING IS REQUIRED. ALL WORK SHOULD BE DONE BY A QUALIFIED ELECTRICIAN.

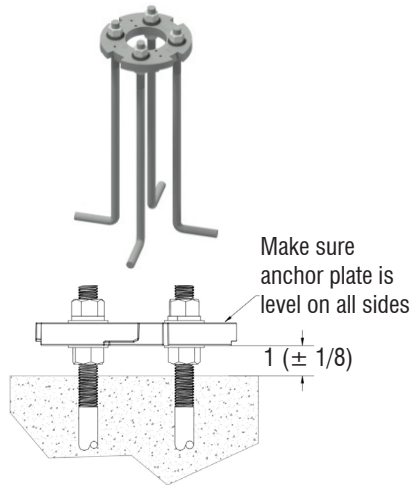
STEP 1

Unpack pole assembly and fixture.
Handle with care. Recycle the empty packaging.



STEP 2

The anchor assembly has been installed. Slide pole onto anchor plate. (Refer to anchor bolt template)



STEP 3

Turn the pole assembly on 20 deg.
Confirm assembly is level.



WARNING: TO AVOID FIRE, SHOCK OR DEATH, TURN OFF AND LOCKOUT POWER BEFORE PERFORMING ANY MAINTENANCE.

CAUTION: THIS FIXTURE MUST BE WIRED IN ACCORDANCE WITH THE NATIONAL ELECTRIC CODE AND ALL APPLICABLE LOCAL CODES. PROPER GROUNDING IS REQUIRED. ALL WORK SHOULD BE DONE BY A QUALIFIED ELECTRICIAN.

STEP 4

Secure pole onto anchor plate with the four sets of screws and washers provided.



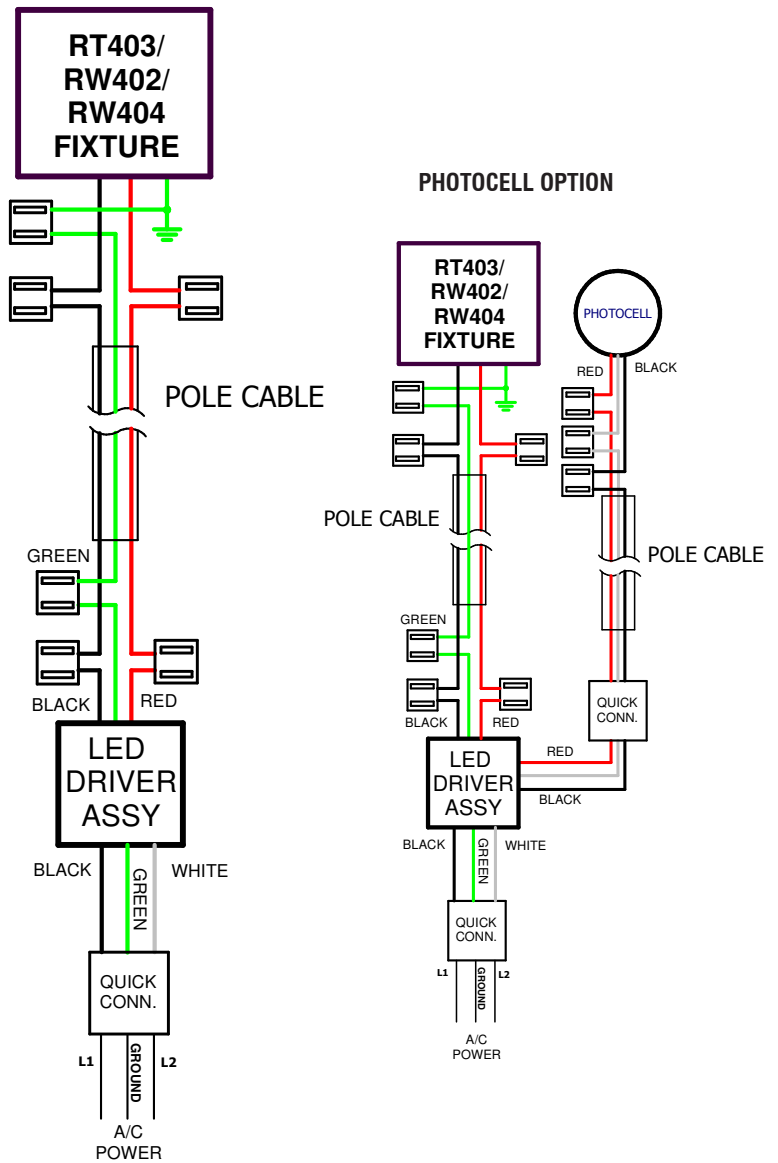
STEP 5

Install the bracket-driver assembly.



STEP 6

Connect supply wires to the driver assembly, pole wires and fixture according to the wiring schematic.



SternbergLighting

ESTABLISHED 1923 / EMPLOYEE OWNED

800-621-3376
555 Lawrence Ave., Roselle, IL 60172
info@sternberglighting.com
www.sternberglighting.com

! WARNING: TO AVOID FIRE, SHOCK OR DEATH, TURN OFF AND LOCKOUT POWER BEFORE PERFORMING ANY MAINTENANCE.

! CAUTION: THIS FIXTURE MUST BE WIRED IN ACCORDANCE WITH THE NATIONAL ELECTRIC CODE AND ALL APPLICABLE LOCAL CODES. PROPER GROUNDING IS REQUIRED. ALL WORK SHOULD BE DONE BY A QUALIFIED ELECTRICIAN.

STEP 7

Close the access door.



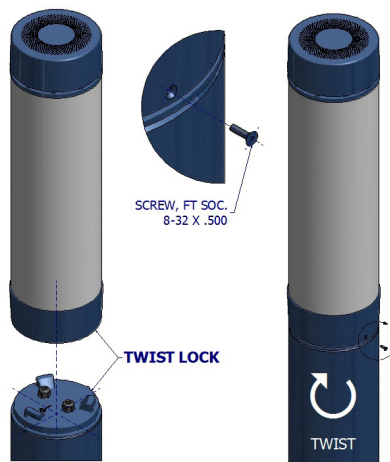
STEP 8

Install the fixture onto top of pole.

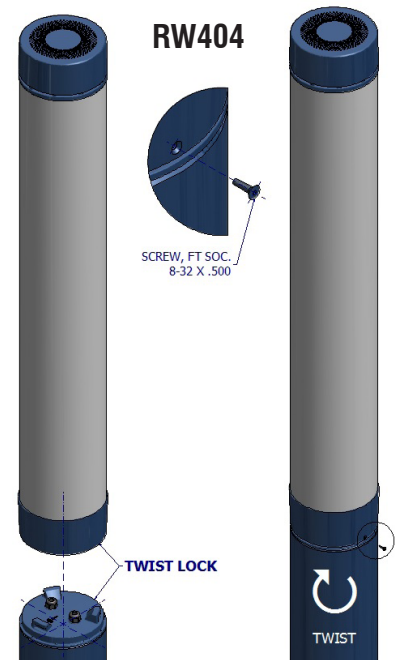
RT403



RW402



RW404



SternbergLighting

ESTABLISHED 1923 / EMPLOYEE OWNED

800-621-3376
555 Lawrence Ave., Roselle, IL 60172
info@sternberglighting.com
www.sternberglighting.com

! **WARNING:** TO AVOID FIRE, SHOCK OR DEATH, TURN OFF AND LOCKOUT POWER BEFORE PERFORMING ANY MAINTENANCE.

! **CAUTION:** THIS FIXTURE MUST BE WIRED IN ACCORDANCE WITH THE NATIONAL ELECTRIC CODE AND ALL APPLICABLE LOCAL CODES. PROPER GROUNDING IS REQUIRED. ALL WORK SHOULD BE DONE BY A QUALIFIED ELECTRICIAN.

