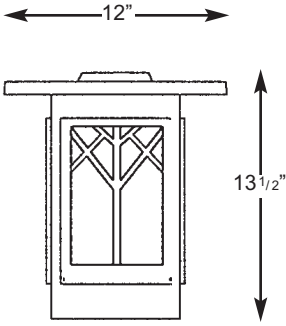


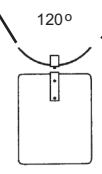





750 PRAIRIE RESIDENTIAL SERIES

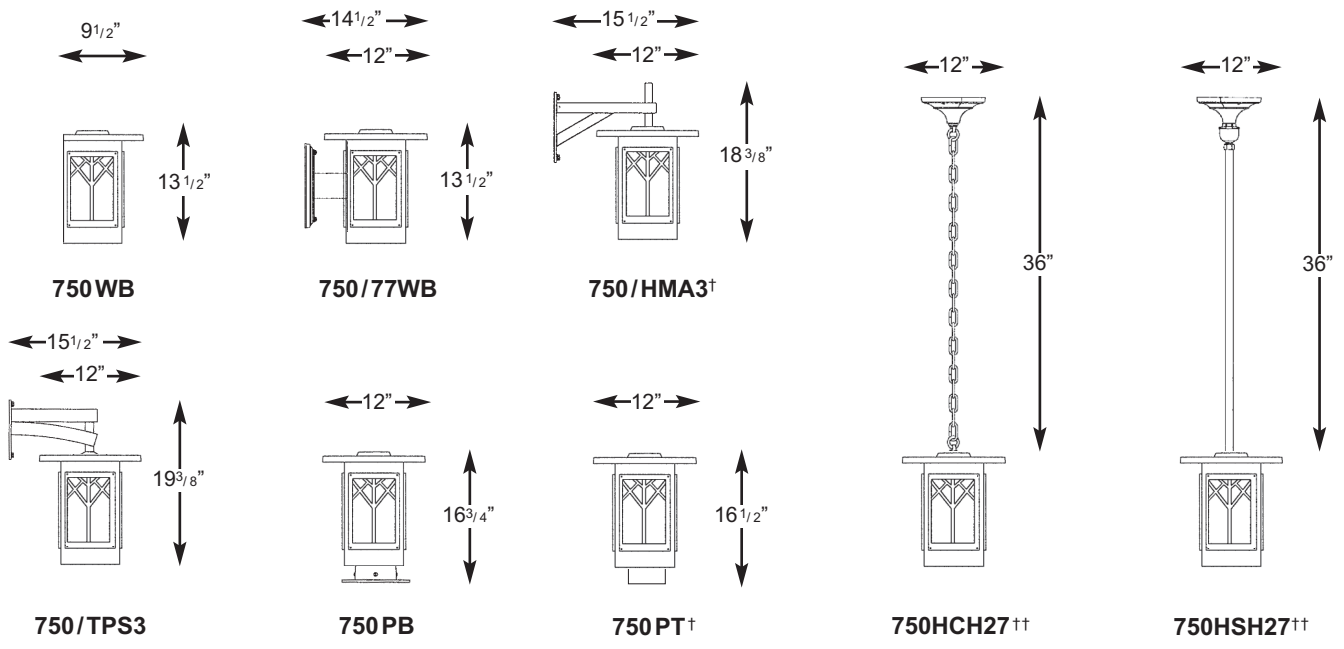
SPECIFICATIONS

FIXTURE	SOCKET TYPE	OPTICAL SYSTEMS	BB BALLAST BOX	POST FITTER	
 <p>12" width 13 1/2" height</p> <p>750</p>	 <p>MED Single Medium Base Socket</p>	 <p>PL Compact Fluorescent</p>	 <p>HSS House Side Shield</p>	 <p>FMC Frosted Mission Chimney</p>	<p>78BB - Large Scale for up to 100 watt ballasts</p>  <p>27BB - Hanging or Pier for up to 100 watt ballasts</p>  <p>SIZES</p> <ul style="list-style-type: none"> ○ R3" □ S4" ○ R4"

LENSES




POST MOUNT, WALL BRACKETS & PIER MOUNT



NOTE: 750 Series 100W Max. INC. Refractors not available.
†Remote Ballast required if HID or CF. ††Add BB Ballast Box for 100W HID.

BUILDING A PART NUMBER

POST & ARM FIXTURES

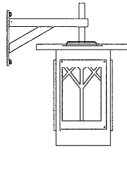


ARM MOUNTED FIXTURE POST TOP FIXTURE CENTER (PT) POST POST CAP LIGHT SOURCE BALLAST OPTICS OPTIONS LENS FINISH

NO. OF ARMS FIXTURE / POSTARM FIXT./FITTER (See Post Section) WATTS / TYPE / VOLTS

750 / S4 / 4SQX / 100MHP120 / WA / BKT

WALL FIXTURES

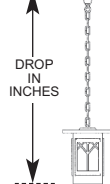


FIXTURE / WALL BRACKET LIGHT SOURCE BALLAST OPTICS OPTIONS LENS FINISH

750HMA3 / 100MHP120 / MHP100/MED / WA / BKT

PIER FIXTURES
Uses same information boxes as wall fixture
750 / P28B
FIXTURE / PIER BASE

HANGING FIXTURES



FIXTURE / HANGING BRACKET OVERALL DROP IN INCHES LIGHT SOURCE BALLAST OPTICS OPTIONS LENS FINISH

750H/CH27 / 36 INCHES / 100MHP120 / FMC / MHP100/MED / CA / BKT

PART NUMBER SELECTIONS

- | | | | | | | |
|--|---|---|---|--|---|---|
| FIXTURES
<ul style="list-style-type: none"> • 750 OPTICS
<ul style="list-style-type: none"> • HSS • FMC • MED • PL FITTERS
<ul style="list-style-type: none"> • R3 • S4 • R4 | POST ARMS
<ul style="list-style-type: none"> • 77PM • HMA3PM • TPS3PM LENSES
<ul style="list-style-type: none"> • CA • CSA • CTA • PA • WA • AGB | WALL BRACKET ARMS
<ul style="list-style-type: none"> • 77WB • HMA3WB • TPS3WB HANGING BRACKETS
<ul style="list-style-type: none"> • CH27 • SH27 PIER BASE
<ul style="list-style-type: none"> • P28B | LAMPS ⁴
<ul style="list-style-type: none"> • HPS35/MED • HPS50/MED • HPS70/MED • HPS100/MED • MHP50/MED • MHP70/MED • MHP100/MED • PLT26 • PLT32 • PLT42 • PLT57 • PLT70 | BALLASTS ^{3,4}
<ul style="list-style-type: none"> • 35HPS¹ • 50HPS • 70HPS • 100HPS • 50MHP • 70MHP • 100MHP • 26PLT • 32PLT • 42PLT • 57PLT • 70PLT • INCAND (100 watt max.) | BB- BALLAST BOX
<ul style="list-style-type: none"> • 78BB - Medium Scale for up to 100 watt ballasts • 27BB - Hanging or Pier for up to 100 watt ballasts | STANDARD FINISHES*
<ul style="list-style-type: none"> • BKT Black Textured • WHT White Textured • PGT Park Green Textured • ABZT Architectural Medium Bronze Textured • DBT Dark Bronze Textured <p><small>*Smooth Finishes are available upon request</small></p> CUSTOM FINISHES
<ul style="list-style-type: none"> • OI Old Iron • RT Rust • WBR Weathered Brown • CD Cedar • WBK Weathered Black • TT Two Tone |
|--|---|---|---|--|---|---|

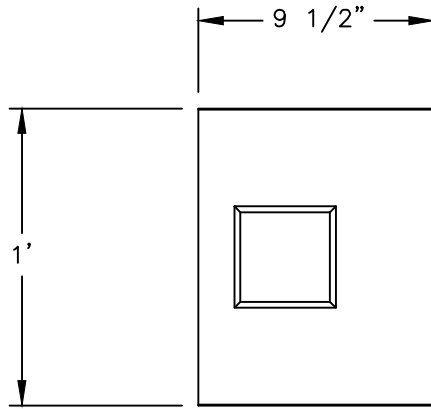
OPTIONS

- PEC1-E Photocell-Electronic 120-277 Volt
- FHS Single Fuse and Holder-120,277 Volt
- LAMPS Select from List

NOTES:

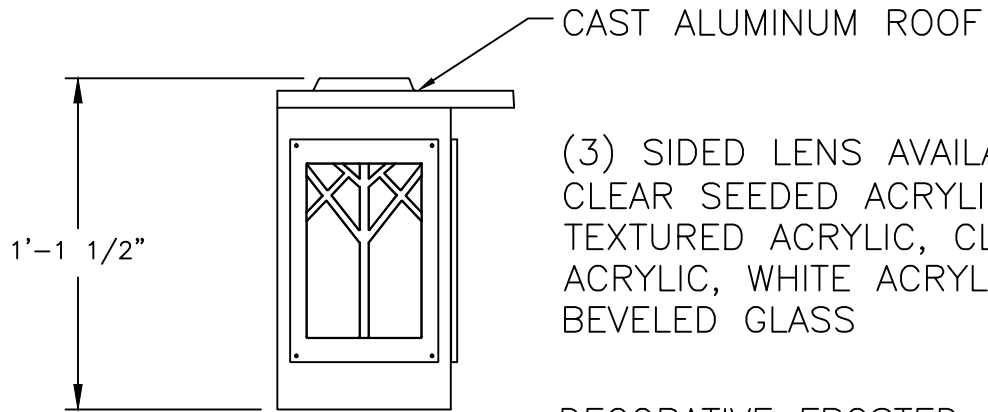
- ¹ 35HPS is 120 volt only.
- ² MED base only when used to house lamp.
- ³ Medium base sockets standard with ballasts up to 100 watts for HID. 4-pin for PL.
- ⁴ Metal halide systems are pulse start.

750WB PRAIRIE RESIDENTIAL SERIES



ALL ELECTRICAL COMPONENTS ARE U.L. OR E.T.L. LISTED IN USA AND CANADA.

FIXTURE WILL BE PREWIRED AND TESTED.



(3) SIDED LENS AVAILABLE IN CLEAR SEEDED ACRYLIC, CLEAR TEXTURED ACRYLIC, CLEAR ACRYLIC, WHITE ACRYLIC OR BEVELED GLASS

DECORATIVE FROSTED CHIMNEY WITH MEDIUM BASE SOCKET OR DECORATIVE FROSTED CHIMNEY WITH FLUORESCENT SOCKET OR 3-LIGHT CLUSTER

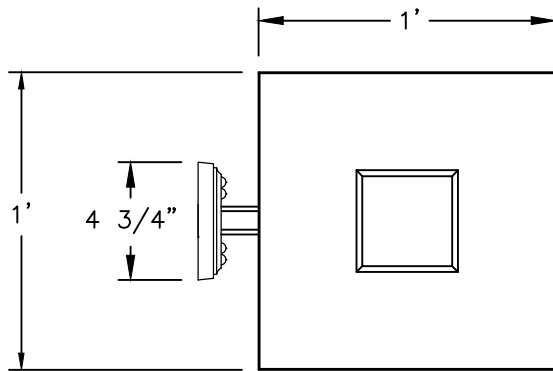
STERNBERG
SINCE 1923

750WB

3/16"=1'

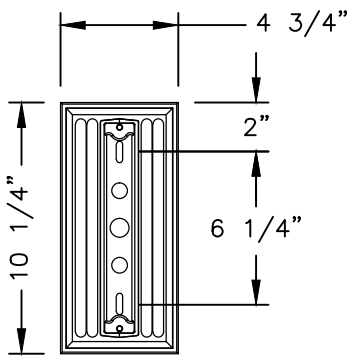
DRAWN LMG
DRAWN DATE MAR 23 2012
DRAWING NUMBER

750/77WB PRAIRIE RESIDENTIAL SERIES

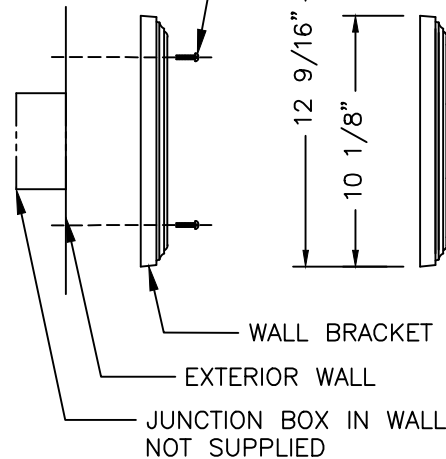


ALL ELECTRICAL COMPONENTS ARE U.L. OR E.T.L. LISTED IN USA AND CANADA.

FIXTURE WILL BE PREWIRED AND TESTED.



MOUNTING HARDWARE BY OTHERS



14 1/2"

CAST ALUMINUM ROOF

(3) SIDED LENS AVAILABLE IN CLEAR SEEDED ACRYLIC, CLEAR TEXTURED ACRYLIC, CLEAR ACRYLIC, WHITE ACRYLIC OR BEVELED GLASS

DECORATIVE FROSTED CHIMNEY WITH MEDIUM BASE SOCKET OR DECORATIVE FROSTED CHIMNEY WITH FLUORESCENT SOCKET OR 3-LIGHT CLUSTER

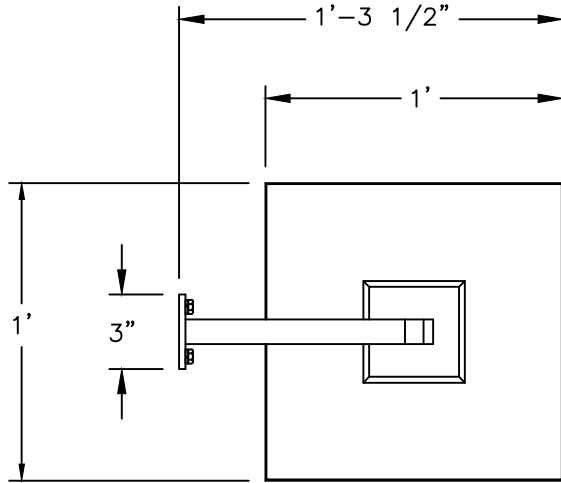
(2) 1/4-20 X 1 1/8" RHMS



750/77WB

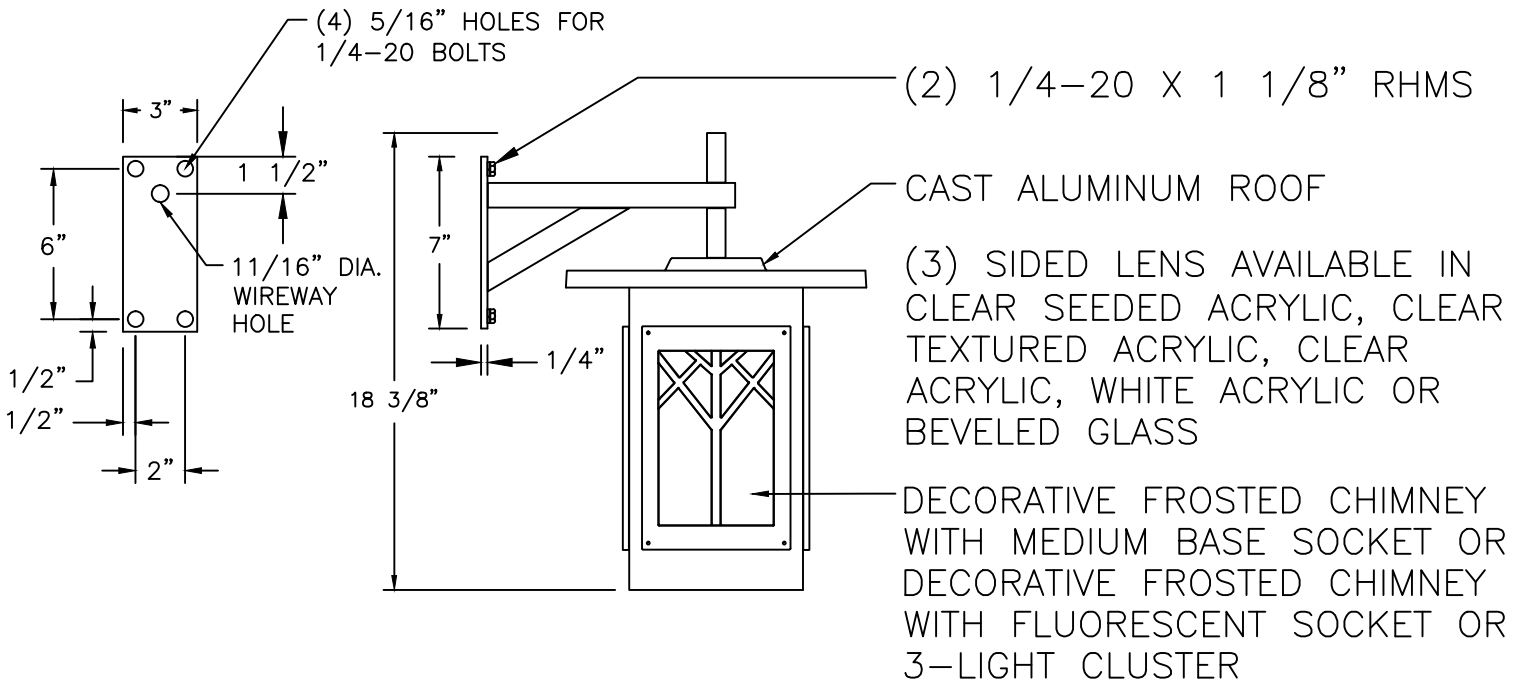
3/16"=1'	DRAWN	LMG
	DRAWN DATE	MAR 23 2012
		DRAWING NUMBER

750/HMA3 PRAIRIE RESIDENTIAL SERIES



ALL ELECTRICAL COMPONENTS ARE U.L. OR E.T.L. LISTED IN USA AND CANADA.

FIXTURE WILL BE PREWIRED AND TESTED.



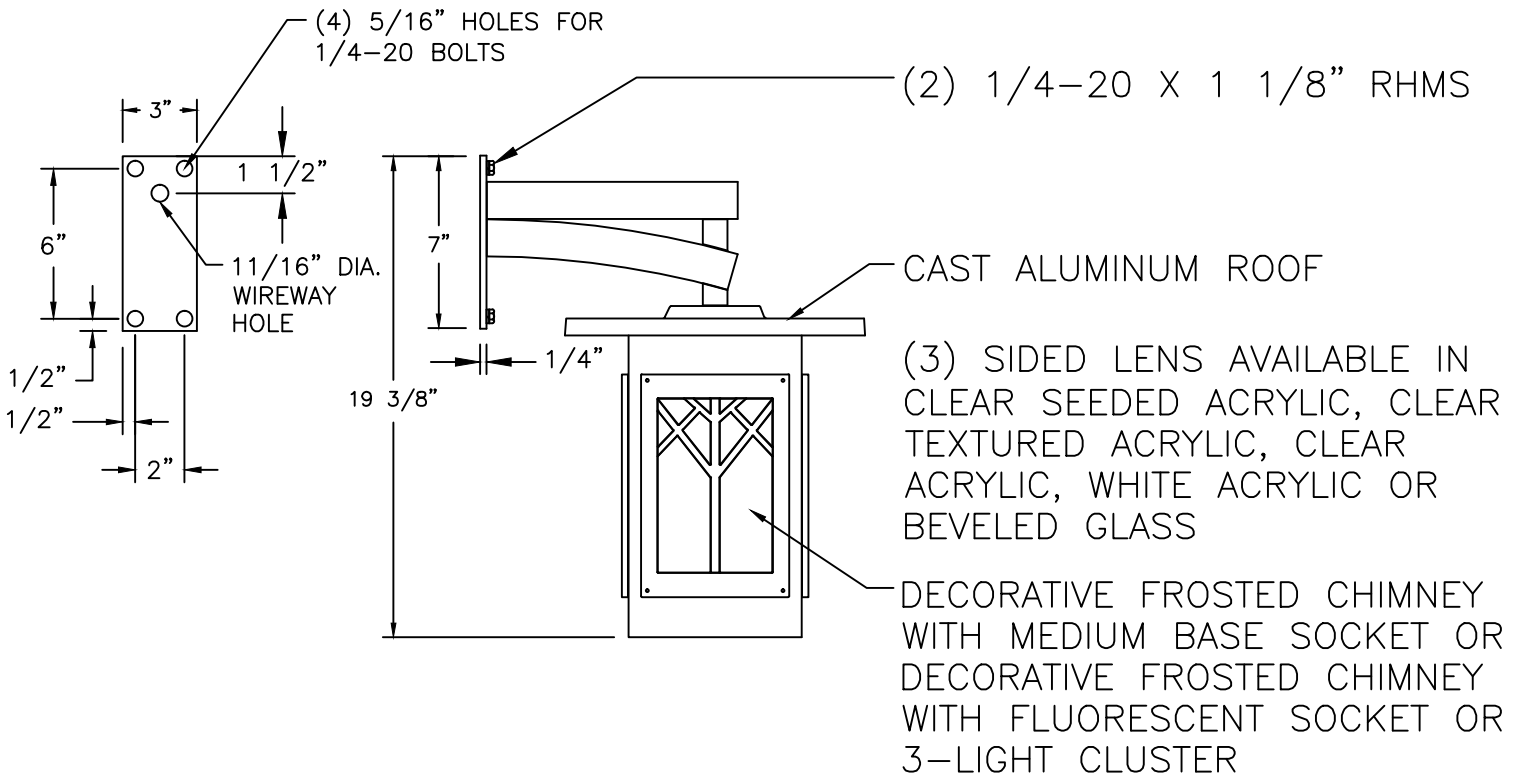
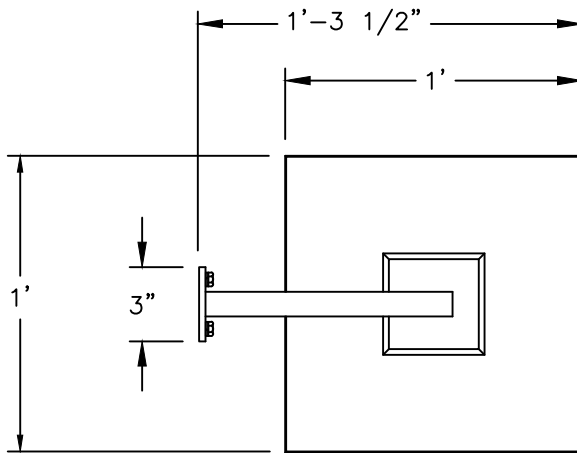
750/HMA3

3/16"=1'	DRAWN	LMG
	DRAWN DATE	MAR 23 2012
		DRAWING NUMBER

750/TPS3 PRAIRIE RESIDENTIAL SERIES

ALL ELECTRICAL COMPONENTS ARE U.L. OR E.T.L. LISTED IN USA AND CANADA.

FIXTURE WILL BE PREWIRED AND TESTED.

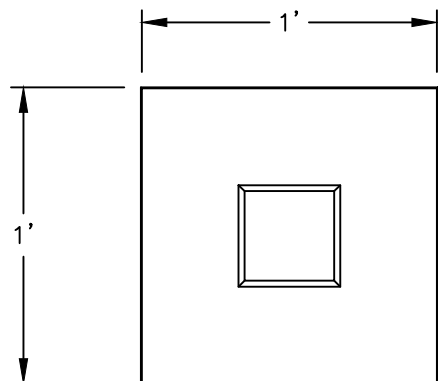


STERNBERG
SINCE 1923

750/TPS3

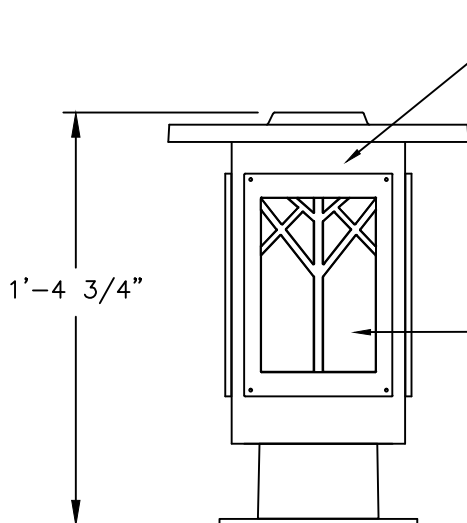
DRAWN LMG
 3/16"=1'
 DRAWN DATE MAR 23 2012
 DRAWING NUMBER

750/PB PRAIRIE RESIDENTIAL SERIES



ALL ELECTRICAL COMPONENTS ARE U.L. OR E.T.L. LISTED IN USA AND CANADA.

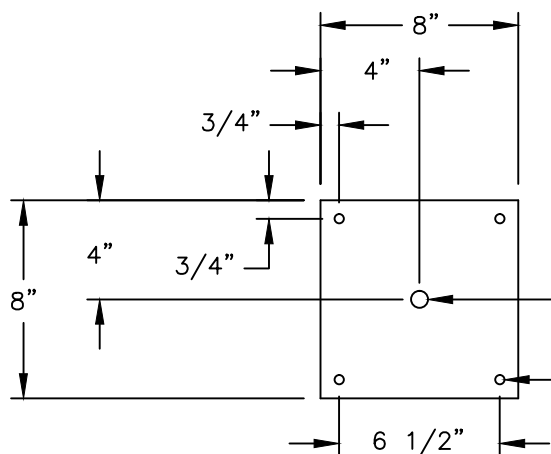
FIXTURE WILL BE PREWIRED AND TESTED.



CAST ALUMINUM ROOF

(3) SIDED LENS AVAILABLE IN CLEAR SEEDED ACRYLIC, CLEAR TEXTURED ACRYLIC, CLEAR ACRYLIC, WHITE ACRYLIC OR BEVELED GLASS

DECORATIVE FROSTED CHIMNEY WITH MEDIUM BASE SOCKET OR DECORATIVE FROSTED CHIMNEY WITH FLUORESCENT SOCKET OR 3-LIGHT CLUSTER



11/16" WIRE WAY HOLE

(4) 3/8" DIA. MOUNTING HOLES

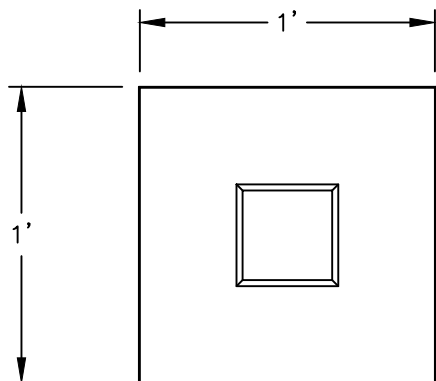


750/PB

3/16"=1'

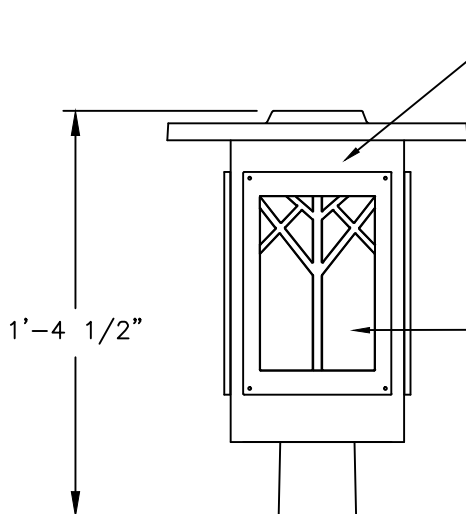
DRAWN LMG
 DRAWN DATE DEC 8 2011
 DRAWING NUMBER

750PT PRAIRIE RESIDENTIAL SERIES



ALL ELECTRICAL COMPONENTS ARE U.L. OR E.T.L. LISTED IN USA AND CANADA.

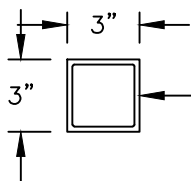
FIXTURE WILL BE PREWIRED AND TESTED.



CAST ALUMINUM ROOF

(3) SIDED LENS AVAILABLE IN CLEAR SEEDED ACRYLIC, CLEAR TEXTURED ACRYLIC, CLEAR ACRYLIC, WHITE ACRYLIC OR BEVELED GLASS

DECORATIVE FROSTED CHIMNEY WITH MEDIUM BASE SOCKET OR DECORATIVE FROSTED CHIMNEY WITH FLUORESCENT SOCKET OR 3-LIGHT CLUSTER



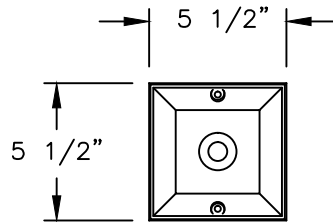
TO SLIP FIT 4" SQUARE TENON



750PT

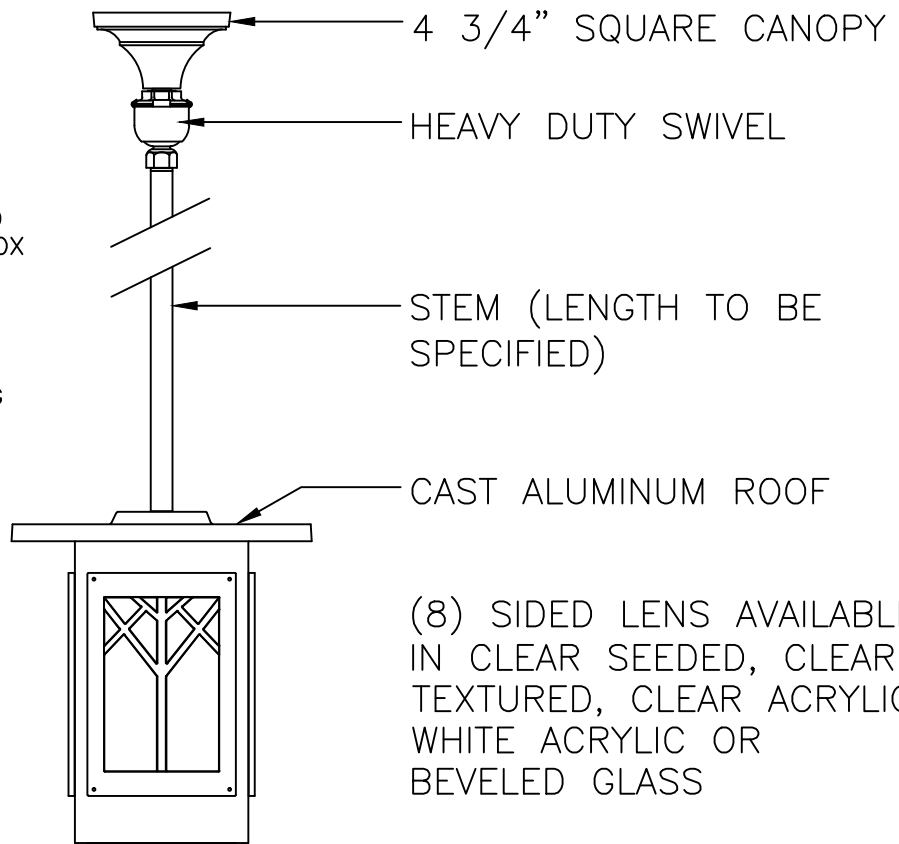
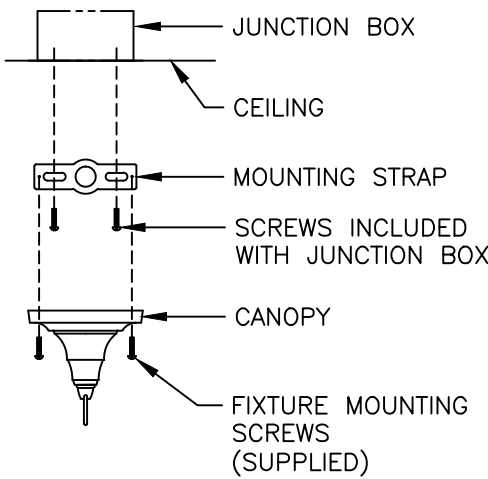
3/16"=1'	DRAWN LMG DRAWN DATE DEC 8 2011
	DRAWING NUMBER

750HSH27 PRAIRIE RESIDENTIAL SERIES



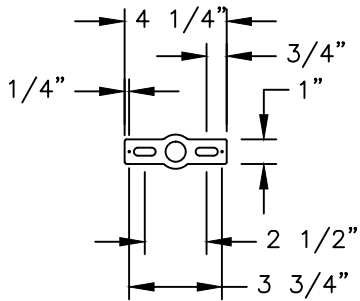
ALL ELECTRICAL COMPONENTS ARE U.L. OR E.T.L. LISTED IN USA AND CANADA.

FIXTURE WILL BE PREWIRED AND TESTED.



(8) SIDED LENS AVAILABLE IN CLEAR SEEDED, CLEAR TEXTURED, CLEAR ACRYLIC, WHITE ACRYLIC OR BEVELED GLASS

DECORATIVE FROSTED CHIMNEY WITH MEDIUM BASE SOCKET OR DECORATIVE FROSTED CHIMNEY WITH FLUORESCENT SOCKET OR 3-LIGHT CLUSTER



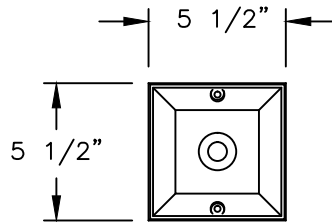
MOUNTING STRAP



750HSH27

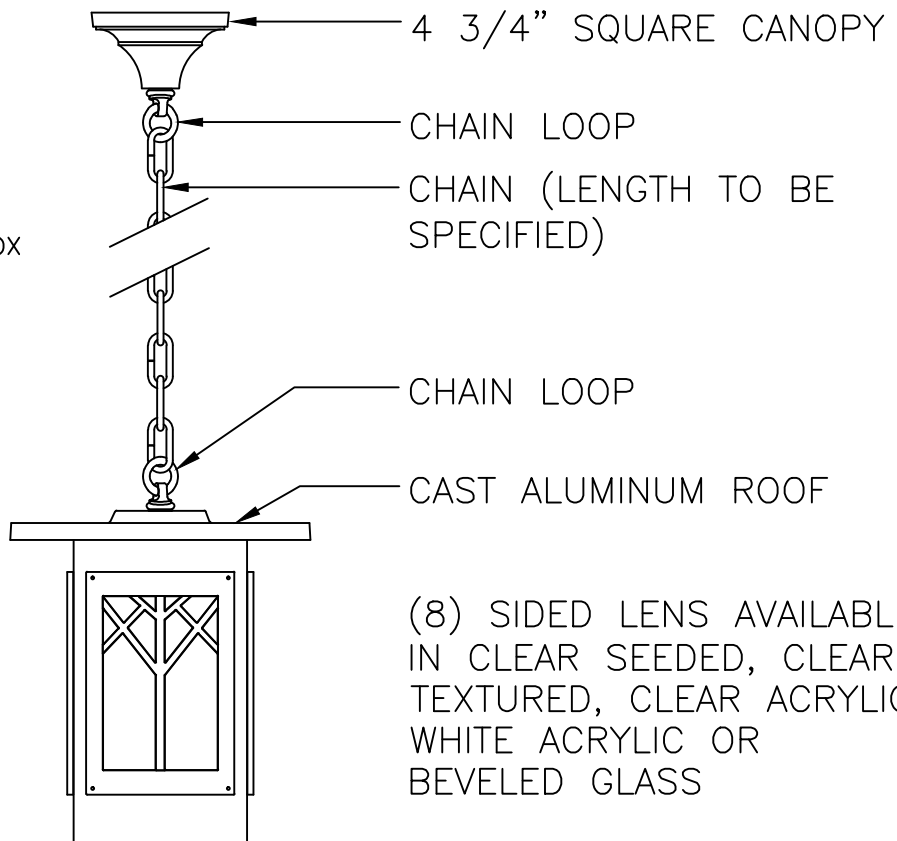
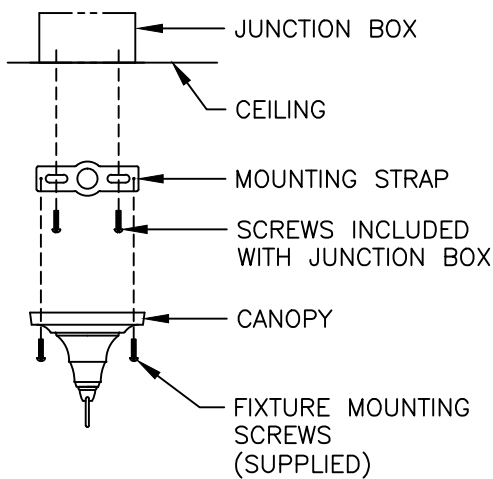
3/16"=1'	DRAWN	LMG
	DRAWN DATE	NOV 29 2011
		DRAWING NUMBER

750HCH27 PRAIRIE RESIDENTIAL SERIES



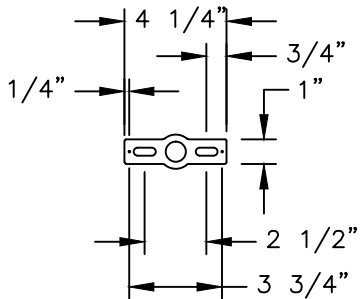
ALL ELECTRICAL COMPONENTS ARE U.L. OR E.T.L. LISTED IN USA AND CANADA.

FIXTURE WILL BE PREWIRED AND TESTED.



(8) SIDED LENS AVAILABLE IN CLEAR SEEDED, CLEAR TEXTURED, CLEAR ACRYLIC, WHITE ACRYLIC OR BEVELED GLASS

DECORATIVE FROSTED CHIMNEY WITH MEDIUM BASE SOCKET OR DECORATIVE FROSTED CHIMNEY WITH FLUORESCENT SOCKET OR 3-LIGHT CLUSTER



MOUNTING STRAP



750HCH27

3/16"=1'	DRAWN	LMG
	DRAWN DATE	NOV 29 2011
		DRAWING NUMBER