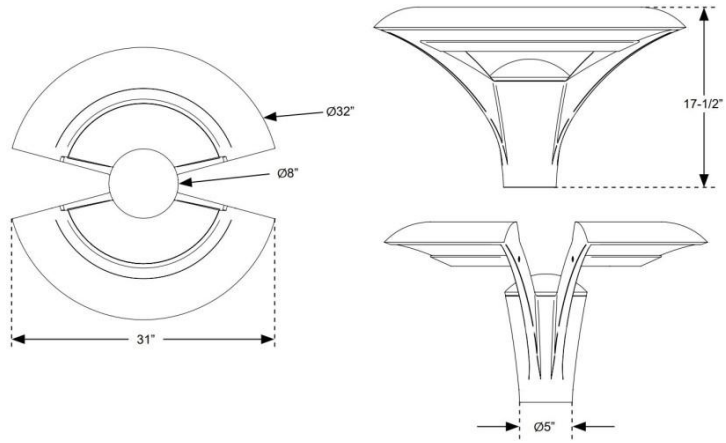
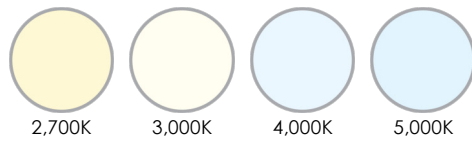


Project Name _____ Qty _____

Type _____ Catalog / Part Number _____



CCT - Color Temperature (K)



7 Year Warranty



IP Rating



Certifications



Description

Designed to elegantly flare from a 5" round pole, the LU760 is constructed of high quality die cast aluminum and is the solution for area lighting on poles ranging in height from 14' to 18'. The smooth symmetrical output can be tailored to your site requirements. Its SoftVue™ lens and indirect optical design are specifically engineered to maximize visual comfort at lower mounting heights, closer to eye level.

EPA: 1.2 (ft²) | WEIGHT: 55 LBS

Features

Mounting Configuration	1W: Wall Mount 1A: 1 Arm Mount 2A: 2 Arm Mount @ 180°	PT: Post Top 1APT: 1 Arm & Post Top 2APT: 2 Arm @ 180° & Post Top
Optional Control Receptacle	R7: 7-Pin control receptacle only	
Optional Control	PE: Twist-Lock Photocontrol (120V-277V) PE4: Twist-Lock Photocontrol (347V-480V) SC: Shorting Cap PEC: Electronic Button Photocontrol (120V-277V) PEC4: Electronic Button Photocontrol (480V)	
Optional Fuse	FHD: Double Fuse and Holder	
Optional Fixed Dimming Resistor Board	FDRB: Fixed Dimming Resistor Board	

Physical

Fixture	LU760: LU760	
Lens	SV2: Flat Soft Vue Moderate Diffused Acrylic	
Finish	UGMT: Urban Gun Metal Textured UB: Urban Bronze Matte USL: Urban Silver Matte UWH: Urban White Matte CM: Custom Match	UGM: Urban Gun Metal Matte UBT: Urban Bronze Textured USLT: Urban Silver Textured UWHT: Urban White Textured BKT: Black Textured

Light Source

LED	96L: 96 LEDs	
CCT - Color Temperature (K)	27: 2,700K	30: 3,000K
	40: 4,000K	50: 5,000K
	Distribution Type	
	TS: Type Symmetric	

Electrical and control

Driver	MDL02: 120V-277V, 225mA	MDH02: 347V-480V, 225mA
	MDL03: 120V-277V, 300mA	MDH03: 347V-480V, 300mA
	MDL04: 120V-277V, 400mA	MDH04: 347V-480V, 400mA

Specifications

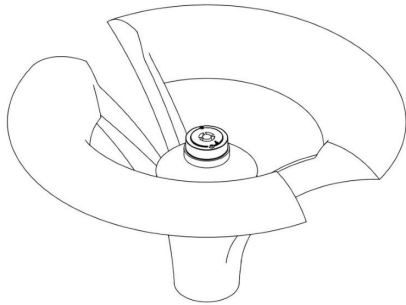
Fitter	The fitter shall be heavy wall cast aluminum for high tensile strength. It includes 4 stainless steel Allen-head set screws for attachment to a pole/tenon, and shall slip fit a 3" OD x 3" tall tenon.
Comfortable Optics	SoftVue™ lens provides optimal visual comfort
UL Listing	UL listed per UL1598 for Wet Locations and CSA 22.2 No. 250.0 for the US and Canada.
Electronic Driver	The LED driver shall be securely mounted inside the fixture, for optimized performance and longevity and shall be U.L. Recognized. It shall be supplied with a quick-disconnect electrical connector on the power supply, providing easy power connections and fixture installation. It shall have overload, overheat and short circuit protection, and have a DC voltage output, constant current design, 50/60HZ. It shall be supplied with line-ground, line-neutral and neutral-ground electrical surge protection in accordance with IEEE/ANSI C62.41.2 guidelines. It shall be a high efficiency driver with a THD less than 20% and a high power factor greater than .9. It shall be dimming capable using a 0-10v signal, consult factory for more information.
IP Rating	IP65 rated
Finish	6 Stage Polyester Powdercoat paint system.
Urban Finish	Urban paint finishes are available in Sternberg Lighting's Urbanline products and create a modern, elegant aesthetic. Finishes are available in textured or matte.
Warranty	7-year limited warranty (See Website for Terms and Conditions.)
LEDs	The luminaire shall use high output, high brightness LEDs. The LEDs are mounted to maximize thermal transfer to the heat sink surface. The LEDs shall be 100% recyclable; not contain lead, mercury or any other hazardous substances and shall be RoHS compliant. Lumen maintenance shall be determined in accordance with IESNA TM-21, based on LED manufacturer LM-80 test data of no less than 6,000 hours and in-situ testing of the luminaire by an NVLAP accredited Energy Efficient Lighting Products lab. The high-performance white LEDs will have a predicted lumen depreciation of approximately 100,000 hours with greater than 70% of initial output at 25°C. The high-brightness, high-output white LEDs shall be 4000K nominal (2700K, 3000K or 5000K optional) correlated color temperature (CCT) with a 70 (minimum) color rendering index (CRI). Consult factory for custom CCT or CRI. The luminaire shall have a minimum _____ (see table) delivered initial lumens when operated at steady state with an average ambient temperature of 25°C (77°F). CCT Lumen Derate Values from 4,000K 2,700K (70+ CRI)=.91 3,000K (70+ CRI)=.96 5,000K (70+ CRI)=1.01
Optics	The optical system shall consist of a multipiece segmented optical image duplicating system using reflector pieces of polished Alzak™, the unit includes Sternberg's SoftVue™ lens system which provides unparalleled glare mitigation.
FDRB	Optional 10-step field adjustable dimming board. Includes step dimming options from 25%-100%. The unit is conformal coated and UL recognized for use in damp locations.

Photocontrols

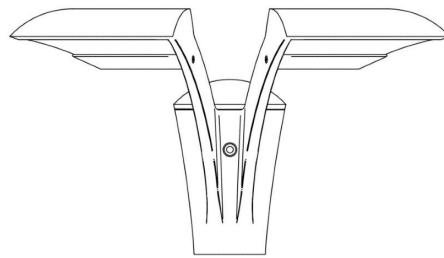
Button Photocell: The photocontrol shall be mounted on the fixture and pre-wired to driver. The electronic button type photocontrol is instant on with a 5-10 second turn off, and shall turn on at 1.5 footcandles with a turn-off at 2-3 footcandles. See pole spec sheet for pole mounted version.

Twist-Lock Style (Roof Mount): The photocontrol shall be mounted on the roof and prewired to driver. The twist lock type photocontrol is instant on with a 3-6 second turn off, and shall turn on at 1.5 footcandles with a turnoff at 2-3 footcandles. Photocontrol is 120-277 volt.

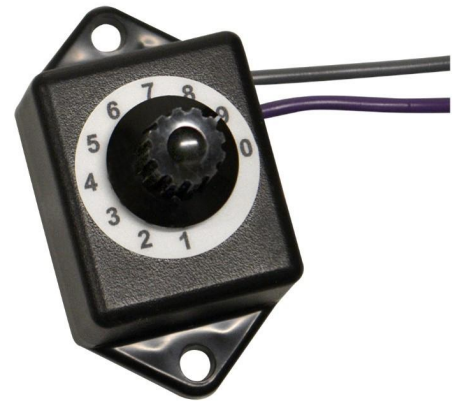
Options



7-Pin Control Receptacle with Photocell (**R7-PE/PE4**)



Button Photocell (**PEC/PEC4**)



Fixed Dimming Resistor Board (**FDRB**)

Lumen Chart(s)

Tested with SV2 lens

Model #	DELIVERED LUMENS	BUG	EFFICACY (LPW)	WATTAGE
96L40T_-MDL04	7380	B3U3G3	49.9	148
96L30T_-MDL04	7060	B3U3G3	47.7	148
96L27T_-MDL04	6740	B3U3G3	45.5	148
96L40T_-MDL03	6045	B3U3G3	59.3	102
96L30T_-MDL03	5780	B3U3G3	56.7	102
96L27T_-MDL03	5520	B3U3G3	54.1	102
96L40T_-MDL02	4865	B2U3G2	64.9	75
96L30T_-MDL02	4655	B2U3G2	62.1	75
96L27T_-MDL02	4440	B2U3G2	59.2	75

How to order

Mounting Configuration	Fixture	LED	CCT - Color Temperature (K)	Distribution Type	Driver	Lens
1W Wall Mount PT Post Top 1A 1 Arm Mount 1APT 1 Arm & Post Top 2A 2 Arm Mount @ 180° 2APT 2 Arm @ 180° & Post Top	LU760 LU760	96L 96 LEDs	27 2,700K 30 3,000K 40 4,000K 50 5,000K	TS Type Symmetric	MDL02 120V-277V, 225mA MDH02 347V-480V, 225mA MDL03 120V-277V, 300mA MDH03 347V-480V, 300mA MDL04 120V-277V, 400mA MDH04 347V-480V, 400mA	SV2 Flat Soft Vue Moderate Diffused Acrylic

How to order

Optional Control Receptacle ⁽¹⁾	Optional Control	Optional Fuse	Optional Fixed Dimming Resistor Board	Finish ⁽⁴⁾
R7 7-Pin control receptacle only	PE Twist-Lock Photocontrol (120V-277V) ⁽²⁾ PE4 Twist-Lock Photocontrol (347V-480V) ⁽²⁾ SC Shorting Cap ⁽²⁾ PEC Electronic Button Photocontrol (120V-277V) ⁽³⁾ PEC4 Electronic Button Photocontrol (480V) ⁽³⁾	FHD Double Fuse and Holder	FDRB Fixed Dimming Resistor Board	UGMT Urban Gun Metal Textured UGM Urban Gun Metal Matte UBT Urban Bronze Textured UB Urban Bronze Matte USLT Urban Silver Textured USL Urban Silver Matte UWHT Urban White Textured UWH Urban White Matte BKT Black Textured CM Custom Match ⁽⁵⁾

Notes:

- 1. Not for use with FDRB.
- 2. Requires control receptacle.
- 3. Not for use with R7.

- 4. Smooth finishes are available upon request.
- 5. Custom colors require upcharge.