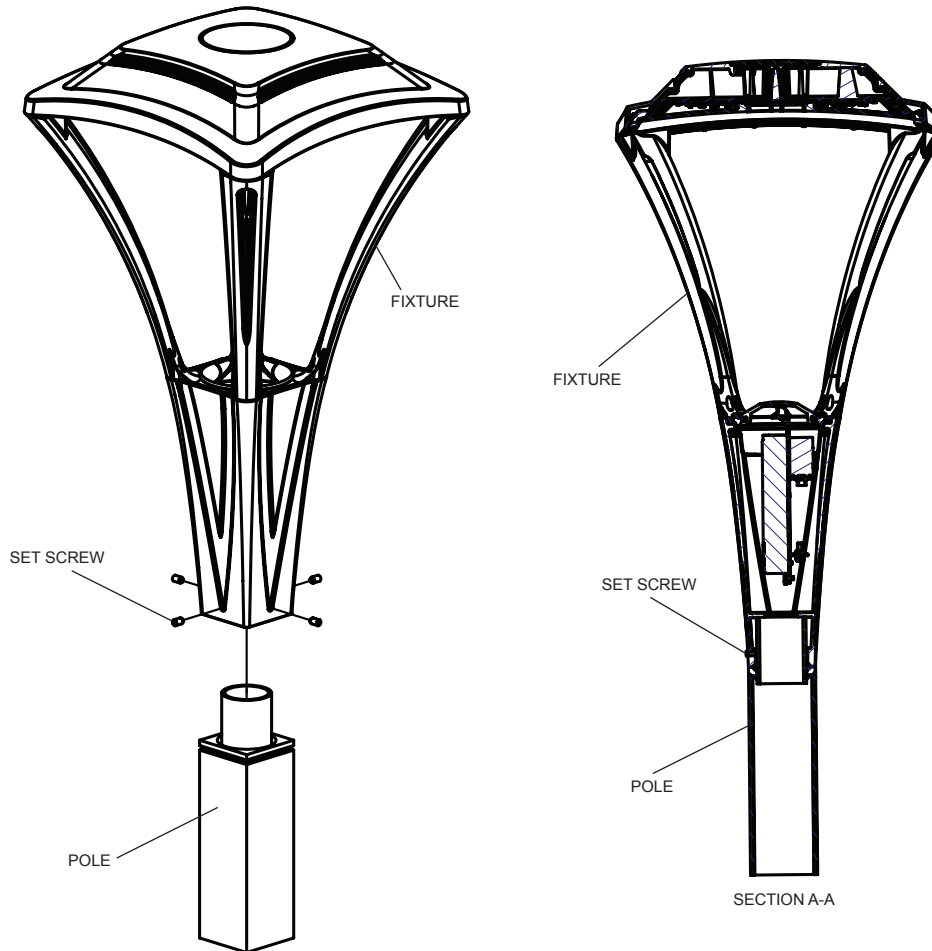


## ML660 / ML760 POST TOP INSTALLATION INSTRUCTIONS

**WARNING:** TO AVOID FIRE, SHOCK OR DEATH, TURN OFF AND LOCKOUT POWER BEFORE PERFORMING ANY MAINTENANCE.

**CAUTION:** THIS FIXTURE MUST BE WIRED IN ACCORDANCE WITH THE NATIONAL ELECTRIC CODE AND ALL APPLICABLE LOCAL CODES. PROPER GROUNDING IS REQUIRED. ALL WORK SHOULD BE DONE BY A QUALIFIED ELECTRICIAN.



### STEP 1

Connect supply wires to fixture wires.

### STEP 2

Slide fixture onto pole.

### STEP 3

Secure fixture onto post with the four set screws provided.

#### WIRING SCHEMATIC



**NOTE:** POLE MUST BE PROPERLY GROUNDED. TO ENSURE PROTECTION, THE EARTH GROUND WIRE (GREEN) MUST ALSO BE CONNECTED TO THE POLE GROUND LUG. FAILURE TO DO SO CAN REDUCE OR ELIMINATE SURGE PROTECTION, RESULTING IN POSSIBLE DAMAGE TO THE LUMINAIRE.



**SternbergLighting**

ESTABLISHED 1923 / EMPLOYEE OWNED

800-621-3376  
555 Lawrence Ave., Roselle, IL 60172  
info@sternberglighting.com  
www.sternberglighting.com