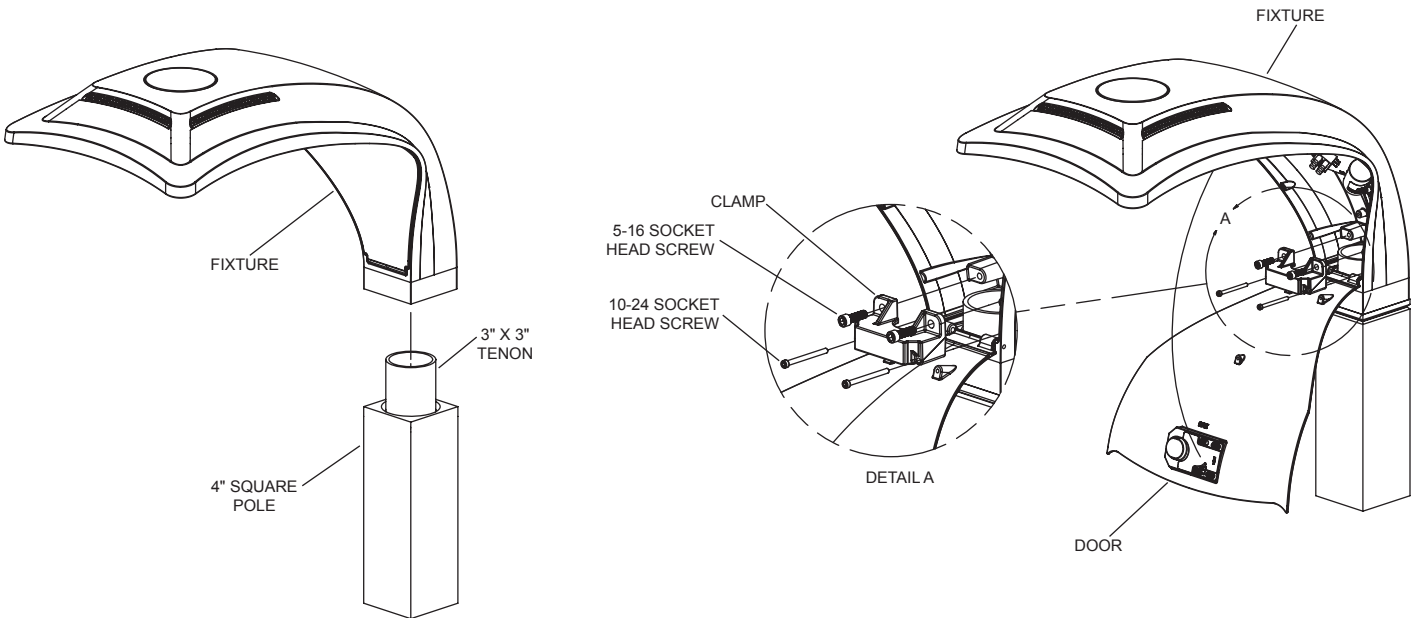


ML640 VERTICAL TENON MOUNT INSTALLATION INSTRUCTIONS

WARNING: TO AVOID FIRE, SHOCK OR DEATH, TURN OFF AND LOCKOUT POWER BEFORE PERFORMING ANY MAINTENANCE.

CAUTION: THIS FIXTURE MUST BE WIRED IN ACCORDANCE WITH THE NATIONAL ELECTRIC CODE AND ALL APPLICABLE LOCAL CODES. PROPER GROUNDING IS REQUIRED. ALL WORK SHOULD BE DONE BY A QUALIFIED ELECTRICIAN.



STEP 1

Place the fixture on top of the tenon.

STEP 2

Open the door and secure fixture by tightening the clamp onto the tenon with (2) 10-24 socket head screws thru the clamp, and into the fixture casting.

STEP 3

Tighten the remaining (2) 5-16 socket head screws until fixture is fully secure.

STEP 4

Connect the supply wires to fixture terminal block.

STEP 5

Close the door.

WIRING SCHEMATIC

FIXTURE	BLACK	L1
	WHITE	L2
	GREEN	GROUND

NOTE: POLE MUST BE PROPERLY GROUNDED. TO ENSURE PROTECTION, THE EARTH GROUND WIRE (GREEN) MUST ALSO BE CONNECTED TO THE POLE GROUND LUG. FAILURE TO DO SO CAN REDUCE OR ELIMINATE SURGE PROTECTION, RESULTING IN POSSIBLE DAMAGE TO THE LUMINAIRE.



SternbergLighting

ESTABLISHED 1923 / EMPLOYEE OWNED

800-621-3376
555 Lawrence Ave., Roselle, IL 60172
info@sternberglighting.com
www.sternberglighting.com