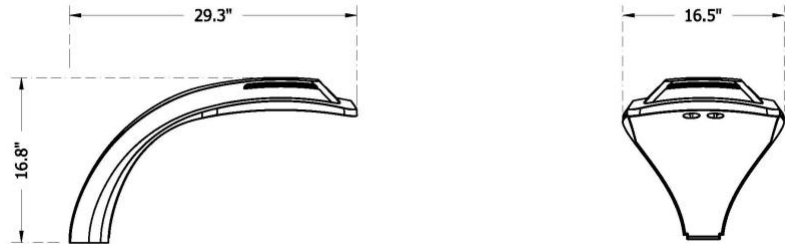
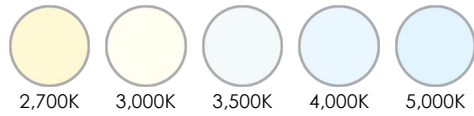


Project Name \_\_\_\_\_ Qty \_\_\_\_\_

Type \_\_\_\_\_ Catalog / Part Number \_\_\_\_\_



**CCT - Color Temperature (K)**



**7 Year Warranty**



**Certifications**



**Description**

The Millenia™ ML640 medium vertical tenon mount luminaire is a breakthrough in modern area lighting technology. Its new world urban design transcends traditional lighting convention by seamlessly interweaving form and function to yet another level. Available with a myriad of options, the Millenia™ is perfect for commercial, institutional and municipal markets.  
**EPA: 1.4 (#2) | WEIGHT: 30 LBS**

**Features**

<b>Mounting Configuration</b>	<b>PT:</b> Post Top
<b>Optional Fuse</b>	<b>FHD:</b> Double Fuse and Holder
<b>Optional House Side Shield</b>	<b>HSS:</b> 120° House Side Shield <b>BLOC:</b> Back Light Optical Control
<b>Optional Fixed Dimming Resistor Board</b>	<b>FDRB:</b> Fixed Dimming Resistor Board

**Physical**

<b>Fixture</b>	<b>ML640:</b> ML640	
<b>Lens</b>	<b>CA:</b> Clear Acrylic <b>SV1:</b> Flat Soft Vue Light Diffused Acrylic <b>SV2:</b> Flat Soft Vue Moderate Diffused Acrylic	
<b>Finish</b>	<b>UGMT:</b> Urban Gun Metal Textured <b>UB:</b> Urban Bronze Matte <b>USL:</b> Urban Silver Matte <b>UWH:</b> Urban White Matte <b>CM:</b> Custom Match	<b>UGM:</b> Urban Gun Metal Matte <b>UBT:</b> Urban Bronze Textured <b>USLT:</b> Urban Silver Textured <b>UWHT:</b> Urban White Textured <b>BKT:</b> Black Textured

**Light Source**

<b>LED</b>	<b>24L:</b> 24 LEDs <b>12L:</b> 12 LEDs	<b>16L:</b> 16 LEDs
------------	--	---------------------

<b>CCT - Color Temperature (K)</b>	<b>27:</b> 2,700K	<b>30:</b> 3,000K
	<b>35:</b> 3,500K	<b>40:</b> 4,000K
	<b>50:</b> 5,000K	
<b>Distribution Type</b>	<b>T2:</b> Type 2	<b>T3:</b> Type 3
	<b>T4:</b> Type 4	<b>T5:</b> Type 5

**Electrical and control**

<b>Driver</b>	<b>MDL018:</b> 120V-277V, 180mA	<b>MDH018:</b> 347V-480V, 180mA
	<b>MDL014:</b> 120V-277V, 140mA	<b>MDH014:</b> 347V-480V, 140mA
	<b>MDL008:</b> 120V-277V, 80mA	<b>MDH008:</b> 347V-480V, 80mA

**Specifications**

<b>Fitter</b>	The fitter shall be heavy wall cast aluminum for high tensile strength. It includes 4 stainless steel Allen-head set screws for attachment to a pole/tenon, and shall slip fit a 3" OD x 3" tall tenon.
<b>Comfortable Optics</b>	SoftVue™ lens provides optimal visual comfort
<b>UL Listing</b>	UL listed per UL1598 for Wet Locations and CSA 22.2 No. 250.0 for the US and Canada.
<b>Electronic Driver</b>	The LED driver shall be securely mounted inside the fixture, for optimized performance and longevity and shall be U.L. Recognized. It shall be supplied with a quick-disconnect electrical connector on the power supply, providing easy power connections and fixture installation. It shall have overload, overheat and short circuit protection, and have a DC voltage output, constant current design, 50/60HZ. It shall be supplied with line-ground, line-neutral and neutral-ground electrical surge protection in accordance with IEEE/ANSI C62.41.2 guidelines. It shall be a high efficiency driver with a THD less than 20% and a high power factor greater than .9. It shall be dimming capable using a 0-10v signal, consult factory for more information.
<b>NightSky® Friendly</b>	Night-Sky Compliant with a U0 BUG rating
<b>Finish</b>	6 Stage Polyester Powdercoat paint system.
<b>Urban Finish</b>	Urban paint finishes are available in Sternberg Lighting's Urbanline products and create a modern, elegant aesthetic. Finishes are available in textured or matte.
<b>Warranty</b>	7-year limited warranty (See Website for Terms and Conditions.)
<b>LEDs</b>	The luminaire shall be fully shielded and use high output, high brightness LEDs in a downward position to maximize efficiency. The LEDs are mounted to maximize thermal transfer to the heat sink surface. The LEDs shall be 100% recyclable; not contain lead, mercury or any other hazardous substances and shall be RoHS compliant. Lumen maintenance shall be determined in accordance with IESNA TM-21, based on LED manufacturer LM-80 test data of no less than 6,000 hours and in-situ testing of the luminaire by an NVLAP accredited Energy Efficient Lighting Products lab. The high-performance white LEDs will have a predicted lumen depreciation of approximately 100,000 hours with greater than 70% of initial output at 25°C. The high brightness, high-output white LEDs shall be 4000K nominal (2700K, 3000K, 3500K or 5000K optional) correlated color temperature (CCT) with a 70 (minimum) color rendering index (CRI). Consult factory for custom CCT or CRI. The luminaire shall have a minimum _____ (see table) delivered initial lumens when operated at steady state with an average ambient temperature of 25°C (77°F). <b>CCT Lumen Derate Values from 4,000K</b> 2,700K (70+ CRI)=.92 3,000K (70+ CRI)=.95 3,500K (70+ CRI)=.97 5,000K (70+ CRI)=1.00
<b>Optics</b>	The luminaire shall be provided with individual, refractor type optics applied to each LED. The luminaire shall provide Type ____ (2, 3, 4 or 5) light distribution per the IESNA classifications. Testing shall be done in accordance with IESNA LM-79.

**Backlight Optical Control**

**BLOC Optic (BLOC):** An optional "Back Light Optical Control" shield can be provided at the factory. This is an internal optic level "House Side Shield" offering significantly reduced backlight and glare while maintaining the original design aesthetics of the luminaire.

**External House Side Shield (HSS):** An optional external 120° House Side Shield helps control backlight. Spun aluminum panel painted to match fixture.

**FDRB**

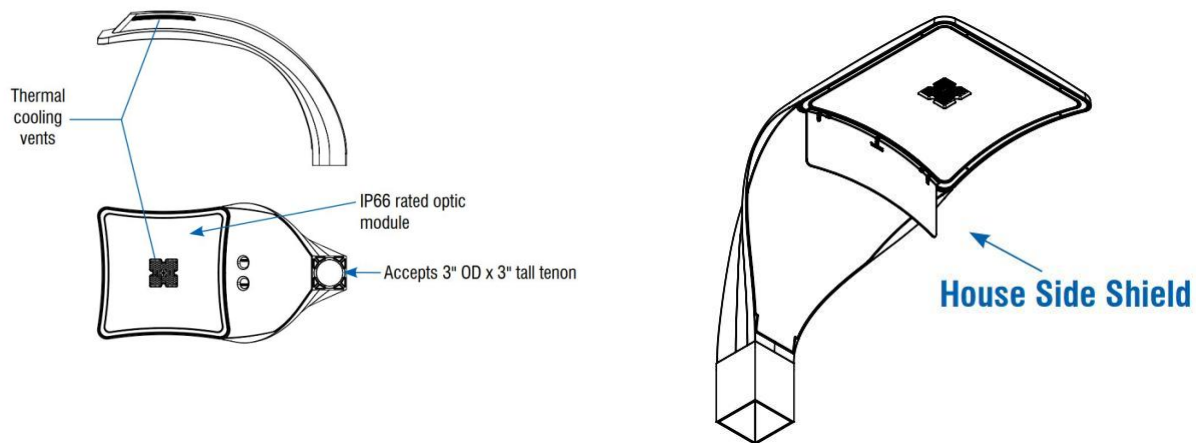
10-step field adjustable dimming board. Includes step dimming options from 25%-100%. The unit is conformal coated and UL recognized for use in damp locations.

**Lumen Chart(s)**

Tested with CA lens

Model #	T2 DELIVERED LUMENS	BUG	EFFICACY (LPW)	T3 DELIVERED LUMENS	BUG	EFFICACY (LPW)	T4 DELIVERED LUMENS	BUG	EFFICACY (LPW)	T5 DELIVERED LUMENS	BUG	EFFICACY (LPW)	WATTAGE
24L40T_-MDL014	9935	B2U0G2	111.6	9965	B2U0G2	112.0	9420	B2U0G2	105.8	9820	B3U0G1	110.3	89
24L30T_-MDL014	9475	B2U0G2	106.5	9500	B2U0G2	106.7	8980	B2U0G2	100.9	9365	B3U0G1	105.2	89
24L27T_-MDL014	8565	B2U0G2	96.2	8590	B2U0G2	96.5	8120	B2U0G2	91.2	8465	B3U0G1	95.1	89
16L40T_-MDL018	8460	B2U0G2	105.8	8525	B1U0G1	106.6	8130	B1U0G1	101.6	8395	B2U0G1	104.9	80
16L30T_-MDL018	8065	B2U0G2	100.8	8130	B1U0G1	101.6	7750	B1U0G1	96.9	8005	B2U0G1	100.1	80
16L27T_-MDL018	7295	B2U0G2	91.2	7350	B1U0G1	91.9	7010	B1U0G1	87.6	7235	B2U0G1	90.4	80
12L40T_-MDL018	6265	B1U0G1	102.7	6330	B1U0G1	103.8	6025	B1U0G1	98.8	6230	B2U0G2	102.1	61
12L30T_-MDL018	5975	B1U0G1	98.0	6035	B1U0G1	98.9	5745	B1U0G1	94.2	5940	B2U0G2	97.4	61
12L27T_-MDL018	5400	B1U0G1	88.5	5455	B1U0G1	89.4	5195	B1U0G1	85.2	5370	B2U0G2	88.0	61
12L40T_-MDL014	5140	B1U0G1	109.4	5195	B1U0G1	110.5	4980	B1U0G1	106.0	5110	B2U0G2	108.7	47
12L30T_-MDL014	4900	B1U0G1	104.3	4955	B1U0G1	105.4	4750	B1U0G1	101.1	4870	B2U0G2	103.6	47
12L27T_-MDL014	4430	B1U0G1	94.3	4480	B1U0G1	95.3	4295	B1U0G1	91.4	4405	B2U0G2	93.7	47
12L40T_-MDL008	3135	B1U0G1	116.1	3165	B1U0G1	117.2	3020	B1U0G1	111.9	3125	B1U0G1	115.7	27
12L30T_-MDL008	2990	B1U0G1	110.7	3020	B1U0G1	111.9	2880	B1U0G1	106.7	2980	B1U0G1	110.4	27
12L27T_-MDL008	2705	B1U0G1	100.2	2730	B1U0G1	101.1	2605	B1U0G1	96.5	2695	B1U0G1	99.8	27

**Other Features**



How to order

Mounting Configuration	Fixture	LED	CCT - Color Temperature (K)	Distribution Type	Driver	Lens	Optional Fuse	Optional House Side Shield <sup>(5)</sup>	Optional Fixed Dimming Resistor Board	Finish
PT Post Top	ML640 ML640	<b>24L</b> 24 LEDs	<b>27</b> 2,700K	<b>T2</b> Type 2	<b>MDL018</b> 120V-277V, 180mA <sup>(1)</sup>	<b>CA</b> Clear Acrylic	<b>FHD</b> Double Fuse and Holder <sup>(4)</sup>	<b>HSS</b> 120° House Side Shield	<b>FDRB</b> Fixed Dimming Resistor Board	<b>UGMT</b> Urban Gun Metal Textured
		<b>16L</b> 16 LEDs	<b>30</b> 3,000K	<b>T3</b> Type 3	<b>MDH018</b> 347V-480V, 180mA <sup>(1)</sup>	<b>SV1</b> Flat Soft Vue Light Diffused Acrylic				<b>UGM</b> Urban Gun Metal Matte
		<b>12L</b> 12 LEDs	<b>35</b> 3,500K	<b>T4</b> Type 4	<b>MDL014</b> 120V-277V, 140mA <sup>(2)</sup>	<b>SV2</b> Flat Soft Vue Moderate Diffused Acrylic				<b>UBT</b> Urban Bronze Textured
			<b>40</b> 4,000K	<b>T5</b> Type 5	<b>MDH014</b> 347V-480V, 140mA <sup>(2)</sup>					<b>UB</b> Urban Bronze Matte
			<b>50</b> 5,000K		<b>MDL008</b> 120V-277V, 80mA <sup>(3)</sup>					<b>USLT</b> Urban Silver Textured
					<b>MDH008</b> 347V-480V, 80mA <sup>(3)</sup>					<b>USL</b> Urban Silver Matte
										<b>UWHT</b> Urban White Textured
										<b>UWH</b> Urban White Matte
										<b>BKT</b> Black Textured
										<b>CM</b> Custom Match <sup>(6)</sup> <sup>(7)</sup>

Notes:

- 1. 16L or 12L system only.
- 2. 24L or 12L system only.
- 3. 12L system only.
- 4. Ships loose for installation in base.

- 5. Not for use with T5 optic.
- 6. Smooth finishes are available upon request.
- 7. Custom colors require upcharge.