

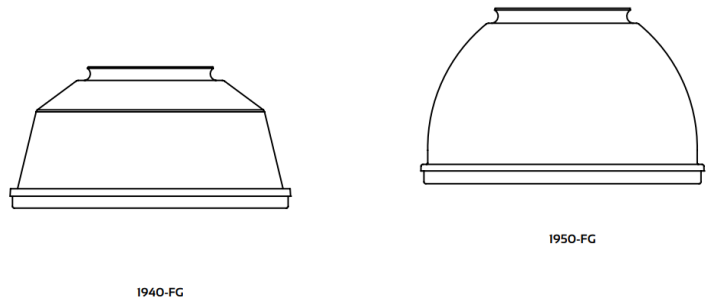


<b>Installation Instructions</b>	<b>Product: LED-1940(50) – GLENVIEW (MISSION TRAILS) Conversion Kit</b>
<b>Effective Date:</b> April 22, 2021	<b>Part Description:</b> Historical Fitter Downlights

	<b>WARNING:</b> To avoid fire, shock or death, turn off and lockout power before performing any maintenance.
	<b>CAUTION:</b> This Fixture must be wired in accordance with the National Electric Code (NEC) and all applicable local codes. Proper grounding is required. A qualified electrician must do all work.

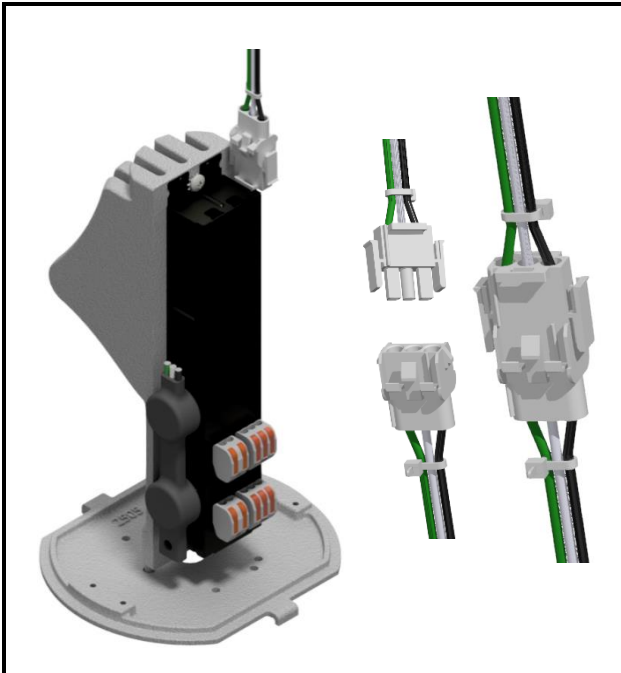


**STEP 1:** Unpack the Fixture-Driver Assembly. Handle with care. Recycle the empty packaging.  
OPTIONAL PER SPECIFICATION SHEETS CONFIGURATIONS:



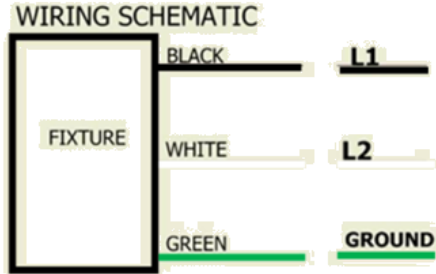
**STEP 2:** On existing HID fixture -

- 2.1. Loosen four Allen head set screws retaining the Shade assembly, but do not remove.
- 2.2. Remove Shade by carefully lowering down.
- 2.3. Remove all HID components - including lamp, socket, wires, reflectors, refractors, optics and ballast out of fitter.

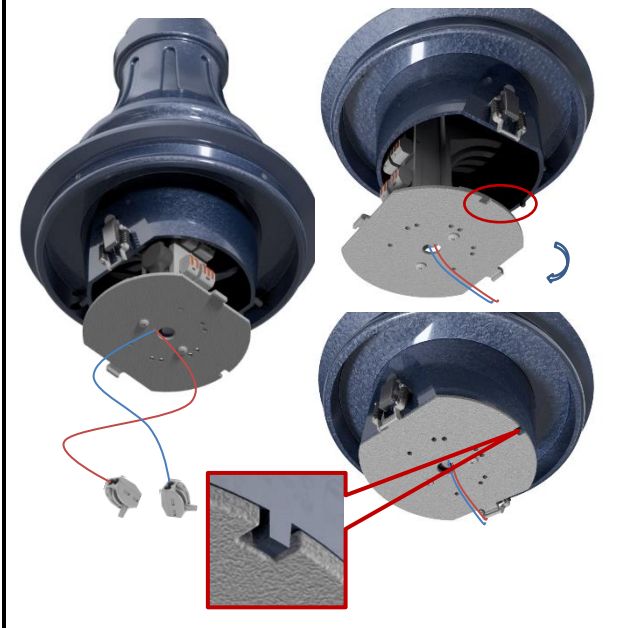


**STEP 3:**

- 3.1. Disconnect the male quick disconnect from the female quick disconnect in driver assembly.
- 3.2. Wire the free end of the male connector to the supply lines from pole via mounted fitter. See wiring schematic below.



- 3.3. Connect the male and female connectors together and press firmly together to lock them.



**STEP 4:**

- 4.1 Insert and seat the driver assembly in fitter at 90° of the slot in the tray with the cap.
- 4.2 Line up the slot in the cap with the ridge in the fitter for proper alignment and fit. Then close the cap by clamping spring retaining latches.


**NOTE:** Be careful not to pinch wires.



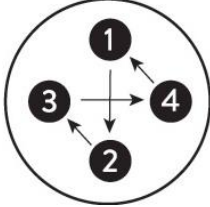
- STEP 5:** Connect wires from the Shade-Heatsink Assembly and the driver assembly with provided connectors – **RED** to **RED** and **BLUE** to **BLACK**.



**NOTE:** The Shade-Heatsink Assembly is sealed and does not need to be opened as part of the standard installation.  
**Separating these components in the field will void warranty.**



**STEP 6:** Carefully install the Shade-Heatsink Assembly into the fitter. Uniformly tighten all 4 set screws located at the Fitter of the fixture using a Good Manufacturing Practice (GMP) tightening practice as shown below:



**NOTE:** Street-side orientation denoted via label placed on heatsink/shade.

Revision History				
Rev	Description of Revision	Release Date	Design Engineer Author	Manufacturing Engineer Approval
A	Create Fixture Installation Instructions	04/26/2021	Nataliya Kozyreva	Grant Burton