




Lunaria™



SternbergLighting

ESTABLISHED 1923 / EMPLOYEE OWNED

www.sternberglighting.com



Sternberg Lighting is proud to present the Lunaria, with its eye-catching dual crescent design form, and SoftVue™ lenses, the Lunaria is an ideal choice for urban park areas, retail, restaurant areas, and institutional applications.

 **Lunaria™**

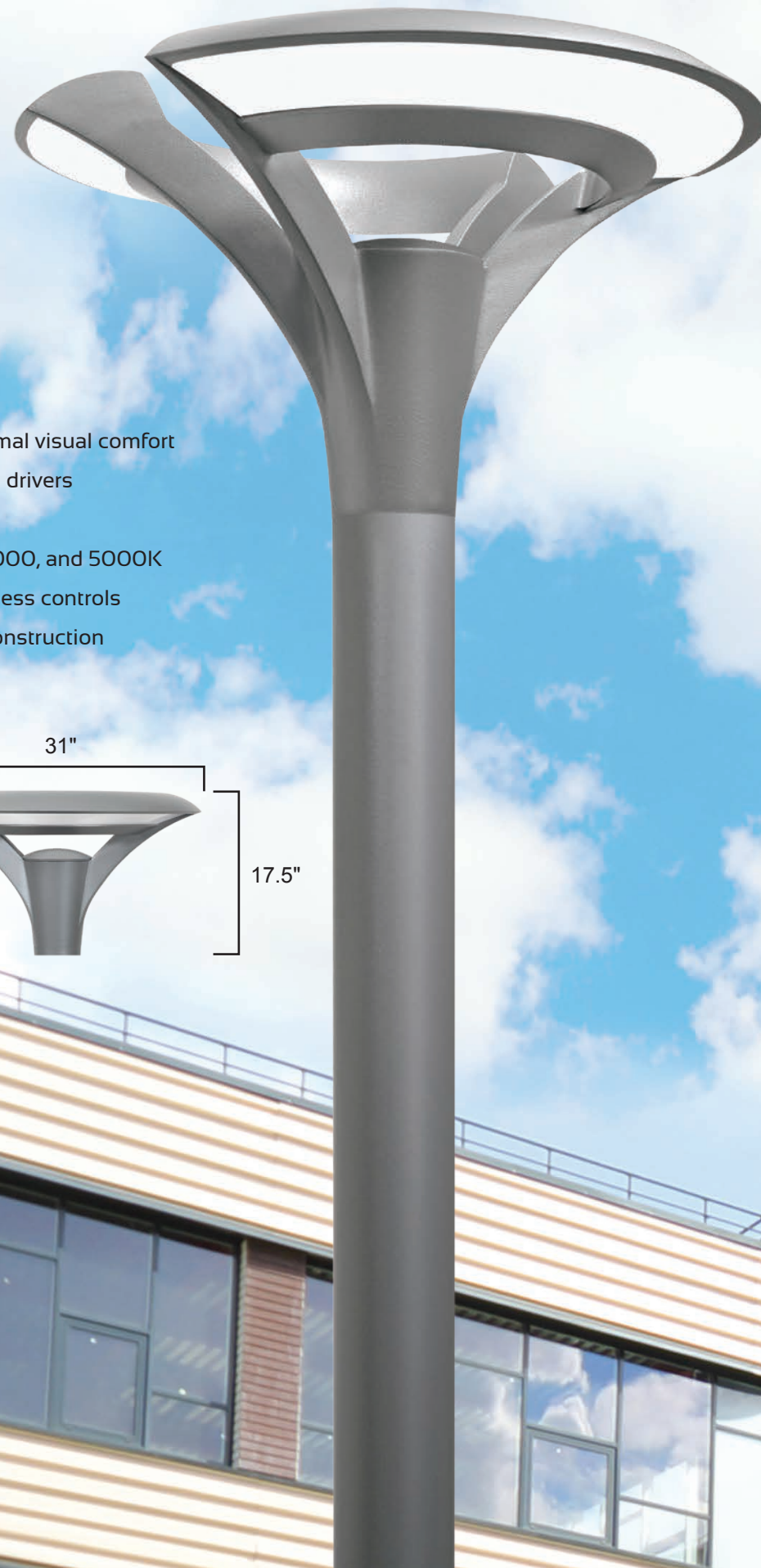
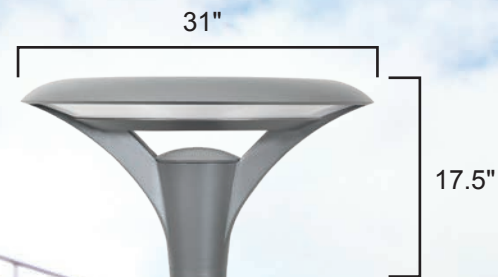
Lunaria's sleek lines accentuate contemporary architecture and urban areas. Shown here with complimentary Lunaria bollards and wall sconces.



LU760

Designed to smoothly transition from 5"OD poles, and scaled for pole heights of 14' – 18'. See page 7 for LU900-5 complementary two-piece flared base cover.

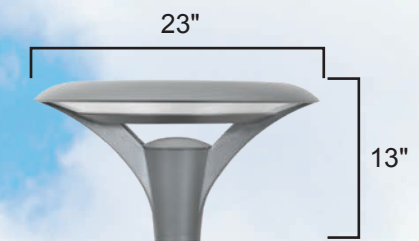
- ▶ Smooth, symmetrical output
- ▶ SoftVue™ SV2 lens provides optimal visual comfort
- ▶ Standard programmable dimming drivers
- ▶ Offered in 3 variable outputs
- ▶ Standard CCTs of 2700, 3000, 4000, and 5000K
- ▶ Optional 7-pin receptacle for wireless controls
- ▶ High quality die cast aluminum construction
- ▶ IP65 rating
- ▶ 7-yr limited warranty



LU660

Designed to smoothly transition from 4"OD poles, and scaled for pole heights of 10' – 14'. See page 7 for LU900-4 complementary two-piece flared base cover.

- ▶ Smooth, symmetrical output
- ▶ SoftVue™ SV2 lens provides optimal visual comfort
- ▶ Standard programmable dimming drivers
- ▶ Offered in 3 variable outputs
- ▶ Standard CCTs of 2700, 3000, 4000, and 5000K
- ▶ Optional 7-pin receptacle for wireless controls
- ▶ High quality die cast aluminum construction
- ▶ IP65 rating
- ▶ 7-yr limited warranty



Bollard, Sconce & Base



LU300

Pathway bollard in standard heights of 36", 42", and 48".

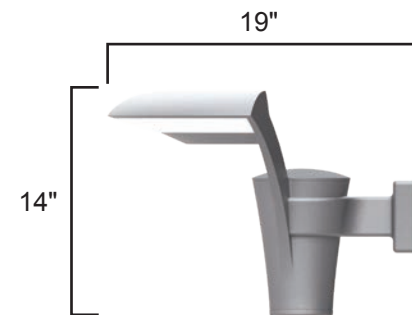
- ▶ Smooth, symmetrical output
- ▶ Heavy wall aluminum construction for highly trafficked urban areas
- ▶ SoftVue™ SV2 lens
- ▶ Standard programmable dimming drivers
- ▶ Offered in 3 variable outputs
- ▶ Standard CCTs of 2700, 3000, 4000, and 5000K
- ▶ IP65 rating
- ▶ 7-yr limited warranty



LU630

Elegantly styled wall sconce, also available as a mid-mount option for taller poles.

- ▶ Smooth, asymmetrical output
- ▶ SoftVue™ SV2 lens provides optimal visual comfort
- ▶ Standard programmable dimming drivers
- ▶ Offered in 3 variable outputs
- ▶ Standard CCTs of 2700, 3000, 4000, and 5000K
- ▶ IP65 rating
- ▶ 7-yr limited warranty



LU900

This two piece die cast base cover is constructed of 360 aluminum and is designed to complement the Lunaria product family.

Scale Reference

LU760

Large

- ▶ 18' Pole Height
- ▶ 5" OD Straight Pole

LU660

Medium

- ▶ 12' Pole Height
- ▶ 4" OD Straight Pole



LU900-5

Flared Base Cover

LU300

Bollard (36")



LU900-4

Flared Base Cover



LU630
Wall Mount



The Lunaria is a beautiful luminaire with a sleek urban daytime aesthetic.

Lunaria's dual crescent design form is visually pleasing, not just in form but also with soft comfortable nighttime illumination



Lunaria welcomes visitors to Fred Rogers Monument

The Mr. Rogers Statue is placed on a pier that remained after the demolition of Pittsburgh's historic Manchester Bridge in 1970. Rogers was placed on the site in 2009, and was named "Tribute to Children," to emphasize Rogers' impact on the city's youth. In 2015, a sound system was added where visitors can listen to musical compositions by Fred Rogers.

In 2019 Sternberg Lighting's new Lunaria LU660 post tops were added to the entrance as a perfect compliment to the crescent shaped archway that also illuminates at night.

Shown here with 10' urban round poles, SV2 SoftVue lenses and 4000K CCT, the Lunaria stands proudly on Pittsburgh's prominent North Shore overlooking the Ohio River, right next door to Heinz Field, home of the Steelers.





SternbergLighting

ESTABLISHED 1923 / EMPLOYEE OWNED



LOCATED IN ROSELLE, IL

Engineered, Tested and Assembled in the USA!

Sternberg Lighting has created a legacy of old world craftsmanship that dates back to the company's inception in 1923. The work ethic and product innovations that made the early Sternberg company successful are still being practiced today by our Employee Owners. Our dedicated staff, attention to detail, and quality production processes are what make Sternberg a world class company.

Sternberg Lighting serves the municipal, landscape, higher education and commercial markets providing efficient and cost effective lighting solutions to the outdoor market.

See our complete catalog online at:

www.sternberglighting.com



SternbergLighting

ESTABLISHED 1923 / EMPLOYEE OWNED

555 Lawrence Ave., Roselle IL 60172

800-621-3376 | contactus@sternberglighting.com | www.sternberglighting.com

