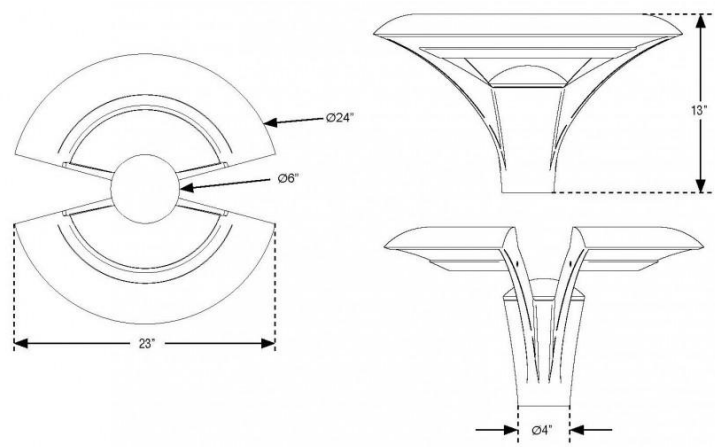


Project Name \_\_\_\_\_ Qty \_\_\_\_\_

Type \_\_\_\_\_ Catalog / Part Number \_\_\_\_\_

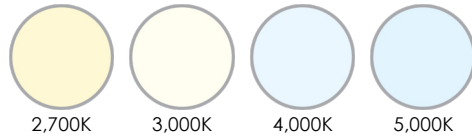


**Distribution Type**



Type Symmetric

**CCT - Color Temperature (K)**



**7 Year Warranty**



**IP Rating**



**Certifications**



**Description**

Designed to elegantly flare from a 4" round pole, the LU660 is constructed of high quality die cast aluminum and is the solution for area lighting on poles ranging in height from 10' to 14'. The smooth symmetrical output can be tailored to your site requirements. Its SoftVue™ lens and indirect optical design are specifically engineered to maximize visual comfort at lower mounting heights, closer to eye level.

**EPA: .8 (ft²) | WEIGHT: 35 LBS**

**Features**

**Mounting Configuration**

- |                                      |                                      |
|--------------------------------------|--------------------------------------|
| <b>1W:</b> Wall Mount                | <b>PT:</b> Post Top                  |
| <b>1A:</b> 1 Arm Mount               | <b>1APT:</b> 1 Arm & Post Top        |
| <b>2A:</b> 2 Arm Mount @ 180°        | <b>2A90:</b> 2 Arm Mount @ 90°       |
| <b>2APT:</b> 2 Arm @ 180° & Post Top | <b>3A:</b> 3 Arms @ 120°             |
| <b>3A90:</b> 3 Arms @ 90°            | <b>3APT:</b> 3 Arm @ 120° & Post Top |
| <b>4A:</b> 4 Arms @ 90°              | <b>4APT:</b> 4 Arm @ 90° & Post Top  |
| <b>1AM:</b> 1 Arm Mid-Mount          | <b>2AM:</b> 2 Arm Mid-Mount @180°    |

**Optional Control Receptacle**

**R7:** 7-Pin control receptacle only

**Optional Control**

- PE:** Twist-Lock Photocontrol (120V-277V)
- PE4:** Twist-Lock Photocontrol (347V-480V)
- SC:** Shorting Cap
- PEC:** Electronic Button Photocontrol (120V-277V)
- PEC4:** Electronic Button Photocontrol (480V)

**Optional Fuse**

**FHD:** Double Fuse and Holder

**Optional Fixed Dimming Resistor Board**

**FDRB:** Fixed Dimming Resistor Board

**Physical**

**Fixture**

**LU660:** LU660

**Lens**

**SV2:** Flat Soft Vue Moderate Diffused Acrylic

<b>Finish</b>	<b>UGMT:</b> Urban Gun Metal Textured <b>UB:</b> Urban Bronze Matte <b>USL:</b> Urban Silver Matte <b>UWH:</b> Urban White Matte <b>CM:</b> Custom Match	<b>UGM:</b> Urban Gun Metal Matte <b>UBT:</b> Urban Bronze Textured <b>USLT:</b> Urban Silver Textured <b>UWHT:</b> Urban White Textured <b>BKT:</b> Black Textured
---------------	--	---

**Light Source**

<b>LED</b>	<b>72L:</b> 72 LEDs	
<b>CCT - Color Temperature (K)</b>	<b>27:</b> 2,700K <b>40:</b> 4,000K	<b>30:</b> 3,000K <b>50:</b> 5,000K
<b>Distribution Type</b>	<b>TS:</b> Type Symmetric	

**Electrical and control**

<b>Driver</b>	<b>MDL02:</b> 120V-277V, 225mA <b>MDL03:</b> 120V-277V, 300mA <b>MDL04:</b> 120V-277V, 400mA	<b>MDH02:</b> 347V-480V, 225mA <b>MDH03:</b> 347V-480V, 300mA <b>MDH04:</b> 347V-480V, 400mA
---------------	--	--

**Specifications**

<b>Fitter</b>	The fitter shall be heavy wall cast aluminum for high tensile strength. It includes 4 stainless steel Allen-head set screws for attachment to a pole/tenon, and shall slip fit a 3" OD x 3" tall tenon.
<b>Comfortable Optics</b>	SoftVue™ lens provides optimal visual comfort
<b>UL Listing</b>	UL listed per UL1598 for Wet Locations and CSA 22.2 No. 250.0 for the US and Canada.
<b>Electronic Driver</b>	The LED driver shall be securely mounted inside the fixture, for optimized performance and longevity and shall be U.L. Recognized. It shall be supplied with a quick-disconnect electrical connector on the power supply, providing easy power connections and fixture installation. It shall have overload, overheat and short circuit protection, and have a DC voltage output, constant current design, 50/60HZ. It shall be supplied with line-ground, line-neutral and neutral-ground electrical surge protection in accordance with IEEE/ANSI C62.41.2 guidelines. It shall be a high efficiency driver with a THD less than 20% and a high power factor greater than .9. It shall be dimming capable using a 0-10v signal, consult factory for more information.
<b>IP Rating</b>	IP65 rated
<b>Finish</b>	6 Stage Polyester Powdercoat paint system.
<b>Urban Finish</b>	Urban paint finishes are available in Sternberg Lighting's Urbanline products and create a modern, elegant aesthetic. Finishes are available in textured or matte.
<b>Warranty</b>	7-year limited warranty (See Website for Terms and Conditions.)
<b>LEDs</b>	<p>The luminaire shall use high output, high brightness LEDs. The LEDs are mounted to maximize thermal transfer to the heat sink surface. The LEDs shall be 100% recyclable; not contain lead, mercury or any other hazardous substances and shall be RoHS compliant. Lumen maintenance shall be determined in accordance with IESNA TM-21, based on LED manufacturer LM-80 test data of no less than 6,000 hours and in-situ testing of the luminaire by an NVLAP accredited Energy Efficient Lighting Products lab. The high-performance white LEDs will have a predicted lumen depreciation of approximately 100,000 hours with greater than 70% of initial output at 25°C. The high-brightness, high-output white LEDs shall be 4000K nominal (2700K, 3000K or 5000K optional) correlated color temperature (CCT) with a 70 (minimum) color rendering index (CRI). Consult factory for custom CCT or CRI. The luminaire shall have a minimum _____ (see table) delivered initial lumens when operated at steady state with an average ambient temperature of 25°C (77°F).</p> <p><b>CCT Lumen Derate Values from 4,000K</b></p> <p>2,700K (70+ CRI)=.91                  3,000K (70+ CRI)=.96                  5,000K (70+ CRI)=1.01</p>

<b>Optics</b>	The optical system shall consist of a multipiece segmented optical image duplicating system using reflector pieces of polished Alzak™, the unit includes Sternberg's SoftVue™ lens system which provides unparalleled glare mitigation.
<b>FDRB</b>	Optional 10-step field adjustable dimming board. Includes step dimming options from 25%-100%. The unit is conformal coated and UL recognized for use in damp locations.
<b>Photocontrols</b>	<p><b>Button Photocell:</b> The photocontrol shall be mounted on the fixture and pre-wired to driver. The electronic button type photocontrol is instant on with a 5-10 second turn off, and shall turn on at 1.5 footcandles with a turn-off at 2-3 footcandles. See pole spec sheet for pole mounted version.</p> <p><b>Twist-Lock Style (Roof Mount):</b> The photocontrol shall be mounted on the roof and prewired to driver. The twist lock type photocontrol is instant on with a 3-6 second turn off, and shall turn on at 1.5 footcandles with a turnoff at 2-3 footcandles. Photocontrol is 120-277 volt.</p>

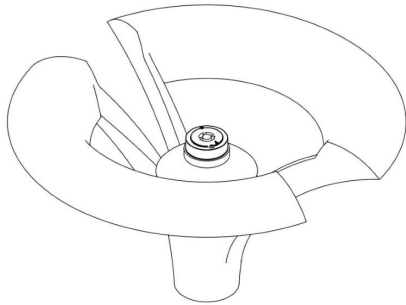
**Lumen Chart(s)**

Tested with SV2 lens

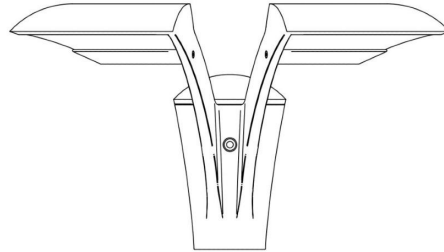
Model #	DELIVERED LUMENS	BUG	EFFICACY (LPW)	WATTAGE
72L40T_-MDL04	5625	B2U3G2	54.1	104
72L30T_-MDL04	5380	B2U3G2	51.7	104
72L27T_-MDL04	5135	B2U3G2	49.4	104
72L40T_-MDL03	4600	B2U3G3	60.5	76
72L30T_-MDL03	4400	B2U3G3	57.9	76
72L27T_-MDL03	4200	B2U3G3	55.3	76
72L40T_-MDL02	3640	B3U3G3	65.0	56
72L30T_-MDL02	3480	B3U3G3	62.1	56
72L27T_-MDL02	3325	B3U3G3	59.4	56

**Options**

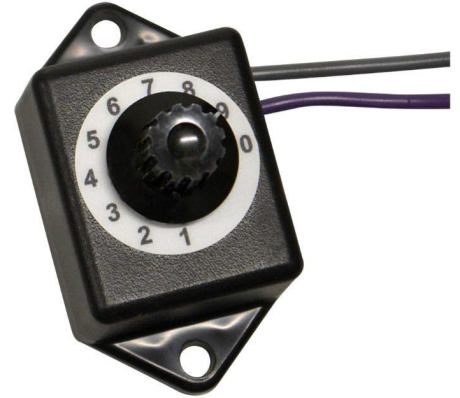
---



7-Pin Control Receptacle with Photocell (**R7-PE/PE4**)



Button Photocell (**PEC/PEC4**)



Fixed Dimming Resistor Board (**FDRB**)

**How to order**

Mounting Configuration	Fixture	LED	CCT - Color Temperature (K)	Distribution Type	Driver	Lens
<b>1W</b> Wall Mount	<b>LU660</b> LU660	<b>72L</b> 72 LEDs	<b>27</b> 2,700K	<b>TS</b> Type Symmetric	<b>MD102</b> 120V-277V, 225mA	<b>SV2</b> Flat Soft Vue Moderate Diffused Acrylic
<b>PT</b> Post Top			<b>30</b> 3,000K		<b>MDH02</b> 347V-480V, 225mA	
<b>1A</b> 1 Arm Mount			<b>40</b> 4,000K		<b>MD103</b> 120V-277V, 300mA	
<b>1APT</b> 1 Arm & Post Top			<b>50</b> 5,000K		<b>MDH03</b> 347V-480V, 300mA	
<b>2A</b> 2 Arm Mount @ 180°					<b>MD104</b> 120V-277V, 400mA	
<b>2A90</b> 2 Arm Mount @ 90°					<b>MDH04</b> 347V-480V, 400mA	
<b>2APT</b> 2 Arm @ 180° & Post Top						
<b>3A</b> 3 Arms @ 120°						
<b>3A90</b> 3 Arms @ 90°						
<b>3APT</b> 3 Arm @ 120° & Post Top						
<b>4A</b> 4 Arms @ 90°						
<b>4APT</b> 4 Arm @ 90° & Post Top						
<b>1AM</b> 1 Arm Mid-Mount						
<b>2AM</b> 2 Arm Mid-Mount @180°						

**How to order**

Optional Control Receptacle <sup>(1)</sup>	Optional Control	Optional Fuse <sup>(4)</sup>	Optional Fixed Dimming Resistor Board <sup>(3)</sup>	Finish <sup>(5)</sup>
<b>R7</b> 7-Pin control receptacle only	<b>PE</b> Twist-Lock Photocontrol (120V-277V) <sup>(2)</sup>  <b>PE4</b> Twist-Lock Photocontrol (347V-480V) <sup>(2)</sup>  <b>SC</b> Shorting Cap <sup>(2)</sup>  <b>PEC</b> Electronic Button Photocontrol (120V-277V) <sup>(3)</sup>  <b>PEC4</b> Electronic Button Photocontrol (480V) <sup>(3)</sup>	<b>FHD</b> Double Fuse and Holder	<b>FDRB</b> Fixed Dimming Resistor Board	<b>UGMT</b> Urban Gun Metal Textured  <b>UGM</b> Urban Gun Metal Matte  <b>UBT</b> Urban Bronze Textured  <b>UB</b> Urban Bronze Matte  <b>USLT</b> Urban Silver Textured  <b>USL</b> Urban Silver Matte  <b>UWHT</b> Urban White Textured  <b>UWH</b> Urban White Matte  <b>BKT</b> Black Textured  <b>CM</b> Custom Match <sup>(6)</sup>

**Notes:**

- 1. Not for use with FDRB.
- 2. Requires control receptacle.
- 3. Not for use with R7.
- 4. Ships loose for installation in base.
- 5. Smooth finishes are available upon request.
- 6. Custom colors require upcharge.