



1914LED LIBERTYVILLE SERIES

LED

EPA
1.55 (ft²)
WEIGHT
50 LBS (A-LENS)
65 LBS (G-LENS)

7 YEAR
WARRANTY

LUMEN
RANGE
4,035 to
34,490

LIFE SPAN
L70
MINIMUM
100,000
HOURS

UL
LISTED

CLICK
FOR FAQ's

RATED
IP66

JOB NAME

FIXTURE TYPE

MEMO

BUILD A PART NUMBER

ORDERING EXAMPLE: **2A-1914LED-3L40T5-MDL07-A-PEC-HSHS/CA6/6420SRTS/RPBP/BKT**

Mounting Config.	Fixture	Shade	LED	CCT	Type	Driver	Lens	Optional Control Receptacle	Optional Control	Optional Fuse	Optional Hang-straight	Optional Terminal Block	Optional House Side Shield	Arm See Arm Spec Sheets	Pole See Pole Spec Sheets	Finish

Mounting Configuration

(Click here to link to mounting configuration specification page)

- 1W
- 1A
- 2A
- 2A90
- 3A
- 3A90
- 4A
- 1AM
- 2AM
- CAT

W = Wall Mount A = Arm Mount AM = Arm Mid-Mount
CAT = Catenary

Fixture

- 1914LED

Shade (Optional)

- RLM431
- RLM731
- RWSL31

LED

- 1L
- 3L
- 4L

CCT - Color Temperature (K)

- 27(00)
- 30(00)
- 35(00)
- 40(00)
- 50(00)

Type

- T2
- T3
- T4
- T5

Driver

- MDL06 (120V-277V, 600mA) (1L or 3L system)
- MDH06 (347V-480V, 600mA)
- MDL07 (120V-277V, 700mA) (3L system)
- MDH07 (347V-480V, 700mA)
- MDL08 (120V-277V, 800mA) (3L system)
- MDH08 (347V-480V, 800mA)
- MDL09 (120V-277V, 900mA) (1L, 3L or 4L system)
- MDH09 (347V-480V, 900mA)
- MDL10 (120V-277V, 1050mA) (3L or 4L system)
- MDH10 (347V-480V, 1050mA)
- MDL12 (120V-277V, 1200mA) (1L or 4L system)
- MDH12 (347V-480V, 1200mA)
- MDL16 (120V-277V, 1600mA) (1L system)
- MDH16 (347V-480V, 1600mA)

Lens

- SG (Sag Glass)
- FSG (Frosted Sag Glass)
- A (Ribbed Acrylic Teardrop)
- G (Glass Prismatic Teardrop)
- SVISA¹ (Soft Vue Light Diffused Acrylic Sag)

- SV25A² (Soft Vue Moderate Diffused Acrylic Sag)
- SV45A¹ (Soft Vue Maximum Diffused Acrylic Sag)

¹ For use with systems up to 147w.
² For use with systems up to 113w.

Options (Click here to view accessories sheet)

- R7³ Twist-Lock Receptacle (7-pin)
- R7I³ Twist-Lock Receptacle (7-pin) Internal
- PE⁴ Twist-Lock Photocontrol (120V-277V)
- PE3⁴ Twist-Lock Photocontrol (347V)
- PE4⁴ Twist-Lock Photocontrol (480V)
- SC⁴ Shorting Cap
- PEC Electronic Button Photocontrol (120V-277V)
- PEC4 Electronic Button Photocontrol (480V)
- FHD⁵ Double Fuse and Holder
- HSHS Standard Horizontal Hangstraight, Spike Finial
- HSHN Standard Horizontal Hangstraight, No Finial
- HSHB Standard Horizontal Hangstraight, Ball Finial
- HSCB Clamp Style Horizontal Hangstraight, Ball Finial
- HSCS Clamp Style Horizontal Hangstraight, Spike Finial
- HSCN Clamp Style Horizontal Hangstraight, No Finial
- EZ Vertical Hangstraight, Large, "EZ" Mount
- TB Terminal Block
- HSS 120° House Side Shield

³ For use with horizontal hangstraights only (HSH_ or HSC_)
⁴ Requires R7 control receptacle
⁵ Ships loose for installation in base

Arm (Click here to link to arm specification page)

See Arms & Wall Brackets specification sheets.

- R2⁶
- R3⁶
- CAF
- SMA
- CA
- CAS
- CSA
- RA
- FFA
- DAG

⁶ Luminaires above grade height to be 2' taller than pole height

Pole (Click here to link to pole specification page)

See Pole specification sheets.

Finish

Standard Finishes⁷

- BKT Black Textured
- WHT White Textured
- PGT Park Green Textured

- ABZT Architectural Medium Bronze Textured
- DBT Dark Bronze Textured

⁷ Smooth finishes are available upon request.

Custom Finishes⁸

- CM Custom Match
- OI Old Iron
- RT Rust
- WBR Weathered Brown
- CD Cedar
- WBK Weathered Black
- TT Two Tone

⁸ Custom colors require upcharge.

Sternberg Select Finishes

- VG Verde Green
- SI Swedish Iron
- OWGT Old World Gray Textured

Specifications

Fixture

The 1914LED with an "A" lens shall be 17" wide and 35" tall. It shall be made of heavy wall cast aluminum alloy, and offer tool-less access to the driver compartment. The Luminaire shall be UL listed in the US and Canada. The optical mounting plate shall have precision cast mounting sites for COB chip and optic assemblies. Die-cast mounting plate shall have an integral high performance heat pipe assembly for transferring chip generated heat away from sensitive electronics.

Shade

An optional 31" spun aluminum shade is available in various styles which helps reduce upright while offering a unique element to the fixture.

LEDs

The luminaire shall use high output, high brightness LED's, consisting of a two piece assembly complete with Chip on Board (COB) LED component and COB holder frame. The LED's and printed circuit boards shall be 100% recyclable; they shall also be protected from moisture and corrosion by a conformal coating of 1 to 3 mils. They shall not contain lead, mercury or any other hazardous substances and

See next page



SternbergLighting

ESTABLISHED 1923

800-621-3376
555 Lawrence Ave., Roselle, IL 60172
contactus@sternberglighting.com
www.sternberglighting.com

1914LED LIBERTYVILLE SERIES

LED

shall be RoHS compliant. The LED life rating data shall be determined in accordance with IESNA LM-80. The High Performance white LED's will have a life expectancy of approximately 100,000 hours with not less than 70% of original brightness (lumen maintenance), rated at 25°C. The High Brightness, High Output LED's shall be 4000K (2700K, 3000K, 3500K or 5000K option) color temperature with a minimum of 70 CRI. Consult factory for custom color CCT. The luminaire shall have a minimum _____ (see table) delivered initial lumen rating when operated at steady state with an average ambient temperature of 25°C (77°F).

Optics

The luminaire shall be provided with individual, molded silicone refractor type optics applied to each COB (Chip On Board) LED assembly. The optic shall be at least 92% efficient while providing superior thermal, UV and impact resistance for the COB assembly. The optic ensures precise light control while providing cutoff control that limits or contains up-light. The luminaire shall provide Type ____ (2, 3, 4 or 5) light distribution per the IESNA classifications. Testing shall be done in accordance with IESNA LM-79.

Electronic Drivers

The Led driver shall be U.L. Recognized. It shall be securely mounted inside the fixture, for optimized performance and longevity. It shall be supplied with a quick-disconnect electrical connector on the power supply, providing easy power connections and fixture installation. It shall have overload, overheat and short circuit protection, and have a DC voltage output, constant current design, 50/60HZ. It shall be supplied with line-ground, line-neutral and neutral-ground electrical surge protection in accordance with IEEE/ANSI C62.41.2 guidelines. It shall be a high efficiency driver with a THD less than 20% and a high power factor greater than .9. It shall be dimming capable using a 0-10v signal, consult factory for more information.

Lens

Materials include DR Acrylic (A), Acrylic (SV1SA, SV2SA, SV4SA) or Glass (G, SG & FSG). An injection, molding process for the (A) teardrop lens adds textured ribs to the surface for glare mitigation and even wall thickness for impact resistance.

Photocontrol Options

Button Style: On a single assembly the photocontrol shall be mounted on the fixture and pre-wired to driver. On multiple head assem-

bly's the photocontrol shall be mounted in the pole shaft on an access plate. The electronic button type photocontrol is instant on with a 5-10 second turn off, and shall turn on at 1.5 footcandles with a turn-off at 2-3 footcandles. Photocontrol is 120-277 volt and warranted for 6 years.

Twist-Lock Style: The R7 receptacle shall be mounted to the Hang Straight and pre-wired to the driver. The R7I shall be mounted internally to the luminaire enclosure with a clear window that allows for a standard photocontrol to detect ambient light conditions. The R7I mounting is only recommended for daylight sensors as the luminaire enclosure will significantly reduce communications with a wireless control system. The optional twist-lock photocontrol is instant on with a 3-6 second turn off, and shall turn on at 1.5fc with a turn-off at 2-3fc. Photocontrol is 120-277 volt and warranted for 6 years.

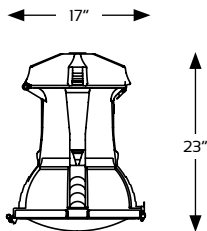
Warranty

Seven-year limited warranty. See product and finish warranty guide for details.

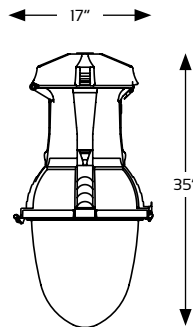
Finish

Refer to website for details.

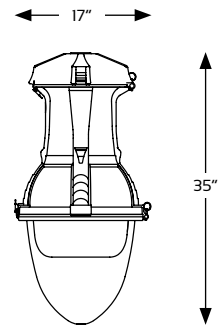
Fixture Examples



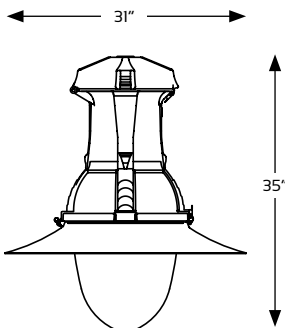
1914LED-SG



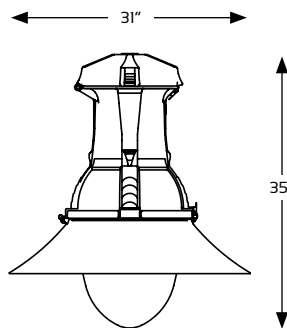
1914LED-A



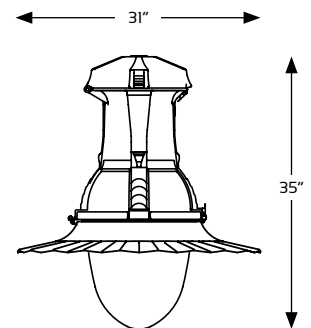
1914LED-A-HSS



1914LED-RLM431-A



1914LED-RLM731-G



1914LED-RWSL31-A



SternbergLighting

ESTABLISHED 1923

800-621-3376
555 Lawrence Ave., Roselle, IL 60172
contactus@sternberglighting.com
www.sternberglighting.com

1914LED LIBERTYVILLE SERIES

LED

Performance - 1914LED-A

MODEL #	T2 LUMENS	BUG	EFFICACY (LPW)	T3 LUMENS	BUG	EFFICACY (LPW)	T4 LUMENS	BUG	EFFICACY (LPW)	T5 LUMENS	BUG	EFFICACY (LPW)	WATTS
4L40T_-MDL12	32425	B4U3G5	127.7	32385	B4U4G5	127.5	34345	B4U4G4	135.2	34490	B5U4G5	135.8	254
4L30T_-MDL12	31600	B4U3G5	124.4	31560	B4U4G5	124.3	33470	B4U4G4	131.8	33610	B5U4G5	132.3	254
4L27T_-MDL12	28705	B4U3G4	113.0	28670	B4U3G5	112.9	30405	B4U4G4	119.7	30535	B5U3G4	120.2	254
4L40T_-MDL10	29150	B4U3G4	130.1	29190	B4U3G5	130.3	30855	B4U4G4	137.7	31045	B5U3G4	138.6	224
4L30T_-MDL10	28405	B4U3G4	126.8	28445	B4U3G5	127.0	30070	B4U4G4	134.2	30255	B5U3G4	135.1	224
4L27T_-MDL10	25810	B4U3G4	115.2	25845	B4U3G5	115.4	27315	B3U3G4	121.9	27485	B5U3G4	122.7	224
4L40T_-MDL09	25550	B4U3G4	133.1	25615	B4U3G5	133.4	27040	B3U3G4	140.8	27245	B5U3G4	141.9	192
4L30T_-MDL09	24900	B4U3G4	129.7	24960	B4U3G5	130.0	26350	B3U3G4	137.2	26550	B5U3G4	138.3	192
4L27T_-MDL09	22620	B4U3G4	117.8	22680	B4U3G4	118.1	23940	B3U3G3	124.7	24120	B5U3G4	125.6	192
3L40T_-MDL10	22105	B4U3G4	128.5	22330	B4U3G4	129.8	23545	B3U3G3	136.9	24625	B5U3G4	143.2	172
3L30T_-MDL10	21540	B4U3G4	125.2	21760	B4U3G4	126.5	22945	B3U3G3	133.4	24000	B5U3G4	139.5	172
3L27T_-MDL10	19570	B4U3G4	113.8	19770	B4U3G4	114.9	20845	B3U3G3	121.2	21800	B4U3G4	126.7	172
3L40T_-MDL09	19385	B4U3G4	131.9	19580	B4U3G4	133.2	20740	B3U3G3	141.1	21470	B4U3G4	146.1	147
3L30T_-MDL09	18890	B4U3G4	128.5	19080	B4U3G4	129.8	20210	B3U3G3	137.5	20925	B4U3G4	142.3	147
3L27T_-MDL09	17165	B3U3G3	116.8	17335	B3U3G4	117.9	18360	B3U3G3	124.9	19010	B4U3G4	129.3	147
3L40T_-MDL08	17570	B3U3G3	134.1	17755	B3U3G4	135.5	18740	B3U3G3	143.1	19490	B4U3G4	148.8	131
3L30T_-MDL08	17120	B3U3G3	130.7	17305	B3U3G4	132.1	18265	B3U3G3	139.4	18995	B4U3G4	145.0	131
3L27T_-MDL08	15555	B3U3G3	118.7	15720	B3U3G3	120.0	16590	B3U3G3	126.6	17255	B4U3G3	131.7	131
3L40T_-MDL07	15230	B3U3G3	134.8	15495	B3U3G3	137.1	16340	B3U3G3	144.6	16940	B4U3G3	149.9	113
3L30T_-MDL07	14840	B3U3G3	131.3	15100	B3U3G3	133.6	15925	B3U3G3	140.9	16510	B4U3G3	146.1	113
3L27T_-MDL07	13485	B3U3G3	119.3	13720	B3U3G3	121.4	14465	B3U3G3	128.0	15000	B4U3G3	132.7	113
3L40T_-MDL06	13295	B3U3G3	137.1	13455	B3U3G3	138.7	14225	B3U3G3	146.6	14820	B4U3G3	152.8	97
3L30T_-MDL06	12955	B3U3G3	133.6	13110	B3U3G3	135.2	13865	B3U3G3	142.9	14440	B4U3G3	148.9	97
3L27T_-MDL06	11770	B3U3G3	121.3	11910	B3U3G3	122.8	12595	B3U3G3	129.8	13120	B4U3G3	135.3	97
1L40T_-MDL16	10720	B3U3G3	110.5	10980	B3U3G3	113.2	11220	B2U3G2	115.7	11575	B3U3G2	119.3	97
1L30T_-MDL16	10445	B3U3G3	107.7	10700	B3U3G3	110.3	10935	B2U3G2	112.7	11280	B3U3G2	116.3	97
1L27T_-MDL16	9490	B3U3G3	97.8	9720	B3U3G3	100.2	9935	B2U3G2	102.4	10250	B3U3G2	105.7	97
1L40T_-MDL12	8400	B3U3G3	116.7	8655	B3U3G3	120.2	8815	B2U3G2	122.4	9100	B3U3G2	126.4	72
1L30T_-MDL12	8185	B3U3G3	113.7	8435	B3U3G3	117.2	8590	B2U3G2	119.3	8870	B3U3G2	123.2	72
1L27T_-MDL12	7435	B3U3G3	103.3	7665	B3U3G3	106.5	7805	B2U3G2	108.4	8055	B3U3G2	111.9	72
1L40T_-MDL09	6655	B2U3G2	125.6	6840	B2U3G2	129.1	6935	B2U2G2	130.8	7185	B3U3G2	135.6	53
1L30T_-MDL09	6485	B2U3G2	122.4	6665	B2U3G2	125.8	6760	B2U2G2	127.5	7000	B3U3G2	132.1	53
1L27T_-MDL09	5890	B2U2G2	111.1	6055	B2U2G2	114.2	6140	B2U2G1	115.8	6360	B3U3G1	120.0	53
1L40T_-MDL06	4570	B2U2G2	130.6	4700	B2U2G2	134.3	4790	B1U2G1	136.9	4930	B3U2G1	140.9	35
1L30T_-MDL06	4455	B2U2G2	127.3	4580	B2U2G2	130.9	4670	B1U2G1	133.4	4805	B3U2G1	137.3	35
1L27T_-MDL06	4045	B2U2G2	115.6	4160	B2U2G2	118.9	4240	B1U2G1	121.1	4365	B3U2G1	124.7	35



SternbergLighting

ESTABLISHED 1923

800-621-3376
555 Lawrence Ave., Roselle, IL 60172
contactus@sternberglighting.com
www.sternberglighting.com

1914LED LIBERTYVILLE SERIES

LED

Performance - 1914LED-RLM431-SG

MODEL #	T2 LUMENS	BUG	EFFICACY (LPW)	T3 LUMENS	BUG	EFFICACY (LPW)	T4 LUMENS	BUG	EFFICACY (LPW)	T5 LUMENS	BUG	EFFICACY (LPW)	WATTS
4L40T_-MDL12	30910	B4U0G3	121.7	31865	B4U0G3	125.5	32910	B4U0G3	129.6	32705	B5U0G2	128.8	254
4L30T_-MDL12	30120	B4U0G3	118.6	31055	B4U0G3	122.3	32070	B4U0G3	126.3	31870	B5U0G2	125.5	254
4L27T_-MDL12	27365	B4U0G3	107.7	28210	B4U0G3	111.1	29135	B4U0G3	114.7	28955	B4U0G2	114.0	254
4L40T_-MDL10	27805	B4U0G3	124.1	28665	B4U0G3	128.0	29570	B4U0G3	132.0	29440	B4U0G2	131.4	224
4L30T_-MDL10	27095	B4U0G3	121.0	27935	B4U0G3	124.7	28815	B4U0G3	128.6	28690	B4U0G2	128.1	224
4L27T_-MDL10	24615	B4U0G3	109.9	25380	B4U0G3	113.3	26180	B4U0G3	116.9	26065	B4U0G2	116.4	224
4L40T_-MDL09	24395	B4U0G3	127.1	25150	B4U0G3	131.0	25930	B4U0G3	135.1	25785	B4U0G2	134.3	192
4L30T_-MDL09	23775	B4U0G3	123.8	24510	B4U0G3	127.7	25270	B4U0G3	131.6	25130	B4U0G2	130.9	192
4L27T_-MDL09	21600	B4U0G3	112.5	22265	B4U0G3	116.0	22955	B4U0G2	119.6	22830	B4U0G2	118.9	192
3L40T_-MDL10	22225	B3U0G3	129.2	21560	B3U0G3	125.3	22465	B4U0G2	130.6	22540	B4U0G2	131.0	172
3L30T_-MDL10	21660	B3U0G3	125.9	21010	B3U0G3	122.2	21895	B4U0G2	127.3	21965	B4U0G2	127.7	172
3L27T_-MDL10	19675	B3U0G3	114.4	19090	B3U0G3	111.0	19890	B4U0G2	115.6	19955	B4U0G2	116.0	172
3L40T_-MDL09	18325	B3U0G3	124.7	18890	B3U0G3	128.5	19700	B3U0G2	134.0	19780	B4U0G2	134.6	147
3L30T_-MDL09	17860	B3U0G3	121.5	18410	B3U0G3	125.2	19200	B3U0G2	130.6	19275	B4U0G2	131.1	147
3L27T_-MDL09	16225	B3U0G3	110.4	16725	B3U0G3	113.8	17440	B3U0G2	118.6	17510	B4U0G2	119.1	147
3L40T_-MDL08	16535	B3U0G3	126.2	17045	B3U0G3	130.1	17815	B3U0G2	136.0	17925	B4U0G2	136.8	131
3L30T_-MDL08	16115	B3U0G3	123.0	16610	B3U0G3	126.8	17360	B3U0G2	132.5	17470	B4U0G2	133.4	131
3L27T_-MDL08	14640	B3U0G3	111.8	15090	B3U0G3	115.2	15775	B3U0G2	120.4	15870	B4U0G2	121.1	131
3L40T_-MDL07	14435	B3U0G3	127.7	14880	B3U0G3	131.7	15560	B3U0G2	137.7	15625	B4U0G2	138.3	113
3L30T_-MDL07	14065	B3U0G3	124.5	14500	B3U0G3	128.3	15165	B3U0G2	134.2	15225	B4U0G2	134.7	113
3L27T_-MDL07	12780	B3U0G3	113.1	13175	B3U0G3	116.6	13775	B3U0G2	121.9	13835	B3U0G2	122.4	113
3L40T_-MDL06	12605	B3U0G3	129.9	12995	B3U0G3	134.0	13530	B3U0G2	139.5	13620	B3U0G2	140.4	97
3L30T_-MDL06	12285	B3U0G3	126.6	12665	B3U0G3	130.6	13185	B3U0G2	135.9	13275	B3U0G2	136.9	97
3L27T_-MDL06	11160	B3U0G3	115.1	11505	B3U0G3	118.6	11980	B3U0G2	123.5	12060	B3U0G2	124.3	97
1L40T_-MDL16	10275	B2U0G2	105.9	10595	B2U0G2	109.2	10955	B3U0G1	112.9	11015	B3U0G1	113.6	97
1L30T_-MDL16	10015	B2U0G2	103.2	10325	B2U0G2	106.4	10675	B3U0G1	110.1	10735	B3U0G1	110.7	97
1L27T_-MDL16	9095	B2U0G2	93.8	9380	B2U0G2	96.7	9700	B2U0G1	100.0	9750	B3U0G1	100.5	97
1L40T_-MDL12	8075	B2U0G2	112.2	8325	B2U0G2	115.6	8625	B2U0G1	119.8	8655	B3U0G1	120.2	72
1L30T_-MDL12	7870	B2U0G2	109.3	8115	B2U0G2	112.7	8405	B2U0G1	116.7	8435	B3U0G1	117.2	72
1L27T_-MDL12	7150	B2U0G2	99.3	7370	B2U0G2	102.4	7635	B2U0G1	106.0	7665	B3U0G1	106.5	72
1L40T_-MDL09	6380	B2U0G2	120.4	6580	B2U0G2	124.2	6825	B2U0G1	128.8	6840	B3U0G1	129.1	53
1L30T_-MDL09	6215	B2U0G2	117.3	6410	B2U0G2	120.9	6650	B2U0G1	125.5	6665	B3U0G1	125.8	53
1L27T_-MDL09	5650	B2U0G2	106.6	5825	B2U0G2	109.9	6045	B2U0G1	114.1	6055	B3U0G1	114.2	53
1L40T_-MDL06	4390	B1U0G1	125.4	4525	B1U0G1	129.3	4700	B2U0G1	134.3	4715	B2U0G1	134.7	35
1L30T_-MDL06	4280	B1U0G1	122.3	4410	B1U0G1	126.0	4580	B2U0G1	130.9	4595	B2U0G1	131.3	35
1L27T_-MDL06	3885	B1U0G1	111.0	4005	B1U0G1	114.4	4160	B2U0G1	118.9	4175	B2U0G1	119.3	35