

G793 / G795 ESSEX SERIES

SPECIFICATIONS

GENERAL

The G793/G795 Essex series is a superbly styled fixture which consists of a decorative cast aluminum fitter, cast ballast housing assembly and a high efficiency prismatic glass acorn. It features a fully cast aluminum decorative cage surrounding the acorn with a gracefully detailed aluminum hinged roof. The cage consists of 16 Victorian pallets on the ring and 4 slender Y-shaped supports. It shall be appointed with a cast aluminum decorative 4-vane finial.

FITTER - STANDARD

The fitter shall be heavy wall cast aluminum, 356 alloy for high tensile strength. It shall have an 8 1/2" inside diameter opening to attach to the 8" neck of the acorn globe. When ordered with a Sternberg aluminum pole, the fitter shall be welded to the pole top or tenon for safety and to ensure the fixture will be plumb, secure and level over the life of the installation. The fitter shall have a one-piece ring bug gasket to resist insect penetration into lamp assembly.

990 FITTER SERIES OPTION

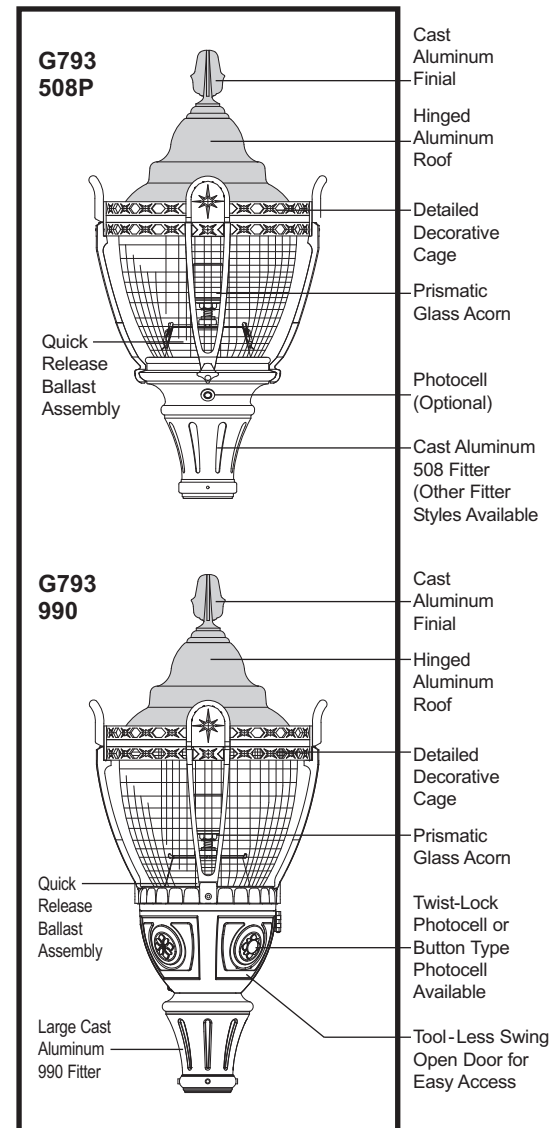
The fitter shall be heavy wall cast aluminum, 360 die cast alloy for high tensile strength. It shall have a 9 1/4" inside diameter opening to attach to the 8" neck of the acorn globe. It shall have a hinged, tool-less entry door that provides open access to all of the components. The 990 shall have an optional terminal block for ease of wiring, an optional Twist-Lock Photocell receptacle, an optional single GFCI outlet for auxiliary power needs. The top mounted ballast mounting plate shall be cast aluminum and provide tool-less removal from the housing using 2 finger latches. When ordered with a Sternberg aluminum pole, the fitter shall be set screwed to the pole top or tenon. The fitter shall have a one-piece ring bug gasket to resist insect penetration into lamp assembly. When supplied with GFI receptacle a hole will be provided for cord and plug installation with the access door closed. When cord and plug is not in use a filler plug will be provided and shall be tethered to the fitter for easy recovery and installation.

ELECTRICAL

Fixture shall be U.L. or E.T.L. listed in U.S. and Canada. H.I.D. ballasts shall be high power factor with lamp starting down to -30 degrees C. Medium base and mogul base porcelain sockets are 4KV rated. The ballast/socket assembly shall be pre-wired when ballast is located in the fitter. Ballasts shall be DOE EISA compliant.

FIXTURE HOUSING

The fixture housing shall be 16" in diameter and 24" tall with an 8" diameter neck. It will be made of heavy wall clear borosilicate glass. The fixture shall be specified in I.E.S. Type 3 (Model G793) or Type 5 (Model G795) light distribution. The cast aluminum cage shall be made of cast aluminum, 356 alloy for high tensile strength. The roof shall be gasketed to resist bug entry.



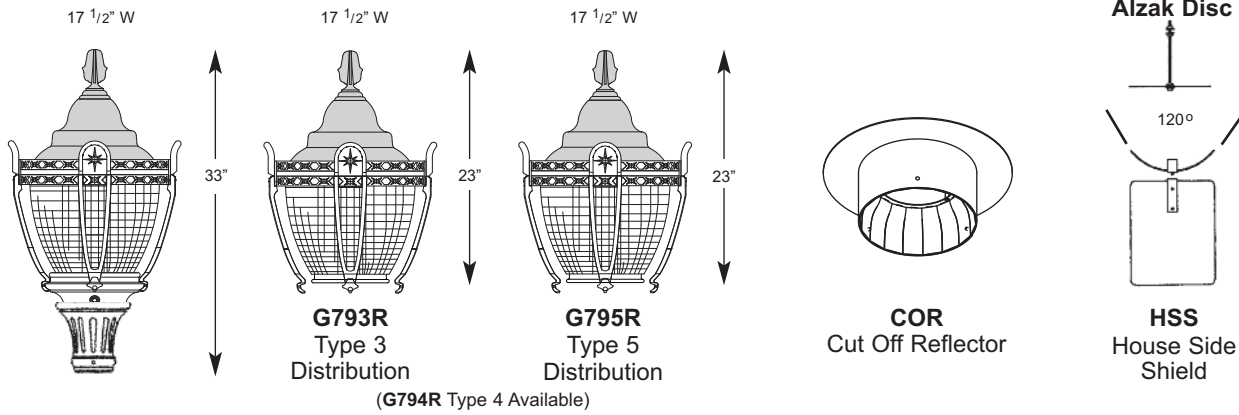
**EPA = 1.54 (ft²)
WEIGHT = 30 LBS**

**LIST NO.
G793/G795
ESSEX
SERIES**

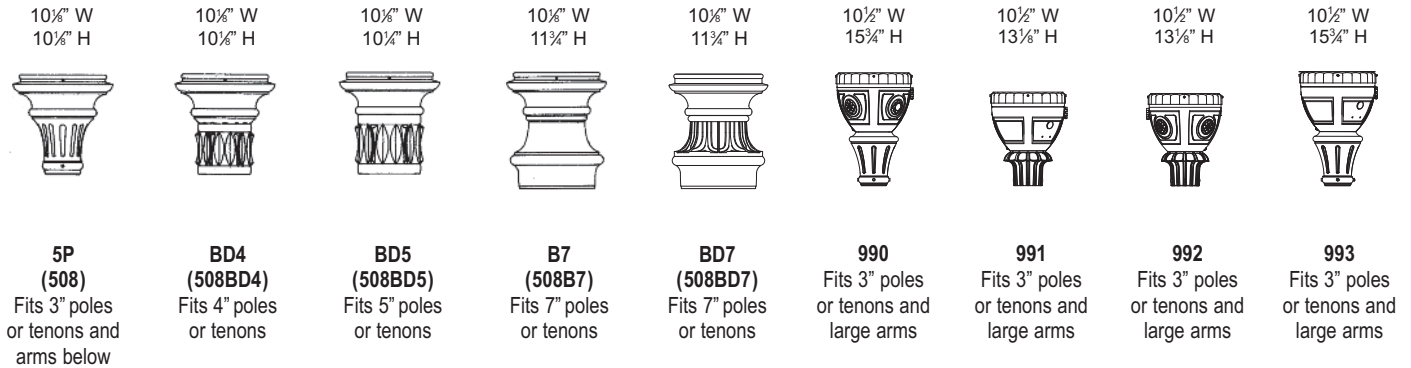
G793 / G795 ESSEX

FIXTURES / FITTERS / ARMS PM - WB

FIXTURES / OPTIONAL TOPS / OPTICAL SYSTEMS

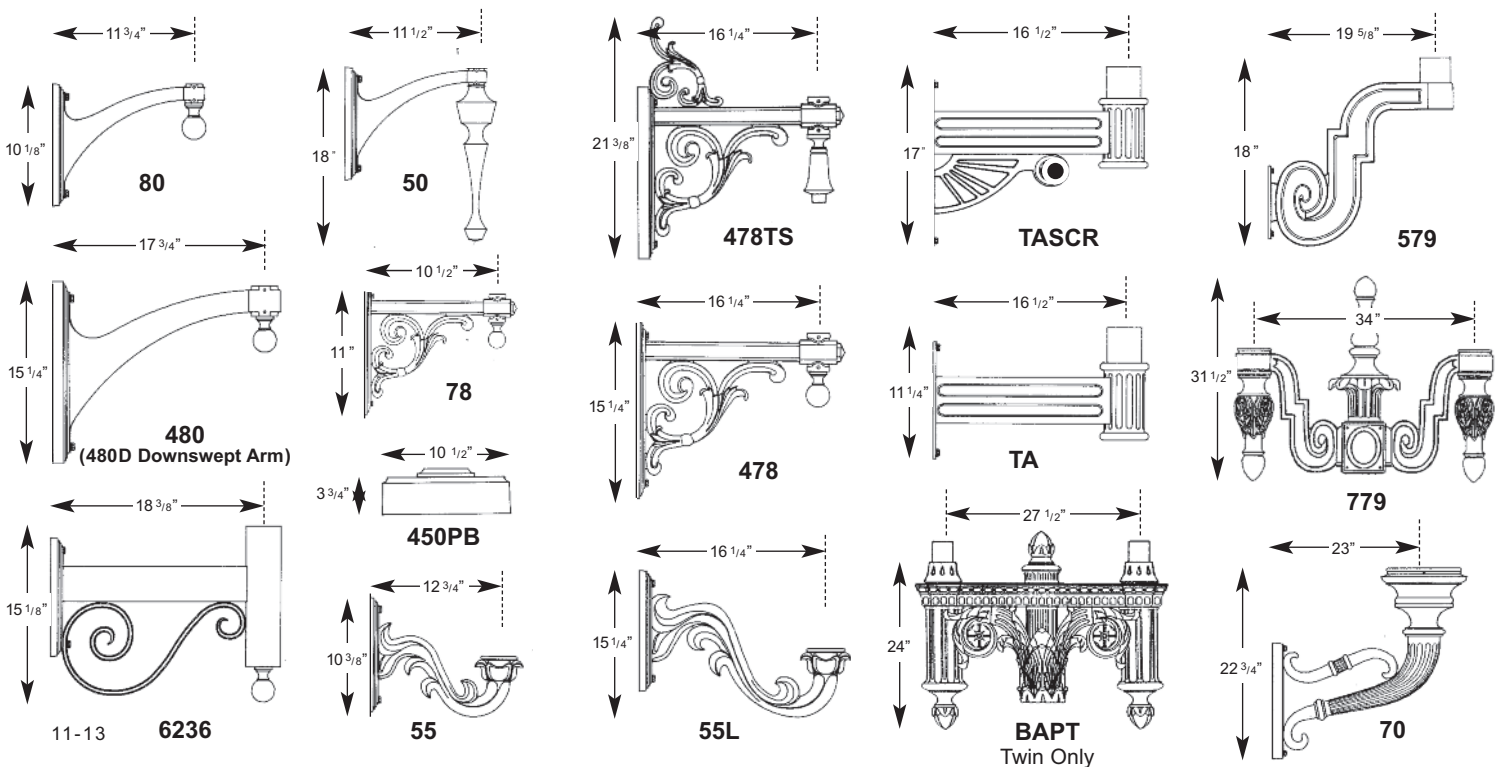


FITTERS / BASES



ARMS - POST MOUNT (PM) or WALL BRACKETS (WB)

See Arms Section for more information

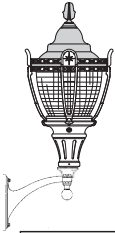


BUILDING A PART NUMBER



POST & ARM FIXTURES

ARM MOUNTED FIXTURES	CENTER POST TOP FIXTURE (PT)	POST	POST CAP	LIGHT SOURCE BALLAST	OPTICS	OPTIONS	FINISH
NO. OF ARMS	FIXT./ FITTER / POSTARM	FIXTURE / FITTER	(See Post Section)	WATTS / TYPE / VOLTS			
<input type="text"/>	<input type="text"/>	<input type="text"/> G793/508 PT	<input type="text"/> 4212FP4	<input type="text"/> 100 HPS120	<input type="text"/> HSS	<input type="text"/> PEC1	<input type="text"/> BKT



WALL FIXTURES

FIXTURE / FITTER / WALL BRACKET	LIGHT SOURCE BALLAST	OPTICS	OPTIONS	FINISH
WATTS / TYPE / VOLTS				
<input type="text"/> G793 / 508 / 80WB	<input type="text"/> 100 HPS120	<input type="text"/>	<input type="text"/> PEC1	<input type="text"/> BKT



PIER BASE
Uses same information boxes as wall fixture

G793 / 508 / 450 PB

FIXTURE / FITTER / PIER BASE

PART NUMBER SELECTIONS

FIXTURES

- G793
- G794
- G795

FITTERS

- 5P
- 990
- 991
- 992
- 993
- BD4
- BD5
- BD7
- B7

VOLTAGES

- 120
- 208
- 240
- 277
- 480
- MULTI (120-277)

OPTIONS

- PEC1 Photocell-Bimetal 120 Volt
- PEC2 Photocell-Bimetal 208-277 Volt
- PEC1-E Photocell-Electronic 120 Volt
- PEC2-E Photocell-Electronic 208-277 Volt
- R³ Receptacle Only for Twist-Lock Photo Cell
- R1³ Twist-Lock Photo Cell 120-277 Volt
- G³ GFI 15 Amp for 990 Fitter
- FHS Single Fuse & Holder-120, 277 Volt
- FHD Dual Fuse & Holder-208, 240, 480 Volt
- QR Quartz Re-Strike
- PF Pineapple Finial or Font (TA, TASCRC)
- BF Ball Finial or Font (TA, TASCRC)
- LAMPS Select from List

POST ARMS

- 50PM
- 50DPM
- 78PM
- 478PM
- 478TSPM
- 70PM**
- 80PM
- 80DPM
- 480PM
- 480DPM
- 55PM
- 55LPM
- 779T
- 6236PM
- 579PT
- TAPT
- TASCRCPT
- BAPT
Twin Only

WALL BRACKET ARMS

- 50WB
- 50DWB
- 478WB
- 478TSWB
- 70WB**
- 80WB
- 80DWB
- 480WB
- 480DWB
- 55WB
- 55LWB
- 6236WB
- 579WB
- TAWB
- TASCRCWB
- 39WB**

**No fitter required

BALLASTS^{2,4}

- 35HPS¹
- 50HPS
- 70HPS
- 100HPS
- 150HPS
- 250HPS^{2,5}
- 50MHP
- 70MHP
- 100MHP
- 150MHP
- 200MHP^{2,5}
- 250MHP^{2,5}

LAMPS⁴

- HPS35/MED
- HPS50/MED
- HPS70/MED
- HPS100/MED
- HPS150/MED
- HPS250/MOG/ED18^{2,5}
- MHP50/MED
- MHP70/MED
- MHP100/MED
- MHP150/MED
- MHP200/MOG/ED28^{2,5}
- MHP250/MOG/ED28^{2,5}

OPTICS

- HSS
- ALZAK
- COR

PIER BASE

- 450PB

STANDARD FINISHES*

- BKT Black Textured
- WHT White Textured
- PGT Park Green Textured
- ABZT Architectural Medium Bronze Textured
- DBT Dark Bronze Textured

*Smooth Finishes are available upon request

CUSTOM FINISHES

- OI Old Iron
- RT Rust
- WBR Weathered Brown
- CD Cedar
- WBK Weathered Black
- TT Two Tone

STERNBERG SELECT FINISHES

- VG Verde Green
- SI Swedish Iron
- OWGT Old World Gray Textured

NOTES:

- ¹ 35HPS is 120 volt only.
- ² Medium base sockets standard with ballasts up to 150 watts HID Mogul base can be used, but
- lamp would be mounted in base up position or remotely.
- ³ For 990 series fitter only.
- ⁴ Metal halide systems are pulse start.
- ⁵ Consult factory for limitations.

G793 / G795 ESSEX SERIES**SPECIFICATIONS**

LIST NO.
G793/G795
ESSEX
SERIES

OPTICAL OPTIONS

The optional **Alzak Disc** is an optical shield to help direct light downward.

Cut Off Reflector (COR) – **NIGHTSKY®** refractor optics distribution shall be delivered by a multi-segmented reflector system which eliminates up light and provides cut off. The reflector cavity shall be made of specular anodized aluminum.

House Side Shield (HSS) is an option which will block 120° of light in any one direction.

QUARTZ RE-STRIKE

The G793/G795 fixture can be supplied with an optional quartz re-strike system to retain constant fixture light if the H.I.D. lamp fails. The fixture will be equipped with a 100 watt quartz lamp and a controller to run on a 120 volt circuit and must be used in conjunction with a 120 volt or multi-tap ballast.

PHOTOCELLS

Photocells shall be either the thermo bi-metal button type or the electronic button type. On single post top fixtures the photocell shall be mounted in the fitter and pre-wired to ballast. On multiple head fixture assemblies photocells shall be mounted in the pole shaft on an access plate and are not pre-wired as ballast housing assemblies and fitters are packaged separately for ease of wiring to source. The thermo bi-metal photocell shall be designed to turn on at 1.0 footcandle and turn off at not more than 5 footcandles. The electronic button type photocell is instant on and a 5-10 second turn off and shall turn on at 1.5 footcandles with a turn-off at 2-3 footcandles. Photocells are either 120 volt or 208 thru 277 volt.

ARMS

All arms are made of cast aluminum and/or extruded aluminum. Arms with decorative filigree have meticulously detailed scroll work and gracefully curved brackets. All G793/G795 fixtures will have its fitter either welded to the arm or will be mechanically attached at the factory to ensure arms will be plumb, secure and level over the life of the installation. Each arm shall be bolted to a post mount adapter, which is welded to the pole to ensure proper alignment to the base. Twin TA, TASCRA and 579 arms will be attached to a decorative center hub which will slip-fit the center tenon of the pole (not shown). BA and 779 arms are available as a twin application. Arms are pre-wired for ease of installation.

FINISH

Prior to coating, each assembly shall be chemically cleaned and etched in a 5-stage washing system which includes alkaline cleaning, rinsing, phosphoric etching, reverse osmosis water rinsing, and non-chrome sealing to ensure corrosion resistance and excellent adhesion for the finish coating. The finish coating shall be electrostatically applied semi-gloss, super durable polyester powder baked at 400 degrees for a durable and superior, color retentive finish. Our optional antique Verde Green finish and Swedish Iron finish are hand brushed using a 3-step process. The total assembly shall be wrapped in shockproof wrapping or fully enclosed in corrugated cartons.

WARRANTY

Five-year limited warranty. See product and finish warranty guide for details.

