

**G773 / G775 HARTFORD SERIES**

**SPECIFICATIONS**

**GENERAL**

The G773/G775 Hartford is a stylized nostalgic 1920's glass acorn fixture with distinct styling which consists of a decorative cast aluminum fitter, cast ballast housing assembly and a high efficiency prismatic glass acorn. It features a fully cast aluminum decorative cage surrounding the glass acorn. The cage consists of 16 Victorian pallets on the ring and 4 slender Y-shaped supports. It shall be appointed with or without cast aluminum decorative 4-vane finial.

**FITTER - STANDARD**

The fitter shall be heavy wall cast aluminum, 356 alloy for high tensile strength. It shall have an 8 1/2" inside diameter opening to attach to the 8" neck of the acorn globe. When ordered with a Sternberg aluminum pole, the fitter shall be welded to the pole top or tenon for safety and to ensure the fixture will be plumb, secure and level over the life of the installation. The fitter shall have a one-piece ring bug gasket to resist insect penetration into lamp assembly.

**990 FITTER SERIES OPTION**

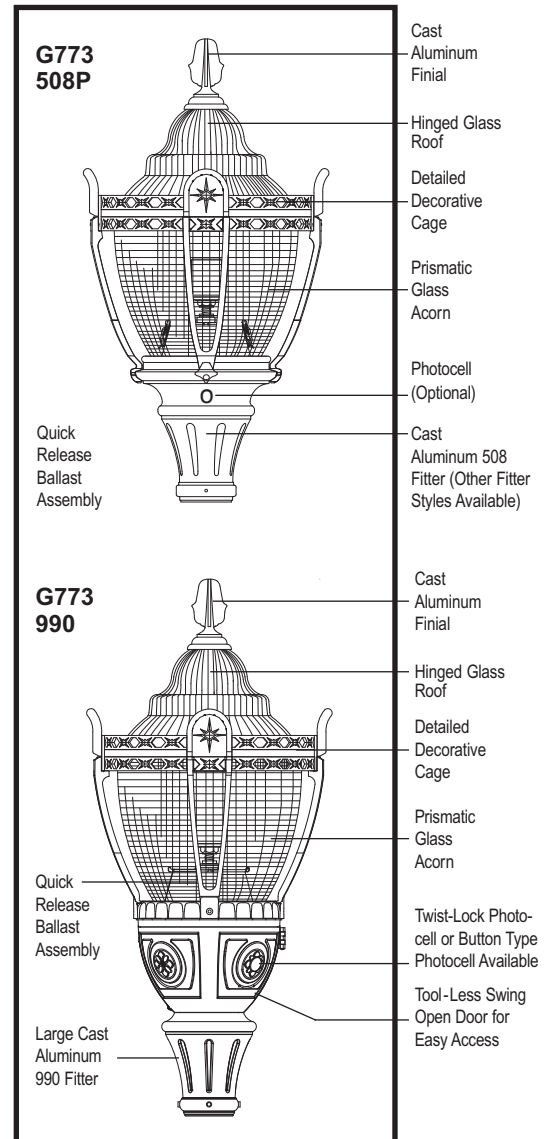
The fitter shall be heavy wall cast aluminum, 360 die cast alloy for high tensile strength. It shall have a 9 1/4" inside diameter opening to attach to the 8" neck of the acorn globe. It shall have a hinged, tool-less entry door that provides open access to all of the components. The 990 shall have an optional terminal block for ease of wiring, an optional Twist-Lock Photocell receptacle, an optional GFCI outlet for auxiliary power needs. The top mounted ballast mounting plate shall be cast aluminum and provide tool-less removal from the housing using 2 finger latches. When ordered with a Sternberg aluminum pole, the fitter shall be set screwed to the pole top or tenon. The fitter shall have a one-piece ring bug gasket to resist insect penetration into lamp assembly. When supplied with GFI receptical a hole will be provided for cord and plug installation with the access door closed. When cord and plug is not in use a filler plug will be provided and shall be tethered to the fitter for easy recovery and installation.

**ELECTRICAL**

Fixture shall be U.L. or E.T.L. listed in U.S. and Canada. H.I.D. ballasts shall be high power factor with lamp starting down to -30 degrees C. Medium base and mogul base porcelain sockets are 4KV rated. The ballast / socket assembly shall be pre-wired when ballast is located in the fitter. All compact fluorescent (PL) ballasts shall be instant start electronic with a starting temperature of down to 0 degrees F. They shall have a 4-pin socket to accept quad or triple tube lamps. Ballasts shall be DOE EISA compliant.

**FIXTURE HOUSING**

The fixture housing shall be 16" in diameter and 23" tall with an 8" diameter neck. It will be made of heavy wall clear borosilicate glass. The fixture shall be specified in I.E.S. Type 3 (Model G773), Type 4 (Model G774) or Type 5 (Model G775) light distribution. The cast aluminum cage shall be made of cast aluminum, 356 alloy for high tensile strength.



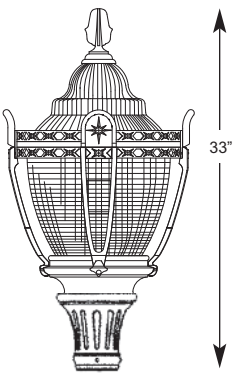
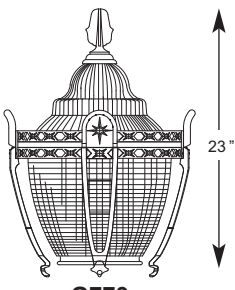
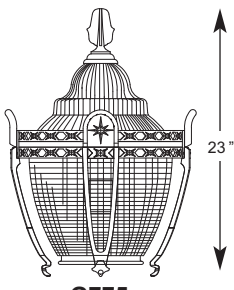
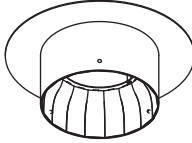
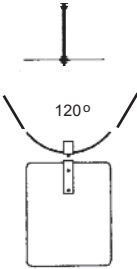
**EPA = 1.58 (ft<sup>2</sup>)  
WEIGHT = 33 LBS**

**LIST NO.  
G773/G775  
HARTFORD  
SERIES**










# G773 / G775 HARTFORD

# FIXTURES / FITTERS / ARMS PM - WB

## FIXTURES / OPTIONAL TOPS / OPTICAL SYSTEMS

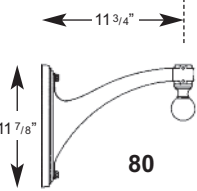
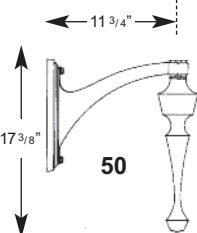
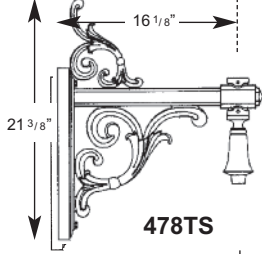
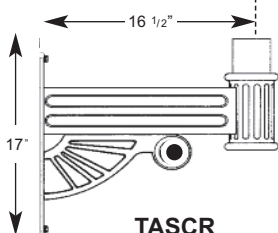
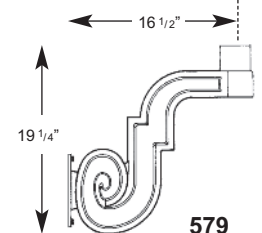
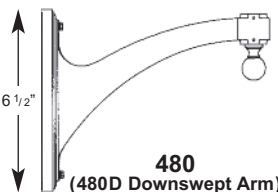
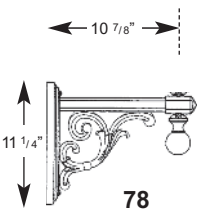
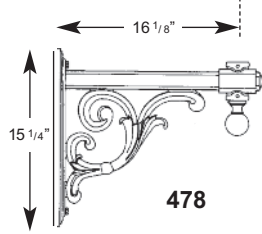
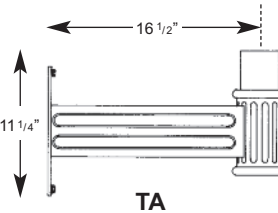
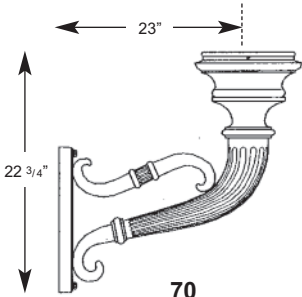
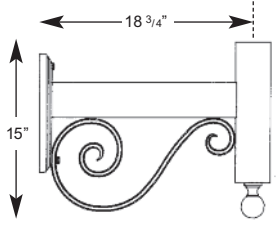
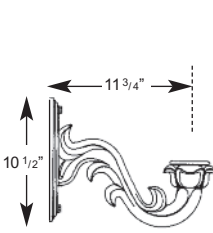
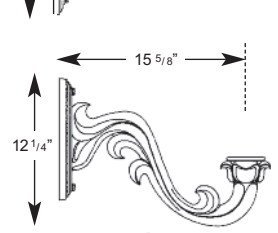
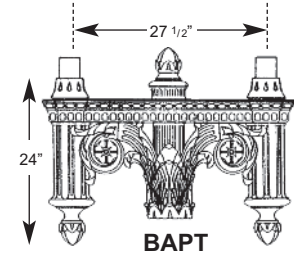
 <p>17 1/2" W 33"</p>	 <p>17 1/2" W 23"</p> <p><b>G773</b> Type 3 Distribution</p>	 <p>17 1/2" W 23"</p> <p><b>G775</b> Type 5 Distribution</p>	 <p><b>COR</b> Cut Off Reflector</p>	 <p><b>Alzak Disc</b> 120° <b>HSS</b> House Side Shield</p>
(G744R Type 4 Available)				

## FITTERS / BASES

<p>10 1/8" W 10 1/8" H</p>  <p><b>5P</b> (508) Fits 3" poles or tenons and arms below</p>	<p>10 1/8" W 10 1/8" H</p>  <p><b>BD4</b> (508BD4) Fits 4" poles or tenons</p>	<p>10 1/8" W 10 1/4" H</p>  <p><b>BD5</b> (508BD5) Fits 5" poles or tenons</p>	<p>10 1/8" W 11 1/4" H</p>  <p><b>B7</b> (508B7) Fits 7" poles or tenons</p>	<p>10 1/8" W 11 3/4" H</p>  <p><b>BD7</b> (508BD7) Fits 7" poles or tenons</p>	<p>10 1/2" W 15 1/4" H</p>  <p><b>990</b> Fits 3" poles or tenons and large arms</p>	<p>10 1/2" W 13 1/8" H</p>  <p><b>991</b> Fits 3" poles or tenons and large arms</p>	<p>10 1/2" W 13 3/8" H</p>  <p><b>992</b> Fits 3" poles or tenons and large arms</p>	<p>10 1/2" W 15 1/4" H</p>  <p><b>993</b> Fits 3" poles or tenons and large arms</p>
---	--	--	--	--	---	--	--	--

## ARMS - POST MOUNT (PM) or WALL BRACKETS (WB)

See Arms Section for more information

 <p>11 3/4" 11 7/8" <b>80</b></p>	 <p>11 3/4" 17 3/8" <b>50</b></p>	 <p>16 1/8" 21 3/8" <b>478TS</b></p>	 <p>16 1/2" 17" <b>TASC</b></p>	 <p>16 1/2" 19 1/4" <b>579</b></p>
 <p>17 3/4" 16 1/2" <b>480</b> (480D Downswep Arm)</p>	 <p>10 7/8" 11 1/4" <b>78</b></p>	 <p>16 1/8" 15 1/4" <b>478</b></p>	 <p>16 1/2" 11 1/4" <b>TA</b></p>	 <p>23" 22 3/4" <b>70</b></p>
 <p>18 3/4" 15" <b>6236</b></p>	 <p>11 3/4" 10 1/2" <b>55</b></p>	 <p>15 5/8" 12 1/4" <b>55L</b></p>	 <p>27 1/2" 24" <b>BAPT</b> Twin Only</p>	

# BUILDING A PART NUMBER



## POST & ARM FIXTURES

<b>ARM MOUNTED FIXTURE</b>	<b>CENTER POST TOP FIXTURE (PT)</b>	<b>POST</b>	<b>POST CAP</b>	<b>LIGHT SOURCE BALLAST</b>	<b>OPTICS</b>	<b>OPTIONS</b>	<b>FINISH</b>
NO. OF ARMS	ACORN / FITTER / POSTARM	ACORN / FITTER	(See Post Section)	WATTS / TYPE / VOLTS			
□	□ / □	G773/5P PT	4212FP4	□ / 100 HPS120	HSS	PEC1	BKT



## WALL FIXTURES

<b>FIX. / FITTER / WALLBRACKET</b>	<b>LIGHT SOURCE BALLAST</b>	<b>OPTICS</b>	<b>OPTIONS</b>	<b>FINISH</b>
G773/5P/480WB	100 HPS120	□	PEC1	BKT



**PIER FIXTURES**  
Uses same information boxes as wall fixture

G773/5P/450PB

FIXTURE / FITTER / PIER BASE

## PART NUMBER SELECTIONS

### FIXTURES

- G773
- G774
- G775

### FITTERS

- 5P
- 990
- 991
- 992
- 993
- BD4
- BD5
- BD7
- B7

### VOLTAGES

- 120
- 208
- 240
- 277
- 480
- MULTI (120-277)

### OPTIONS

- PEC1 Photocell-Bimetal 120 Volt
- PEC2 Photocell-Bimetal 208-277 Volt
- PEC1-E Photocell-Electronic 120 Volt
- PEC2-E Photocell-Electronic 208-277 Volt
- R<sup>3</sup> Receptacle Only for Twist-Lock Photo Cell
- R<sup>13</sup> Twist-Lock Photo Cell 120-277 Volt
- G<sup>3</sup> GFI 15 Amp for 990 Series Fitter
- TB<sup>3</sup> Terminal Block
- FHS Single Fuse & Holder-120, 277 Volt
- FHD Dual Fuse & Holder-208, 240, 480 Volt
- QR Quartz Re-Strike
- PF Pineapple Finial or Font (TA, TASCRT)
- BF Ball Finial or Font (TA, TASCRT)
- LAMPS Select from List

### POST ARMS

- 50PM
- 50DPM
- 78PM
- 478PM
- 478TSPM
- 70PM\*\*
- 80PM
- 80DPM
- 480PM
- 480DPM
- 55PM
- 55LPM
- 779PT
- 6236PM
- 579PT
- TAPT
- TASCRT
- BAPT
- Twin Only

### WALL BRACKET ARMS

- 50WB
- 50DWB
- 478WB
- 478TSWB
- 70WB\*\*
- 80WB
- 80DWB
- 480WB
- 480DWB
- 55WB
- 55LWB
- 6236WB
- 579WB
- TAWB
- TASCRTWB
- 39WB\*\*

\*\*No fitter required

### BALLASTS<sup>2,4</sup>

- 35HPS<sup>1</sup>
- 50HPS
- 70HPS
- 100HPS
- 150HPS
- 250HPS<sup>2</sup>
- 50MHP
- 70MHP
- 100MHP
- 150MHP
- 200MHP<sup>2</sup>
- 250MHP<sup>2</sup>

### LAMPS

- HPS35/MED
- HPS50/MED
- HPS70/MED
- HPS100/MED
- HPS150/MED
- HPS250/MOG/ED18<sup>2</sup>
- MHP50/MED
- MHP70/MED
- MHP100/MED
- MHP150/MED
- MHP200/MOG/ED28<sup>2</sup>
- MHP250/MOG/ED28<sup>2</sup>

### OPTICS

- HSS
- ALZAK
- COR

### PIER BASE

- 450PB

### STANDARD FINISHES\*

- BKT Black Textured
- WHT White Textured
- PGT Park Green Textured
- ABZT Architectural Medium Bronze Textured
- DBT Dark Bronze Textured

\*Smooth Finishes are available upon request

### CUSTOM FINISHES

- OI Old Iron
- RT Rust
- WBR Weathered Brown
- CD Cedar
- WBK Weathered Black
- TT Two Tone

### STERNBERG SELECT FINISHES

- VG Verde Green
- SI Swedish Iron
- OWGT Old World Gray Textured

#### NOTES:

<sup>1</sup>35HPS is 120 volt only.  
<sup>2</sup>Medium base sockets standard with ballasts up to 250 watts.  
Mogul base can be used, how-

ever lamp would be mounted in base up position or remotely.  
<sup>3</sup>For 990 series fitter only.  
<sup>4</sup>Metal halide systems are pulse start.

**G773 / G775 HARTFORD SERIES****SPECIFICATIONS****LIST NO.  
G773/G775  
HARTFORD  
SERIES****OPTICAL OPTIONS**

The optional **Akzak Disc** is an optical shield to help direct light downward.

**Cut Off Reflector (COR)** – NIGHTSKY® refractor optics distribution shall be delivered by a multi-segmented reflector system which eliminates up light and provides cut off. The reflector cavity shall be made of specular anodized aluminum.

**House Side Shield (HSS)** is an option that will block 120° of light in any one direction.

**QUARTZ RE-STRIKE**

The G773/G775 fixture can be supplied with an optional quartz re-strike system to retain constant fixture light if the H.I.D. lamp fails. The fixture will be equipped with a 100 watt quartz lamp and a controller to run on a 120 volt circuit and must be used in conjunction with a 120 volt or multi-tap ballast.

**PHOTOCELLS**

Photocells shall be Thermo Bi-Metal button type. Electronic button type or twist lock ANSI type. Photo controls shall be mounted to the Pole shaft or in the fitter when the luminaire is in a post top mounting configuration. Twist-lock photo controls shall be mounted in the 990 Utility fitter in post top mounting configuration or post top when using an arm mount configuration. All shall be pre-wired to the driver. On multiple head luminaire assemblies button type photo controls will be mounted to an access door attached to the pole shaft and left unwired from the factory for easy wiring in the field. The thermo bi-metal button type control shall be designed to turn on at 1.0 f.c. and turn off at not more than 5 f.c. The electronic button type photo control shall be instant on and a 5-10 second turn off. The photo control shall turn on at 1.5 f.c. and off at 2-3 f.c. The twist-lock photo control shall turn on at 1.0 f.c. and off at 1.5 f.c. Photo controls will operate at 120v, 208v-277v or 480v.

**ARMS**

All arms are made of cast aluminum and/or extruded aluminum. Arms with decorative filigree have meticulously detailed scroll work and gracefully curved brackets. All G773/G775 fixtures will have its fitter either welded to the arm or will be mechanically attached at the factory to ensure arms will be plumb, secure and level over the life of the installation. Each arm shall be bolted to a post mount adapter, which is welded to the pole to ensure proper alignment to the base. Twin TA, TASCAR and 579 arms will be attached to a decorative center hub which will slip-fit the center tenon of the pole (not shown). BA and 779 arms are available as a twin application. Arms are pre-wired for ease of installation.

**FINISH**

Prior to coating, each assembly shall be chemically cleaned and etched in a 5-stage washing system which includes alkaline cleaning, rinsing, phosphoric etching, reverse osmosis water rinsing, and non-chrome sealing to ensure corrosion resistance and excellent adhesion for the finish coating. The finish coating shall be electrostatically applied semi-gloss, super durable polyester powder baked at 400 degrees for a durable and superior, color retentive finish. Our optional antique Verde Green finish and Swedish Iron finish are hand brushed using a 3-step process. The total assembly shall be wrapped in shockproof wrapping or fully enclosed in corrugated cartons.

**WARRANTY**

Five-year limited warranty. See product and finish warranty guide for details.

