



# A85LED/A85SRLED YORKTOWN SERIES

LED

EPA  
1.90 (ft<sup>2</sup>)  
WEIGHT  
24 LBS

7 YEAR  
WARRANTY

LUMEN  
RANGE  
9,670 to  
3,725

LIFE SPAN  
L70  
MINIMUM  
100,000  
HOURS

UL  
LISTED

CLICK  
FOR FAQ'S

JOB NAME \_\_\_\_\_

FIXTURE TYPE \_\_\_\_\_

MEMO \_\_\_\_\_

## BUILD A PART NUMBER

ORDERING EXAMPLE: **2A-A85LED-5P-4L40T3-MDL05-A-PEC-FHD/480PM/4212FP4/FCC/BKT**

Mounting Config.	Fixture	Fitter	LED	CCT	Type	Driver	Lens	Option Control Receptacle	Option Control	Option Fuse	Option Decorative Ring	Option GFI	Option Terminal Block	Option House Side Shield	Arm See Arm Spec Sheets	Pole See Pole Spec Sheets	Finish

### Mounting Configuration

(Click here to link to mounting configuration specification page)

- 1W            • 2A            • 3A90            • 1AM
- PT            • 2A90            • 3APT            • 2AM
- 1A            • 2APT            • 4A            • 450PB
- 1APT            • 3A            • 4APT

W = Wall Mount    PT = Post Top    A = Arm Mount    AM = Arm Mid-Mount    PB = Pier Base

### Fixture

- A85LED            • A85SRLED

### Fitter

- 5P<sup>1</sup>            • 99<sup>1</sup>            • 995<sup>1</sup>            • OL3
- 73            • 992<sup>1</sup>            • BD4            • OL4
- 74            • 993<sup>1</sup>            • BD5            • 588
- 990<sup>1</sup>            • 994<sup>1</sup>            • BD7            • C2097<sup>1,2</sup>

<sup>1</sup> Add "T" after fitter designation for optional "Twist-lock" fitter.  
<sup>2</sup> Consult factory for use on concrete poles.

### LED

- 4L

### CCT - Color Temperature (K)

- 27(00)    • 30(00)    • 40(00)    • 50(00)

### Type

- T3            • T4            • T5

### Driver

- MDL02 (120v-277v, 250mA)
- MDL03 (120v-277v, 350mA)
- MDL05 (120v-277v, 500mA)
- MDL06 (120v-277v, 630mA)
- MDH02 (347v-480v, 250mA)
- MDH03 (347v-480v, 350mA)
- MDH05 (347v-480v, 500mA)
- MDH06 (347v-480v, 630mA)

### Lens

- A (Acrylic Lens)

### Options (Click here to view accessories sheet)

- R<sup>3</sup> 3-Pin control receptacle only
- R5<sup>3</sup> 5-Pin control receptacle only
- R7<sup>3</sup> 7-Pin control receptacle only
- PE<sup>4</sup> Twist-Lock Photocontrol (120v-277v)

- PE<sup>3</sup> Twist-Lock Photocontrol (347v)
- PE<sup>4</sup> Twist-Lock Photocontrol (480v)
- SC<sup>4</sup> Shorting Cap
- PEC Electronic Button Photocontrol (120v-277v)
- PEC4 Electronic Button Photocontrol (480v)
- FHD<sup>5</sup> Double Fuse and Holder
- CDR Cast Decorative Ring
- CDRCL<sup>6</sup> Cast Decorative Ring with Custom Logo
- PBDR<sup>7</sup> Perforated Brass Decorative Ring
- GFI<sup>3</sup> 15A Duplex GFI for Utility Fitter
- TB<sup>3</sup> Terminal Block
- HSS 120° House Side Shield

<sup>3</sup> For 900 series utility fitter only.  
<sup>4</sup> Requires control receptacle.  
<sup>5</sup> Ships loose for installation in base.  
<sup>6</sup> Consult factory for specification details.  
<sup>7</sup> Standard is polished, for painted ring specify PBDR-P.

### Arm (Click here to link to arm specification page)

See Arms & Wall Brackets specification sheets.

- 50    • 478    • 80    • 55    • 6236    • TA    • BA
- 78    • 70    • 480    • 779    • 579    • TASC

### Pole (Click here to link to pole specification page)

See Pole specification sheets.

### Finish

#### Standard Finishes<sup>8</sup>

- BKT Black Textured
- WHT White Textured
- PGT Park Green Textured
- ABZT Architectural Medium Bronze Textured
- DBT Dark Bronze Textured

<sup>8</sup> Smooth finishes are available upon request

#### Custom Finishes<sup>9</sup>

- OI Old Iron
- RT Rust
- WBR Weathered Brown
- CD Cedar
- WBK Weathered Black
- TT Two Tone

<sup>9</sup> Custom colors require upcharge.

#### Sternberg Select Finishes

- VG Verde Green
- SI Swedish Iron
- OWGT Old World Gray Textured

## Specifications

### Fixture

The Yorktown series is a classic shape acorn fixture which consists of a decorative cast aluminum fitter and multi-piece acorn. The top portion of the textured DR Acrylic acorn shall be securely joined to the lower high efficiency prismatic acrylic acorn. It shall be appointed with a cast aluminum decorative 4-vane finial. The Luminaire shall be UL listed in US and Canada.

### Fitter - Standard

The fitter shall be heavy wall cast aluminum, 356 alloy for high tensile strength. It shall have an 8-1/2" inside diameter opening to attach to the 8" neck of the acorn globe. When ordered with a Sternberg aluminum pole, the fitter shall be welded to the pole top or tenon for safety and to ensure the fixture will be plumb, secure and level over the life of the installation. The fitter shall have a one-piece ring bug gasket to resist insect penetration into lamp assembly.

### 900 Series Utility Fitter Option

The fitter shall be heavy wall cast aluminum, 360 die cast alloy for high tensile strength. It shall have a 9-1/4" inside diameter opening to attach to the 8" neck of the acorn globe. It shall have a hinged, tool-less entry door that provides open access to all of the components. The 900 series shall have an optional terminal block for ease of wiring, an optional Twist-Lock Photocontrol receptacle, an optional single GFCI outlet for auxiliary power needs. The top mounted driver mounting plate shall be cast aluminum and provide tool-less removal from the housing using 2 finger latches. The fitter shall have a one-piece ring gasket to resist insect penetration into globe assembly. When supplied with GFCI receptacle a hole will be provided for cord and plug installation with the access door closed. When cord and plug is not in use a filler plug will be provided and shall be tethered to the fitter for easy recovery and installation.

See next page

# A85LED/A85SRLED YORKTOWN SERIES

LED

## Twist-Lock Fitter (Optional)

The TL (Twist-Lock) fitter shall have an aluminum die-cast twist-lock mechanism. The tool-less 1/4 turn action allows for easy globe removal and replacement. A die-cast ring assembly is mechanically attached to the globe and is removable if the globe is broken or replaced.

## LED's

The luminaire shall use high output, high brightness LED's. The Chip on Board (COB) LED components are mounted to vertical heat sinks. The LED's and printed circuit boards shall be 100% recyclable; they shall also be protected from moisture and corrosion by a conformal coating of 1 to 3 mils. They shall not contain lead, mercury or any other hazardous substances and shall be RoHS compliant. The LED life rating data shall be determined in accordance with IESNA LM-80. The High Performance white LED's will have a life expectancy of approximately 100,000 hours with not less than 70% of original brightness (lumen maintenance), rated at 25°C. The High Brightness, High Output LED's shall be 4000K (2700K, 3000K, 3500K or 5000K option) color temperature with a minimum CRI of 70. Consult factory for custom color CCT. The luminaire shall have a minimum \_\_\_\_\_ (see table) delivered initial lumen rating when operated at steady state with an average ambient temperature of 25°C (77°F).

## Optics

The luminaire shall be provided with refractor type optics from external prismatic acorn. Testing shall be done in accordance with IESNA LM-79.

## Electronic Drivers

The LED driver shall be U.L. Recognized. It shall be securely mounted inside the fixture, for optimized performance and longevity. It shall be supplied with a quick-disconnect electrical connector on the power supply, providing easy power connections and fixture installation. It shall have overload as well as short circuit protection, and have a DC voltage output, constant current design, 50/60HZ. It shall be supplied with line-ground, line-neutral and neutral-ground electrical surge protection in accordance with IEEE/ANSI C62.41.2 guidelines. It shall be dimmable using a 0-10v signal.

**For sources over 50w:** The driver shall have a minimum efficiency of 90%. The driver shall be rated at full load with THD<20% and a power factor of greater than 0.90. The driver shall contain over-heat protection

**For sources under 50w:** The driver shall have a minimum efficiency of 88%.

## Photocontrols

**Button Style:** On a single assembly the photocontrol shall be mounted on the fixture and pre-wired to driver. On multiple head assembly's the photocontrol shall be mounted in the pole shaft on an access plate. The electronic button type photocontrol is instant on with a 5-10 second turn off, and shall turn on at 1.5 footcandles with a turn-off at 2-3 footcandles. Photocontrol is 120-277 volt and warranted for 6 years.

**Twist-Lock Style:** The photocontrol shall be mounted in the utility fitter and pre-wired to driver. The twist lock type photocontrol is instant on with a 3-6 second turn off, and shall turn on at 1.5 footcandles with a turn-off at 2-3 footcandles. Photocontrol is 120-277 volt and warranted for 6 years.

## Warranty

Seven-year limited warranty. See product and finish warranty guide for details.

## Finish

Refer to website for details.

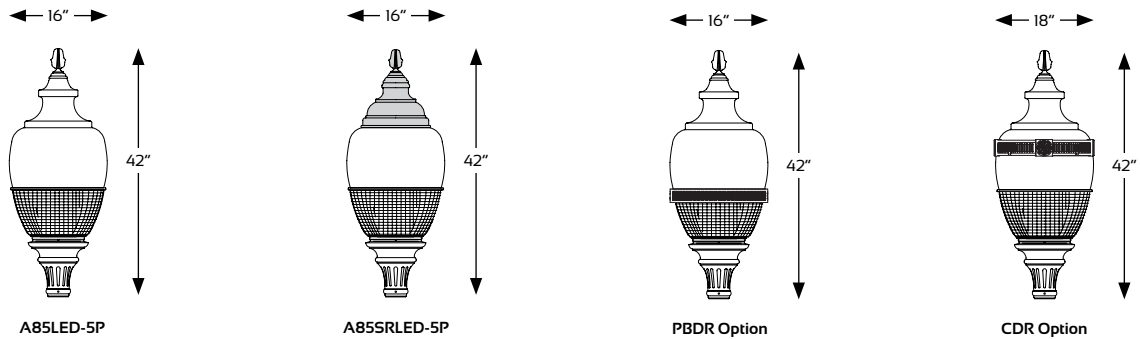
## Performance

LIGHT SOURCE	T3 INITIAL LUMENS	EFFICACY (LPW)	T4 INITIAL LUMENS	EFFICACY (LPW)	T5 INITIAL LUMENS	EFFICACY (LPW)	WATTAGE
4L27T_-MDL06	8475	86.5	7695	78.5	7890	80.5	98
4L30T_-MDL06	9360	95.5	8495	86.7	8715	88.9	98
4L40T_-MDL06	9670	98.7	8780	89.6	9005	91.9	98
4L27T_-MDL05	6985	93.1	6395	85.3	6465	86.2	75
4L30T_-MDL05	7715	102.9	7065	94.2	7140	95.2	75
4L40T_-MDL05	7970	106.3	7300	97.3	7380	98.4	75
4L27T_-MDL03	5475	99.5	5025	91.4	5055	91.9	55
4L30T_-MDL03	6050	110.0	5550	100.9	5580	101.5	55
4L40T_-MDL03	6250	113.6	5735	104.3	8765	104.8	55
4L27T_-MDL02	4050	101.3	3725	93.1	3735	93.4	40
4L30T_-MDL02	4475	111.9	4115	102.9	4125	103.1	40
4L40T_-MDL02	4620	115.5	4250	106.3	4265	106.6	40

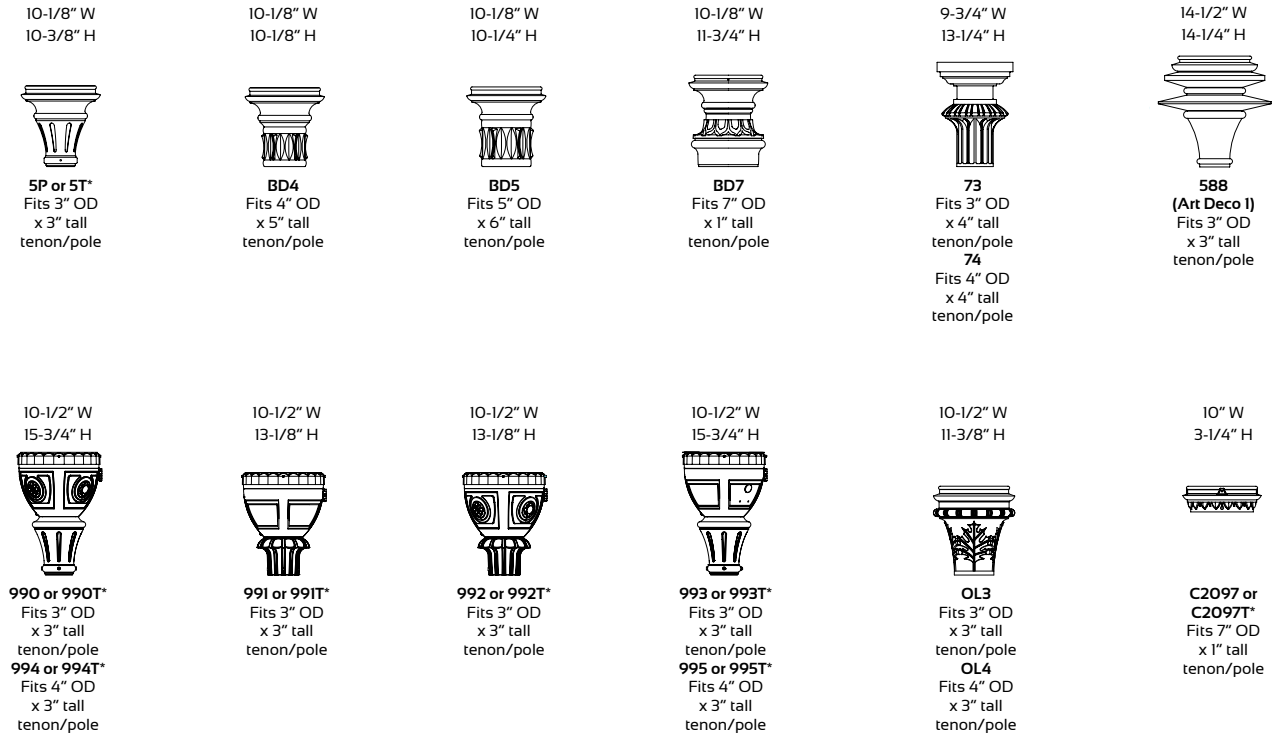
# A85LED/A85SRLED YORKTOWN SERIES

LED

## Fixtures



## Fitters



\*Twist Lock Acorn (Fitter TL)