



A780/A780B CAMBRIDGE & FRISCO SERIES

HID

EPA 2.03 (ft²)
WEIGHT 22 LBS

5 YEAR WARRANTY

UL LISTED

CLICK FOR FAQ'S

JOB NAME _____

FIXTURE TYPE _____

MEMO _____

BUILD A PART NUMBER

ORDERING EXAMPLE: **2A-A780-5P-100HPS120-MED-RO5-A-PEC-FHS/50PM/4414FP4/SCC/BKT**

Mounting Config.	Fixture	Fitter	Ballast	Volts	Socket	Optic	Lens	Option Control Receptacle	Option Control	Option Fuse	Option Ring	Option GFI	Option Term. Block	Option House Side Shield	Option Chimney	Lamps See Lamp Spec Sheet	Arm See Arm Spec Sheets	Pole See Pole Spec Sheets	Finish

Mounting Configuration

(Click here to view mounting configuration sheet)

- 1W • 2A • 3A90 • 1AM
- PT • 2A90 • 3APT • 2AM
- 1A • 2APT • 4A • 450PB
- 1APT • 3A • 4APT

W = Wall Mount PT = Post Top A = Arm Mount AM = Arm Mid-Mount PB = Pier Base

Fixture

- **A780** Cambridge
- **A780B** Frisco

Fitter

- 5P • 992 • 995 • BD7 • C2097
- 990 • 993 • BD4 • OL3
- 991 • 994 • BD5 • OL4

Ballast^{1,2}

- 35HPS³ • 70MHP • 42CFL
- 50HPS • 100MHP • 57CFL
- 70HPS • 150MHP • 70CFL
- 100HPS • 200MHP • INCAND (150w max)
- 150HPS • 250MHP
- 250HPS • 26CFL
- 50MHP • 32CFL

¹ Medium base sockets standard with ballasts up to 150 watts. Mogul base sockets are standard with ballasts 200 watts and over. 4-PIN for CFL.

² Metal halide systems are pulse start.

³ 35HPS is 120 volt only.

Volts

- 120 • 208 • 240 • 277 • 347 • 480

Socket

- MED • MOG • 4P (4-PIN)

Optic

- NONE • LO3 • RO3 • ALZAK
- RE3 • LO5 • RO5 • HSS
- RE5 • RO2

Lens

- A (Acrylic)

Options (Click here to view accessories sheet)

- R⁴ 3-Pin control receptacle only
- PE⁵ Twist-Lock Photocontrol (120v-277v)
- PE³ Twist-Lock Photocontrol (347v)

- PE⁴ Twist-Lock Photocontrol (480v)
- SC⁵ Shorting Cap
- PEC Electronic Button Photocontrol (120v & 277v)
- PEC4 Electronic Button Photocontrol (480v)
- FHS⁶ Single Fuse & Holder (120v & 277v)
- FHD⁶ Double Fuse & Holder (208v, 240v & 480v)
- CL Custom Logo on Decorative Ring
- C⁴ 15A Duplex GFI for Utility Fitter
- TB⁴ Terminal Block
- HSS 120° House Side Shield
- FHC⁷ Frosted Hurricane Chimney
- LAMPS See Lamp Spec Sheet

⁴ For 900 series utility fitter only.

⁵ Requires control receptacle.

⁶ Ships loose for installation in base.

⁷ Not for use with MOG socket when housing lamp.

Arm (Click here to view arm website page)

See Arms & Wall Brackets specification sheets.

- 50 • 478 • 80 • 55 • 6236 • TA • BA
- 78 • 70 • 480 • 779 • 579 • TASC

Pole (Click here to view pole website page)

See Pole specification sheets.

Finish (Click here to view paint finish sheet)

Standard Finishes⁸

- BKT Black Textured
- WHT White Textured
- PGT Park Green Textured
- ABZT Architectural Medium Bronze Textured
- DBT Dark Bronze Textured

⁸ Smooth finishes are available upon request.

Custom Finishes⁹

- CM Custom Match
- OI Old Iron
- RT Rust
- WBR Weathered Brown
- CD Cedar
- WBK Weathered Black
- TT Two Tone

⁹ Custom colors require upcharge.

Sternberg Select Finishes

- VG Verde Green
- SI Swedish Iron
- OWGT Old World Gray Textured

Specifications

Fixture

The A780 Cambridge fixture shall be 18" in diameter and 40-1/2" tall. The A780B Frisco fixture shall be 18" in diameter and 38" tall. Its basket shall be made up of a 15" tall decorative cast aluminum slotted band with 4 decorative cast "Y" shaped support legs. The band shall have four cast medallions finished in accent gold. Also available are custom medallions (CL) on the slotted band that can be specified with a name, initial or logo. The roof shall be made of spun aluminum and hinged for lamp access. The lens shall be made of dent resistant (DR) clear acrylic. The Luminaire shall be UL listed in US and Canada.

Fitter - Standard

The fitter shall be heavy wall cast aluminum, 356 alloy for high tensile strength. It shall have an 8-1/2" inside diameter opening to attach to the 8" neck of the acorn globe. When ordered with a Sternberg aluminum pole, the fitter shall be welded to the pole top or tenon for safety and to ensure the fixture will be plumb, secure and level over the life of the installation. The fitter shall have a one-piece ring bug gasket to resist insect penetration into lamp assembly.

900 Series Utility Fitter Option

The fitter shall be heavy wall cast aluminum, 360 die cast alloy for high tensile strength. It shall have a 9-1/4" inside diameter opening to attach to the 8" neck of the acorn globe. It shall have a hinged, tool-less entry door that provides open access to all of the components. The 900 series shall have an optional terminal block for ease of wiring, an optional Twist-Lock Photocontrol receptacle, an optional single GFCI outlet for auxiliary power needs. The top mounted ballast mounting plate shall be cast aluminum and provide tool-less removal from the housing using 2 finger latches. When ordered with a Sternberg aluminum pole, the fitter shall be set screwed to the pole top or tenon. The fitter shall have a one-piece ring bug gasket to resist insect penetration into lamp assembly. When supplied with GFI receptacle a hole will be provided for cord and plug installation with the access door closed. When cord and plug is not in use a filler plug will be provided and shall be tethered to the fitter for easy recovery and installation. *See next page*

Electrical

Fixture shall be UL listed in US and Canada. HID ballasts shall be high power factor with lamp starting down to -30 degrees C. Medium base and mogul base porcelain sockets are 4KV rated. The ballast/socket assembly shall be pre-wired when ballast is located in the fitter. Ballasts shall be DOE EISA compliant.

Optical Options

Refractors shall be borosilicate glass with an IES type 3 or 5 distribution, using a vertically mounted lamp. It shall be secured to the socket/stem with 3/8" plated steel threaded pipe nipple and rest on a cast aluminum holder with anti-shock gasket. The refractor will be secured to cast holder with a quarter-turn internal aluminum twist ring for ease of maintenance.

Alzak Disk shall be an optical shield to help direct light downward. It shall be 7" diameter and made of specular reflective aluminum and mounted directly above a vertically mounted lamp.

NIGHTSKY® OPTI-SHIELD® Louver Optic System shall be a multi-tier reflector with 7" diameter rings to produce an IES cut-off type 3 or 5 distribution. The Louver optic System shall be made of highly specular anodized aluminum and shall come standard with medium base socket.

NIGHTSKY® STAR-SHIELD® Roof Optics shall be a roof mounted reflector systems which eliminate up light and provide cut-off distribution. The reflector cavity shall be made of a multi-segmented reflector, with semi specular finish. Distribution types 2, 3 and 5 are available with a horizontally mounted lamp.

Frosted Hurricane Chimney shall be a frosted glass element which adds an authentic touch. It can be used to house a lamp with a medium base socket, or as an additional aesthetic feature used in conjunction with a roof optic system.

House Side Shield shall be an additional optic used to block 120° of light in any one direction.

Lens

Material is DR Acrylic. An injection molding process adds textured surface for glare mitigation, even wall thickness and impact resistance.

Photocontrols

Button Style: On single post top fixtures the photocontrol shall be mounted in the fitter and pre-wired to ballast. On multiple head fixture assembly's photocontrol shall be mounted in the pole shaft on an access plate and are not pre-wired as ballast housing assemblies and fitters are packaged separately for ease of wiring to source. The electronic button type photocontrol is instant on with a 5-10 second turn off, and shall turn on at 1.5 footcandles with a turn-off at 2-3 footcandles. Photocontrol is 120-277 volt and warranted for 6 years.

Twist-Lock Style: The photocontrol shall be mounted in the utility fitter and pre-wired to ballast. The twist lock type photocontrol is instant on with a 3-6 second turn off, and shall turn on at 1.5 footcandles with a turn-off at 2-3 footcandles. Photocontrol is 120-277 volt and warranted for 6 years.

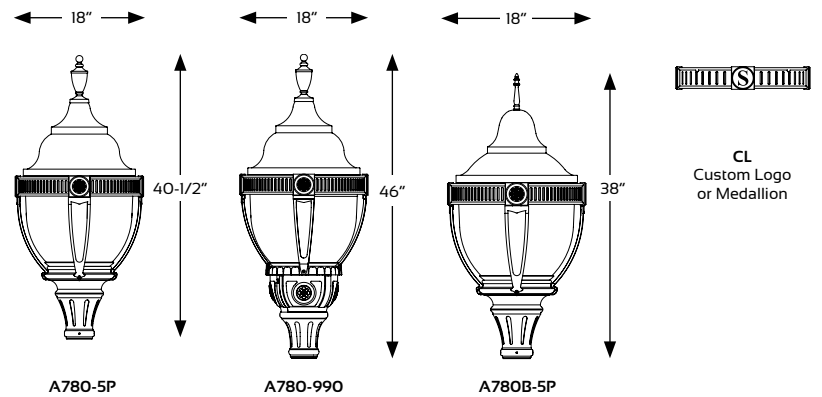
Warranty

Five-year limited warranty. See product and finish warranty guide for details.

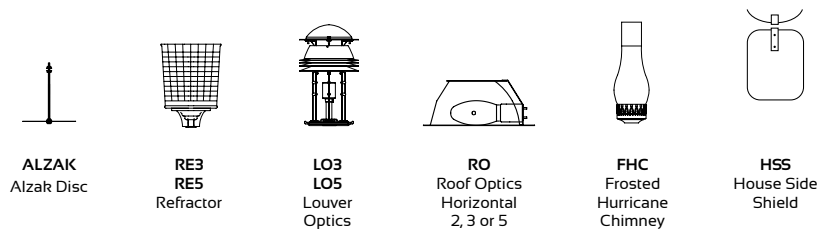
Finish

Refer to website for details.

Fixtures



Optical Systems



Fitters

