

LED



1940LED Glenview 1950LED Mission Trails

EPA
0.79 (ft²)
0.83 (ft²)
WEIGHT
37 LBS
34.5 LBS

7 YEAR
WARRANTY

LUMEN
RANGE
18,050
to 3,820

LUMEN
MAINTENANCE
L70
MINIMUM
100,000
HOURS

UL
LISTED

CLICK
FOR FAQ'S

IP RATING

JOB NAME

FIXTURE TYPE

MEMO

BUILD A PART NUMBER

ORDERING EXAMPLE: **2A-1940LED-1L40T5-MDLO6-SG-FHD/478PM/3810FP4/BKT**

Mounting Config.	Fixture	LED	CCT	Type	Driver	Lens	Option Control Receptacle	Option Control	Option Fuse	Option Hangstraight	Option House Side Shield	Arm See Arm Spec Sheets	Pole See Pole Spec Sheets	Finish

Mounting Configuration

(Click here to view mounting configuration sheet)

- IW • 3A • 2AM
- 1A • 3A90 • SH44¹
- 2A • 4A • CH44¹
- 2A90 • 1AM • CAT

W = Wall Mount A = Arm Mount AM = Arm Mid-Mount
SH = Stem Hung CH = Chain Hung CAT = Catenary

¹ Include overall drop length in inches after designation for Stem/Chain application (IE: CH44-48").

Fixture

- 1940LED • 1950LED

LED

- 1L • 2L

CCT - Color Temperature (K)

- 27(00) • 30(00) • 35(00) • 40(00) • 50(00)

Type

- T2 • T3 • T4 • T5

Driver

- MDLO6 (120V-277V, 600mA) (1L system only)
- MDH06 (347V-480V, 600mA)
- MDLO8 (120V-277V, 800mA) (2L system only)
- MDH08 (347V-480V, 800mA)
- MDLO9 (120V-277V, 900mA) (1L system only)
- MDH09 (347V-480V, 900mA)
- MDL10 (120V-277V, 1050mA) (2L system only)
- MDH10 (347V-480V, 1050mA)
- MDL12 (120V-277V, 1200mA) (1L or 2L system)
- MDH12 (347V-480V, 1200mA)
- MDL14 (120V-277V, 1400mA) (2L system)
- MDH14 (347V-480V, 1400mA)

Lens

- SG (Sag Glass)
- FSG (Frosted Sag Glass)
- FG (Flat Glass)
- FFG (Frosted Flat Glass)
- SV1 (Flat Acrylic)
- SV2 (Flat Acrylic)

Options (Click here to view accessories sheet)

- R7² 7-Pin Control Receptacle Only
- PE³ Twist-Lock Photocontrol (120V-277V)
- PE4³ Twist-Lock Photocontrol (347V-480V)
- SC³ Shorting Cap
- PEC Electronic Button Photocontrol (120V-277V)
- PEC4 Electronic Button Photocontrol (480V)
- FHD⁴ Double Fuse and Holder
- HSHS Standard Horizontal Hangstraight, Spike Finial
- HSHN Standard Horizontal Hangstraight, No Finial
- HSHB Standard Horizontal Hangstraight, Ball Finial
- EZ Vertical Hangstraight, Large, "EZ" Mount
- HSS 120° House Side Shield

² Only available with HSH_.

³ Requires control receptacle.

⁴ Ships loose for installation in base.

Arm (Click here to view arm website page)

See Arms & Wall Brackets specification sheets.

- 478 • 480 • 1080 • 1082 • 1085 • 1087 • R2⁵

⁵ Luminaires above grade height to be 2' higher than pole height, REQUIRES "EZ" hangstraight.

Pole (Click here to view pole website page)

See Pole specification sheets.

Finish (Click here to view paint finish sheet)

Standard Finishes⁶

- BKT Black Textured
- WHT White Textured
- PGT Park Green Textured
- ABZT Architectural Medium Bronze Textured
- DBT Dark Bronze Textured

⁶ Smooth finishes are available upon request.

Custom Finishes⁷

- CM Custom Match
- OI Old Iron
- RT Rust
- WBR Weathered Brown
- CD Cedar
- WBK Weathered Black
- TT Two Tone

⁷ Custom colors require upcharge.

Sternberg Select Finishes

- VG Verde Green
- SI Swedish Iron
- OWGT Old World Gray Textured

Specifications

Fixture

The 1940/1950 series is a decorative pendant luminaire which consists of a decorative cast aluminum fitter, and heavy gauge spun aluminum shade with integral lens frame. The optical enclosure is sealed against moisture and dust penetration, IP66 rated per IEC 60598. The luminaire shall be UL listed in US and Canada.

LEDs

The luminaire shall use high output, high brightness COB LEDs. The LEDs are mounted to maximize thermal transfer to the heat sink surface. The LEDs shall be 100% recyclable; not contain lead, mercury or any other hazardous substances and shall be RoHS compliant. The LEDs shall be roof mounted to minimize up-light. Lumen maintenance shall be determined in accordance with IESNA TM-21, based on LED manufacturer LM-80 test data of no less than 6,000 hours and in-situ testing of the luminaire by an NVLAP accredited Energy Efficient Lighting Products lab. The high-performance white LEDs will have a predicted lumen depreciation of approximately 100,000 hours with greater than 70% of initial output at 25°C. The high-brightness, high-output white LEDs shall be 4000K nominal (2700K, 3000K, 3500K or 5000K optional) correlated color temperature (CCT) with a 70 (minimum) color rendering index (CRI). Consult factory for custom CCT or CRI. The luminaire shall have a minimum _____ (see table) delivered initial lumens when operated at steady state with an average ambient temperature of 25°C (77°F).

Optics

The luminaire shall be provided with individual, refractor type optics applied to each LED. The luminaire shall provide Type ____ (2, 3, 4 or 5)

See next page



SternbergLighting

ESTABLISHED 1923

800-621-3376
555 Lawrence Ave., Roselle, IL 60172
contactus@sternberglighting.com
www.sternberglighting.com

1940LED Glenview / 1950LED Mission Trails



light distribution per the IESNA classifications. Testing shall be done in accordance with IESNA LM-79.

Electronic Driver

The LED driver shall be U.L. Recognized. It shall be securely mounted inside the fixture, for optimized performance and longevity. It shall be supplied with a quick-disconnect electrical connector on the power supply, providing easy power connections and fixture installation. It shall have overload, overheat and short circuit protection, and have a DC voltage output, constant current design, 50/60HZ. It shall be supplied with line-ground, line-neutral and neutral-ground electrical surge protection in accordance with IEEE/ANSI C62.41.2 guidelines. It shall be a high efficiency driver with a THD less than 20% and a high power factor greater than .9. It shall be dimming capable using a 0-10v signal, consult factory for more information.

Lens

Materials include Glass, Acrylic or Polycarbonate.

Photocontrols

Button Style: On a single assembly the photocontrol shall be mounted on the fixture and pre-wired to driver. On multiple head assembly's the photocontrol shall be mounted in the pole shaft on an access plate. The electronic button type photocontrol is instant on with a 5-10 second turn off, and shall turn on at 1.5 footcandles with a turn-off at 2-3 footcandles. Photocontrol is 120-277 volt and warranted for 6 years.

Twist-Lock Style: The photocontrol shall be mounted on the hang-straight and pre-wired to driver. The twist lock type photocontrol is instant on with a 3-6 second turn off, and shall turn on at 1.5 footcandles with a turn-off at 2-3 footcandles. Photocontrol is 120-277 volt and warranted for 6 years.

Warranty

Seven-year limited warranty. See product and finish warranty guide for details.

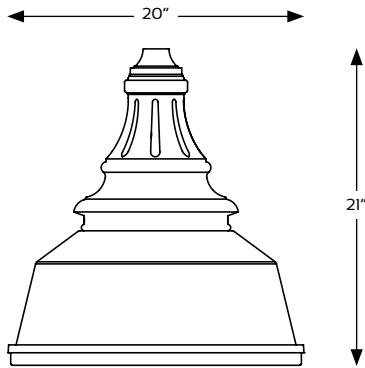
Finish

Refer to website for details.

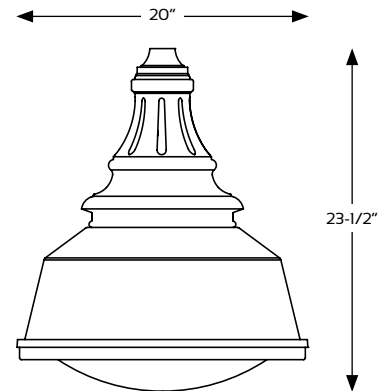
Performance - 1940LED/1950LED

MODEL #	T2 LUMENS	BUG	EFFICACY (LPW)	T3 LUMENS	BUG	EFFICACY (LPW)	T4 LUMENS	BUG	EFFICACY (LPW)	T5 LUMENS	BUG	EFFICACY (LPW)	WATTS
2L40T_-MDL14	17445	B3U0G3	111.8	17370	B3U0G3	111.3	17580	B3U0G2	112.7	18050	B4U0G2	115.7	156
2L30T_-MDL14	17000	B3U0G3	109.0	16925	B3U0G3	108.5	17130	B3U0G2	109.8	17590	B4U0G2	112.8	156
2L27T_-MDL14	15445	B3U0G3	99.0	15380	B3U0G3	98.6	15565	B3U0G2	99.8	15980	B4U0G2	102.4	156
2L40T_-MDL12	15370	B3U0G3	115.6	15275	B3U0G3	114.8	15505	B3U0G2	116.6	15880	B4U0G2	119.4	133
2L30T_-MDL12	14980	B3U0G3	112.6	14885	B3U0G3	111.9	15110	B3U0G2	113.6	15475	B4U0G2	116.4	133
2L27T_-MDL12	13610	B3U0G3	102.3	13525	B3U0G3	101.7	13725	B3U0G2	103.2	14060	B4U0G2	105.7	133
2L40T_-MDL10	13130	B3U0G3	118.3	13045	B3U0G3	117.5	13230	B3U0G2	119.2	13560	B3U0G2	122.2	111
2L30T_-MDL10	12795	B3U0G3	115.3	12715	B3U0G3	114.5	12895	B3U0G2	116.2	13215	B3U0G2	119.1	111
2L27T_-MDL10	11625	B3U0G3	104.7	11550	B3U0G3	104.1	11715	B3U0G2	105.5	12005	B3U0G2	108.2	111
2L40T_-MDL08	10700	B2U0G2	121.6	10655	B2U0G2	121.1	10805	B2U0G2	122.8	11065	B3U0G2	125.7	88
2L30T_-MDL08	10425	B2U0G2	118.5	10385	B2U0G2	118.0	10530	B2U0G2	119.7	10785	B3U0G2	122.6	88
2L27T_-MDL08	9475	B2U0G2	107.7	9435	B2U0G2	107.2	9565	B2U0G2	108.7	9795	B3U0G2	111.3	88
1L40T_-MDL12	7880	B2U0G2	112.6	7825	B2U0G2	111.8	7850	B2U0G1	112.1	8170	B3U0G1	116.7	70
1L30T_-MDL12	7680	B2U0G2	109.7	7625	B2U0G2	108.9	7650	B2U0G1	109.3	7960	B3U0G1	113.7	70
1L27T_-MDL12	6975	B2U0G2	99.6	6930	B2U0G2	99.0	6950	B2U0G1	99.3	7235	B3U0G1	103.4	70
1L40T_-MDL09	6400	B2U0G2	118.5	6345	B2U0G2	117.5	6370	B2U0G1	118.0	6630	B3U0G1	122.8	54
1L30T_-MDL09	6235	B2U0G2	115.5	6185	B2U0G2	114.5	6210	B2U0G1	115.0	6460	B3U0G1	119.6	54
1L27T_-MDL09	5665	B2U0G2	104.9	5620	B2U0G2	104.1	5640	B2U0G1	104.4	5870	B3U0G1	108.7	54
1L40T_-MDL06	4350	B1U0G1	120.8	4315	B1U0G1	119.9	4330	B1U0G1	120.3	4505	B2U0G1	125.1	36
1L30T_-MDL06	4240	B1U0G1	117.8	4205	B1U0G1	116.8	4220	B1U0G1	117.2	4390	B2U0G1	121.9	36
1L27T_-MDL06	3850	B1U0G1	106.9	3820	B1U0G1	106.1	3835	B1U0G1	106.5	3990	B2U0G1	110.8	36

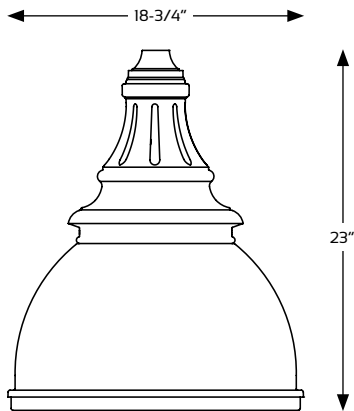
Fixtures



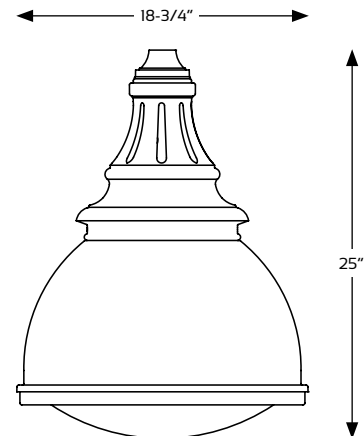
1940LED-FG



1940LED-SG



1950LED-FG



1950LED-SG



SternbergLighting

ESTABLISHED 1923

800-621-3376
555 Lawrence Ave., Roselle, IL 60172
contactus@sternberglighting.com
www.sternberglighting.com

4/22 STERNBERG LIGHTING. ALL RIGHTS RESERVED. PRINTED IN THE USA.